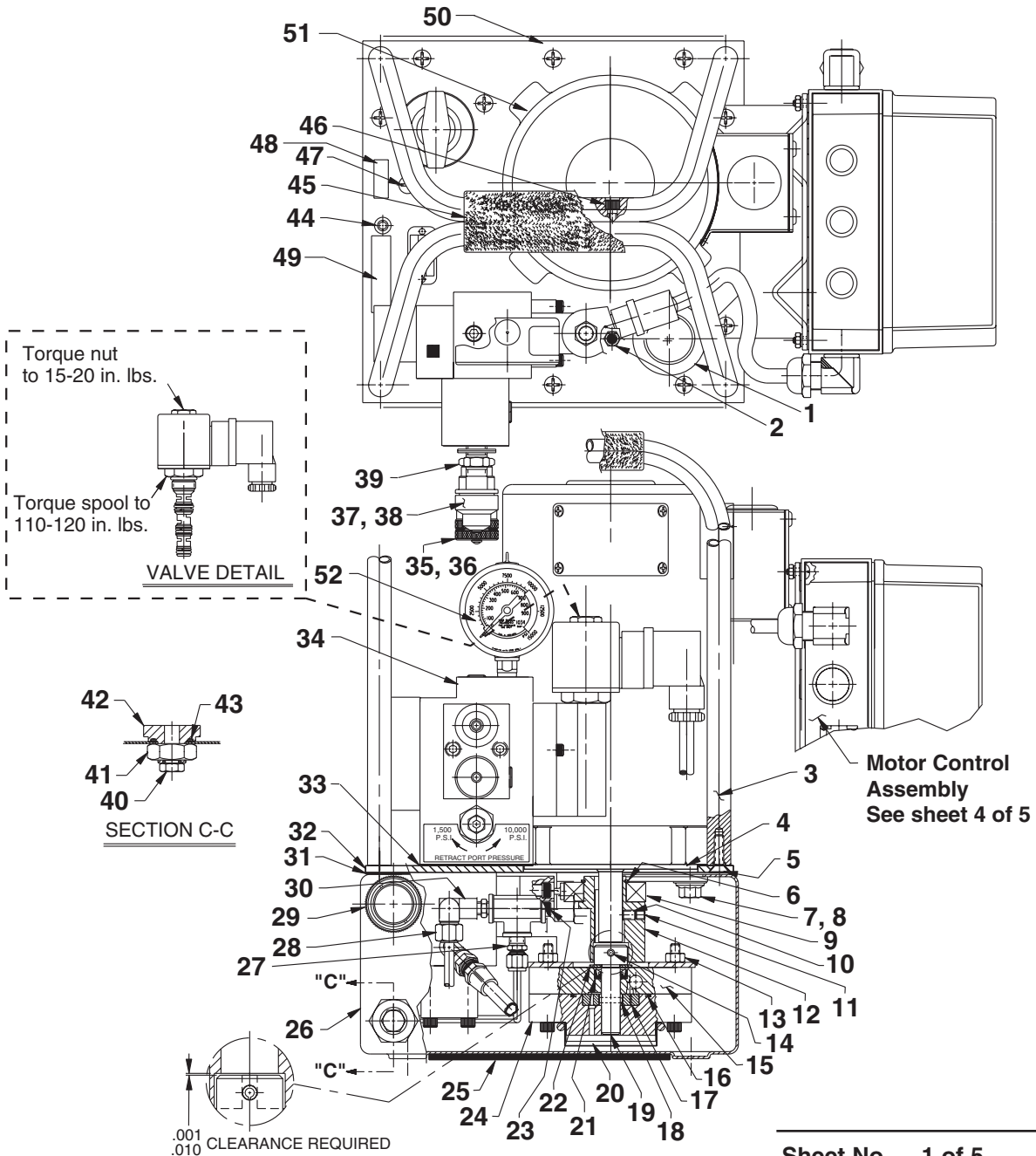


Parts List for:



PE30TWP-E110
PE30TWP-E220

MODEL B ELECTRIC HYDRAULIC PUMP Max. Capacity: 10,000 PSI

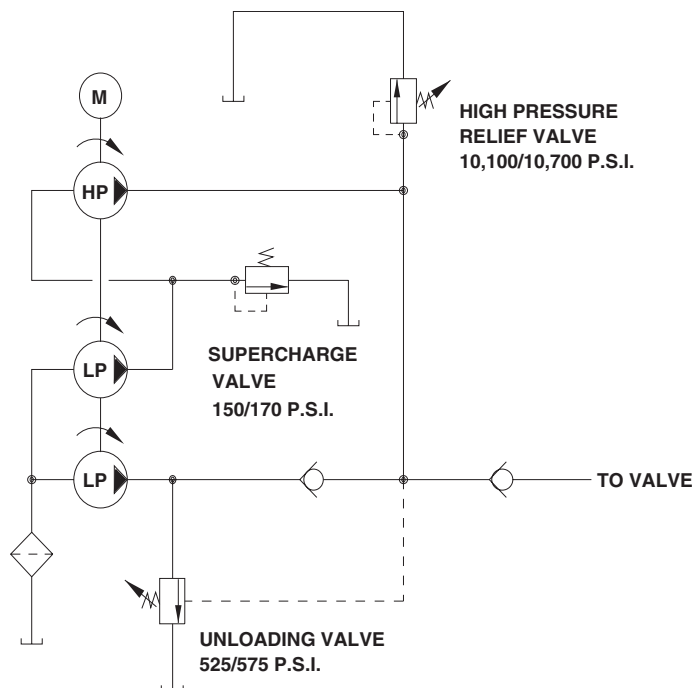


Motor Control
Assembly
See sheet 4 of 5

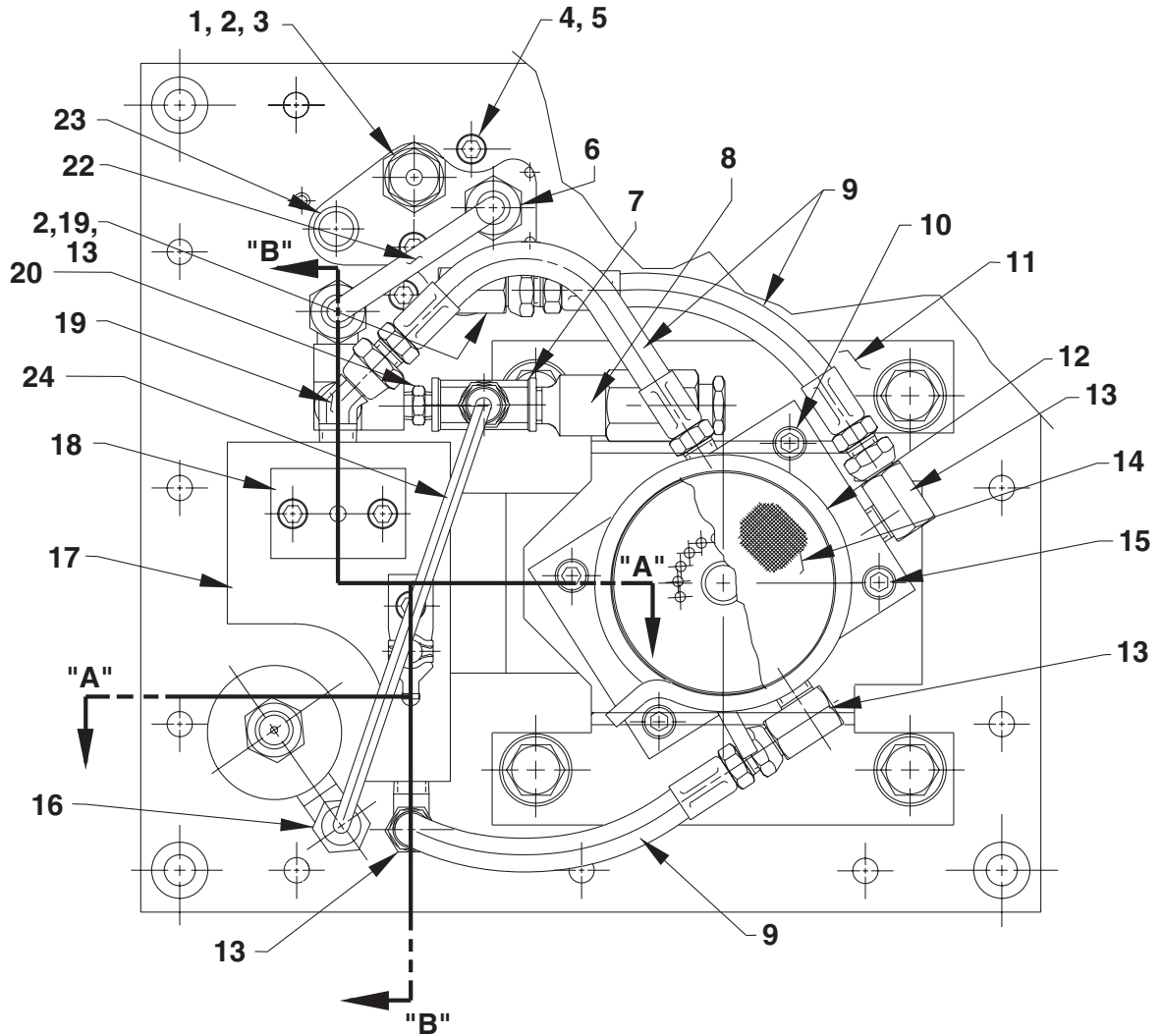
Parts List, Form No. 1000047CE, Back sheet 1 of 5

Item No.	Part No.	No. Req'd	Description	Item No.	Part No.	No. Req'd	Description
1	350925	1	Filler Cap	26	65126OR9	1	Reservoir
2	251599	1	Breather Filter Vent	27	14844	1	Straight Fitting
3	66408BK2	2	Roll Cage Frame	28	15052	1	90° Elbow Fitting
4	351060	1	Motor Base Gasket	29	17586	1	Sight Gauge
5	11529	4	Screw (1/4-20 UNC x 1" Lg.; Apply Loctite #242)	30	18969	1	Pipe Tee
6	209798	1	Retaining Ring	31	*58779	1	Gasket
7	213663	4	Cap Screw (3/8-16 UNC X 1" Lg.; Torque to 230/250 in. lbs.)	32	66039BK2	1	Cover Plate
8	10258	4	Washer (For 3/8 bolt)	33	351095	1	Valve Gasket
9	209805	1	Ball Bearing	34	421293BK	1	Valve Assembly (See Form No. 1000045)
10	10519	1	Set Screw (1/4-20 UNC x 3/8 Lg.; Torque to 60/80 in. lbs.)	35	251410	1	Coupler
11	10136	1	Set Screw (1/4-20 UNC X 1/4 Lg.; Torque to 60/80 in. lbs.)	36	252364	1	Dust Cap
12	420840	1	Eccentric	37	251411	1	Coupler
13	10199	2	Hex Nut (1/4-20 UNC)	38	252365	1	Dust Cap
14	12298	1	Roll Pin (3/16 dia. x 1-1/2" Lg.)	39	10672	1	Straight Fitting
15	65137	1	Upper Gerotor Housing	40	17147	1	Plug Fitting
16	10922	1	O-ring (2-1/8" X 1-15/16" X 3/32)	41	10396	1	Jam Nut (3/4-16 UNF)
17	304826	1	Gerotor	42	351000	1	Drain
18	209794	1	Gerotor Drive Pin	43	14725	1	O-ring (1-1/8" x 15/16 x 3/32)
19	350940	1	Gerotor Shaft	44	10177	12	Screw (1/4-20 x 3/4 Lg.)
20	21846	1	Filter Support	45	251600	1	Handle Grip
21	304830	1	Oil Seal	46	10008	2	Cap Screw (1/4-20 UNC x 3/4 Lg.)
22	12595	1	Washer (1-1/8" X 1/2" X .077 Thk.)	47	15911	3	Screw (1/4-20 x 5/8)
23	10022	4	Screw (1/4-20 UNC X 1-1/2" Lg.; Torque to 180/200 in. lbs.)	48	203972	1	Decal
24	64580	1	Lower Gerotor Housing	49	213695	1	Decal
25	420948	1	Rubber Pad (Apply 3M adhesive #08031 to reservoir and pad.)	50	309219CE	2	Decal
				51	351024	1	Decal
				52	9040	1	Gauge (10,000 psi 2-1/2" Dia.)

HYDRAULIC SCHEMATIC



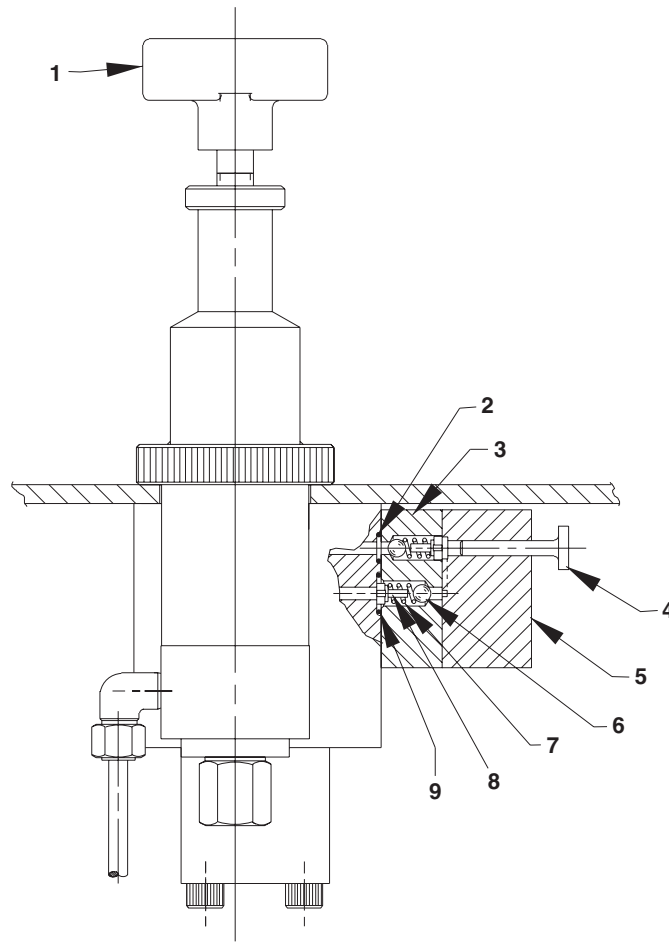
BOTTOM VIEW



Item No.	Part No.	No. Req'd	Description
1	251751	1	Pipe Fitting
2	18841	2	Fitting, Straight (1/8 NPTF)
3	21278-15	1	Relief Valve Assembly (Set at 1,500/1,700 PSI)
4	10008	3	Cap Screw (1/4-20 UNC X 5/8 Lg.)
5	10245	3	Washer
6	205793	1	Connector
7	215033	1	Elbow Fitting
8	21278	1	Relief Valve Assembly (Set at 10,100/10,700 PSI)
9	304819	3	Hose Assembly
10	10022	2	Screw (1/4-20 UNC X 1-1/2" Lg.; Torque to 60/80 in. lbs.)
11	58481	1	Gerotor Housing Bracket

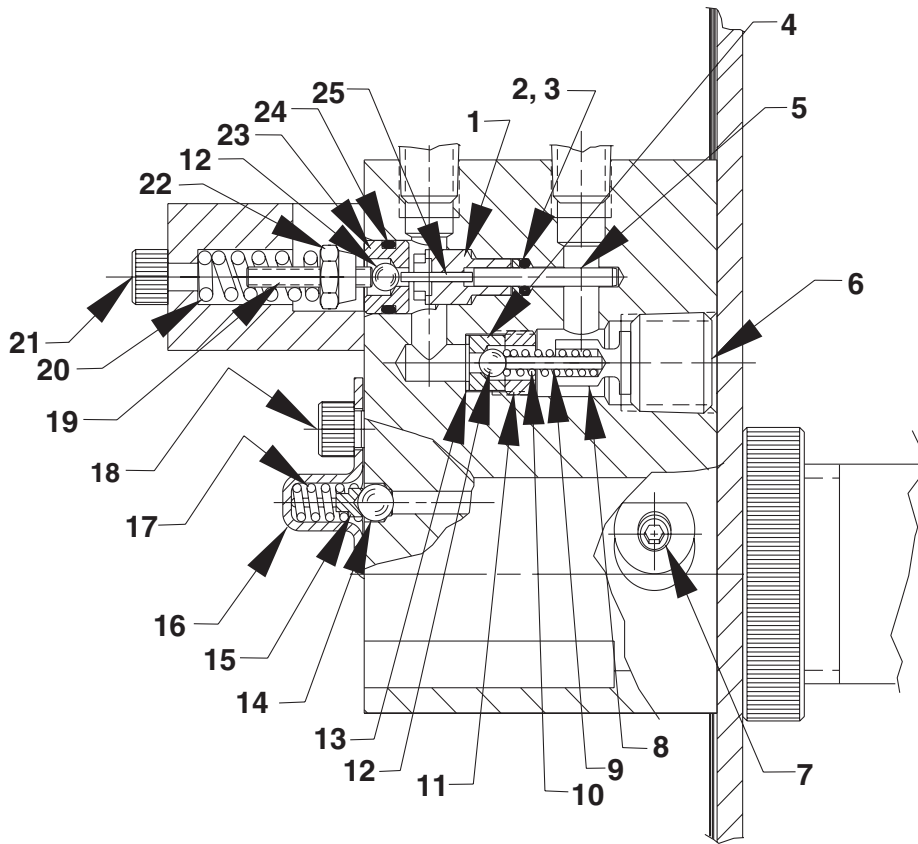
Item No.	Part No.	No. Req'd	Description
12	11461	1	Hose Clamp
13	14440	4	90° Elbow Fitting
14	21608	1	Filter
15	10890	2	Cap Screw (1/4-20 X 2" Lg.; Torque to 60/80 in. lbs.)
16	16177	1	90° Elbow Fitting
17	65128	1	Check Body
18	350930	1	Retaining Block
19	251800	1	Elbow Fitting
20	11421	2	Pipe Nipple
21	18841	1	Pipe Connector
22	252091	1	Oil Line Tube
23	250630	1	Drain Tube
24	252149	1	Oil Line Tube

SECTION A-A



Item No.	Part No.	No. Req'd	Description
1	420963	1	External Relief Valve (See Form No. 100046)
2	10265	1	O-ring (5/16 X 3/16 X 1/16)
3	45559	1	Block
4	305526	1	High Pressure Piston
5	45866	1	Block
6	12223	2	Ball (3/16 Dia.)
7	10445	2	Compression Spring (5/32 O.D. X 3/4 Lg.)
8	24549	2	Ball Guide
9	14763	1	O-ring (7/16 X 5/16 X 1/16)

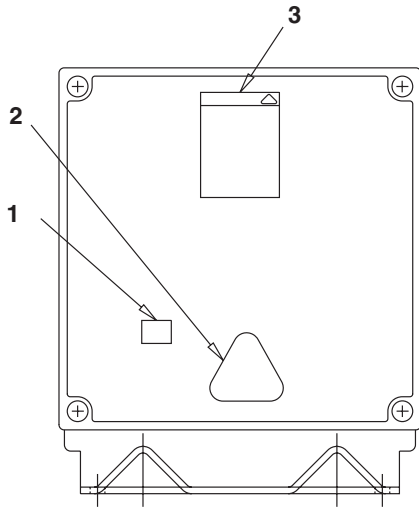
SECTION B-B



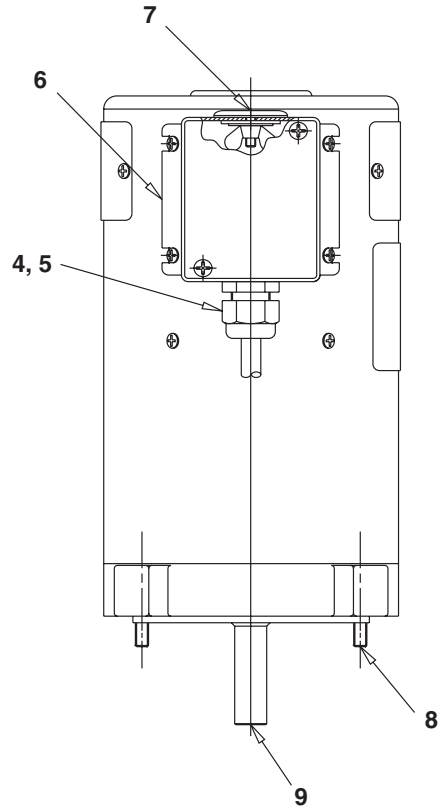
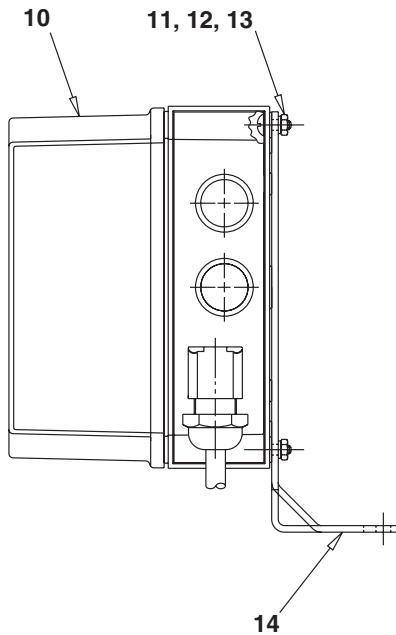
Item No.	Part No.	No. Req'd	Description
1	251068	1	Guide
2	17797	1	O-ring (1/4 X 1/8 X 1/16)
3	214992	1	Backup Ring
4	209787	1	Replaceable Seat
5	16471	1	Pin (Taper on pin should be away from guide [Item #1].)
6	14972	1	Pipe Plug (1/4 NPTF)
7	15130	1	Plug (1/16 NPTF)
8	202681	1	Ball Stop
9	10895	1	Roll Pin (.13 X .75)
10	250227	1	Compression Spring (3/16 O.D. X 3/8 Lg.)
11	209797	1	Hollow Lock Screw (7/16-20 UNF-3A; Torque to 110/130 in. lbs.)
12	12223	2	Ball (3/16 Dia.)
13	10442	1	Washer (3/8 X 1/4 X 1/32)

Item No.	Part No.	No. Req'd	Description
14	10374	1	Steel Ball (7/32 Dia.)
15	200796	1	Ball & Spring Adapter
16	350577	1	Spring Retainer
17	15691	1	Compression Spring (1/4 O.D. X 5/8 Lg.)
18	10002	1	Cap Screw (1/4-20 UNC X 3/8 Lg.; Torque 60/80 in. lbs.)
19	251067	1	Set Screw (Unloading valve; #10-24 UNC x 1" Lg.)
20	14484	1	Compression Spring (3/8 O.D. X 1" Lg.)
21	10854	2	Cap Screw (1/4-20UNC X 1-3/4" Lg.; Torque to 60/80 in. lbs.)
22	207405	1	Locknut
23	251065	1	Replaceable Seat
24	10268	1	O-ring (1/2 X 3/8 X 1/16)
25	251611	1	Dowel Pin

MOTOR AND CONTROL BOX



DECAL LOCATION BOX COVER

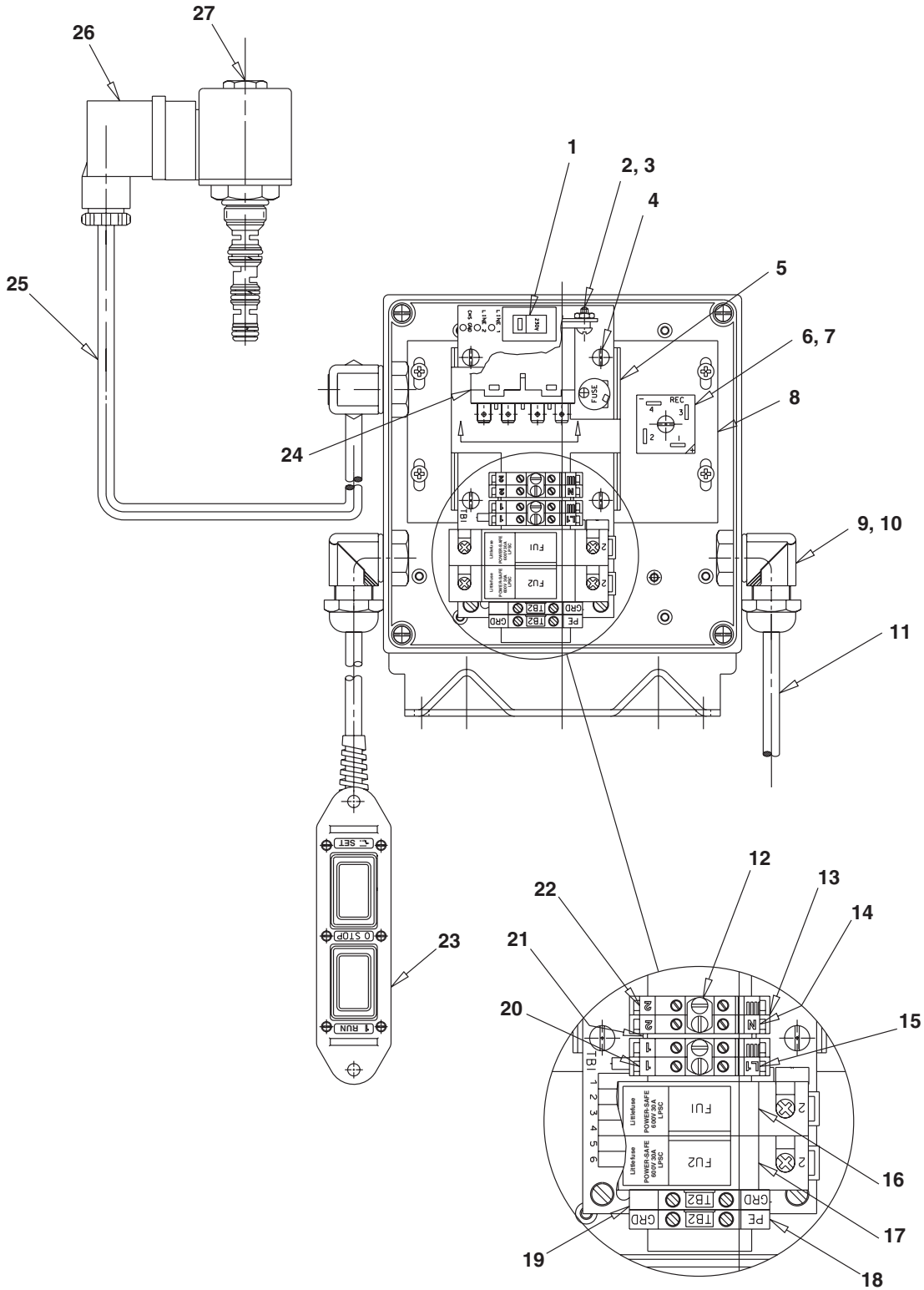


MOTOR ASSEMBLY

Item No.	Part No.	No. Req'd	Description
1	350988	1	Decal, CE
2	251898	1	Decal, Warning CE Elec
3	251762	1	Decal, Warning
4	216680	4	Locknut, Conduit
5	216666	1	Bushing, Strain Relief, Straight
6	351269	1	Screw (10-24 x 1/2 Lg.)
7	216669	1	Plug, Hole
8	10022	4	Screw, Cap (1/4-20 x 1.5 Socket Hd.)
9	422006BK2	1	Motor, Elec 230V 60Hz

Item No.	Part No.	No. Req'd	Description
10	2000272	1	Box, Control
11	260071	4	Screw, Round Hd. (8-32 x 3/4)
12	10241	4	Washer
13	10196	4	Nut, Hex (8-32)
14	2000271BK2	1	Bracket, Mounting

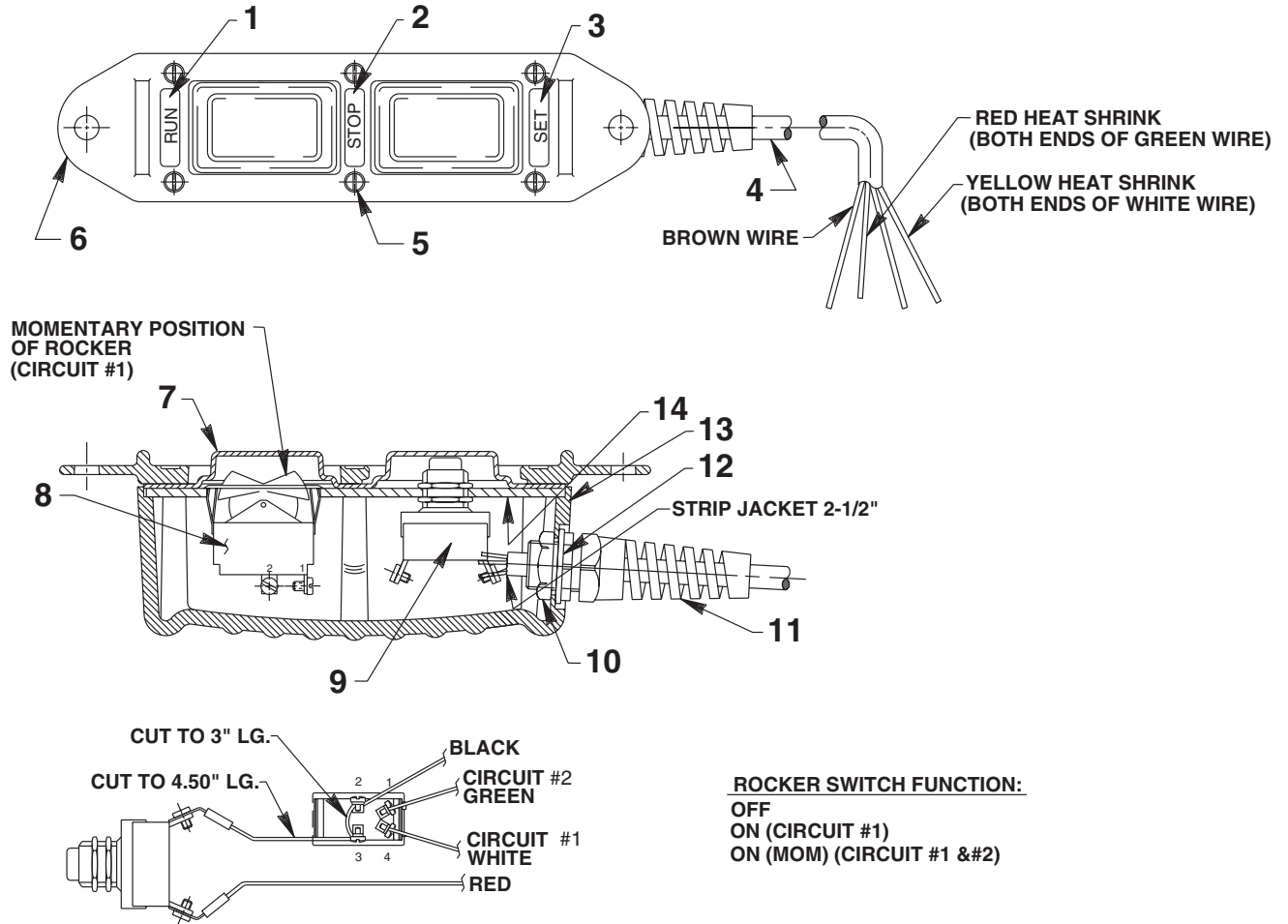
MOTOR CONTROL ASSEMBLY



Parts List, Form No. 1000047CE, Back sheet 4 of 5

Item No.	Part No.	No. Req'd	Description
1	421477	1	Board, Circuit
2	10447	2	Screw, Round Hd. (8-32 x 5/16)
3	10196	2	Nut, Hex (8-32)
4	260071	4	Screw, Round Hd. (8-32 x 3/4)
5	421608WH2	1	Bracket, Mounting
6	251050	1	Rectifier
7	10429	1	Screw, Round Hd. (8-32 x 1/2)
8	2000279	4	Plate, Mounting
9	260068	3	Bushing, Strain Relief 90 Degree
10	216680	3	Locknut, Conduit
11	251879	10.08'	Cable, 1.5 MM/3 HAR
12	251845	2	Jumper, Center 2 Pole
13	251840	4	Block, Terminal
14	2000160	1	Card, Marker N
15	2000159	1	Card, Marker L1
16	253112	2	Fuse, 15 AMP 600V
17	351668	1	Holder, Fuse
18	2000161	1	Card, Marker PE
19	251841	2	Block, Grounding Terminal
20	2000162	2	Card, Marker 1
21	251842	1	Barrier, End
22	2000163	2	Card, Marker 2
23	351160	1	Control, Hand
24	421663	1	Relay, 240 Volt
25	253592	1.42'	Cable, .75MM/3 HAR
26	253405	1	Connector
27	251844	1	Valve, Solenoid (4-Way 3,000 psi)

REMOTE HAND SWITCH ASSEMBLY



Item No.	Part No.	No. Req'd	Description
1	253105	1	Decal (Run)
2	253106	1	Decal (Stop)
3	253107	1	Decal (Set)
4	11391	21'	Cable (18/4 SJTO)
5	250248	6	Screw (4-24 X 3/4 Lg.)
6	251044	1	Plastic Cover
7	420050-2	1	Gasket

Item No.	Part No.	No. Req'd	Description
8	420017	1	Rocker Switch
9	253197	1	Push Button Switch
10	251802	1	Locknut
11	251818	1	Strain Relief Bushing
12	253607	1	Gasket
13	420050-4	1	Switch Housing
14	420050-5	1	Switch Mounting Plate

**RECOMMENDED MINIMUM WIRE SIZE-AWG (mm²)
OF EXTENSION CORDS FOR
POWER TEAM ELECTRIC PUMPS**

Current At Full Load (Amps)	Cord Size AWG (mm ²) 3.2 Volt Drop			
	Length of Cord			
	0-25 feet (0-8 m)	25-50 feet (8-15 m)	50-100 feet (15-30 m)	100-150 feet (30-45 m)
6	18 (.82)	16 (1.33)	14 (2.09)	12 (3.32)
8	18 (.82)	16 (1.33)	12 (3.32)	10 (5.37)
10	18 (.82)	14 (2.09)	12 (3.32)	10 (5.37)
12	16 (1.33)	14 (2.09)	10 (5.37)	8 (8.37)
14	16 (1.33)	12 (3.32)	10 (5.37)	8 (8.37)
16	16 (1.33)	12 (3.32)	10 (5.37)	8 (8.37)
18	14 (2.09)	12 (3.32)	8 (8.37)	8 (8.37)
20	14 (2.09)	12 (3.32)	8 (8.37)	6 (13.30)
22	14 (2.09)	10 (5.37)	8 (8.37)	6 (13.30)
24	14 (2.09)	10 (5.37)	8 (8.37)	6 (13.30)
26	12 (3.32)	10 (5.37)	8 (8.37)	6 (13.30)
28	12 (3.32)	10 (5.37)	6 (13.30)	4 (21.29)
30	12 (3.32)	10 (5.37)	6 (13.30)	4 (21.29)