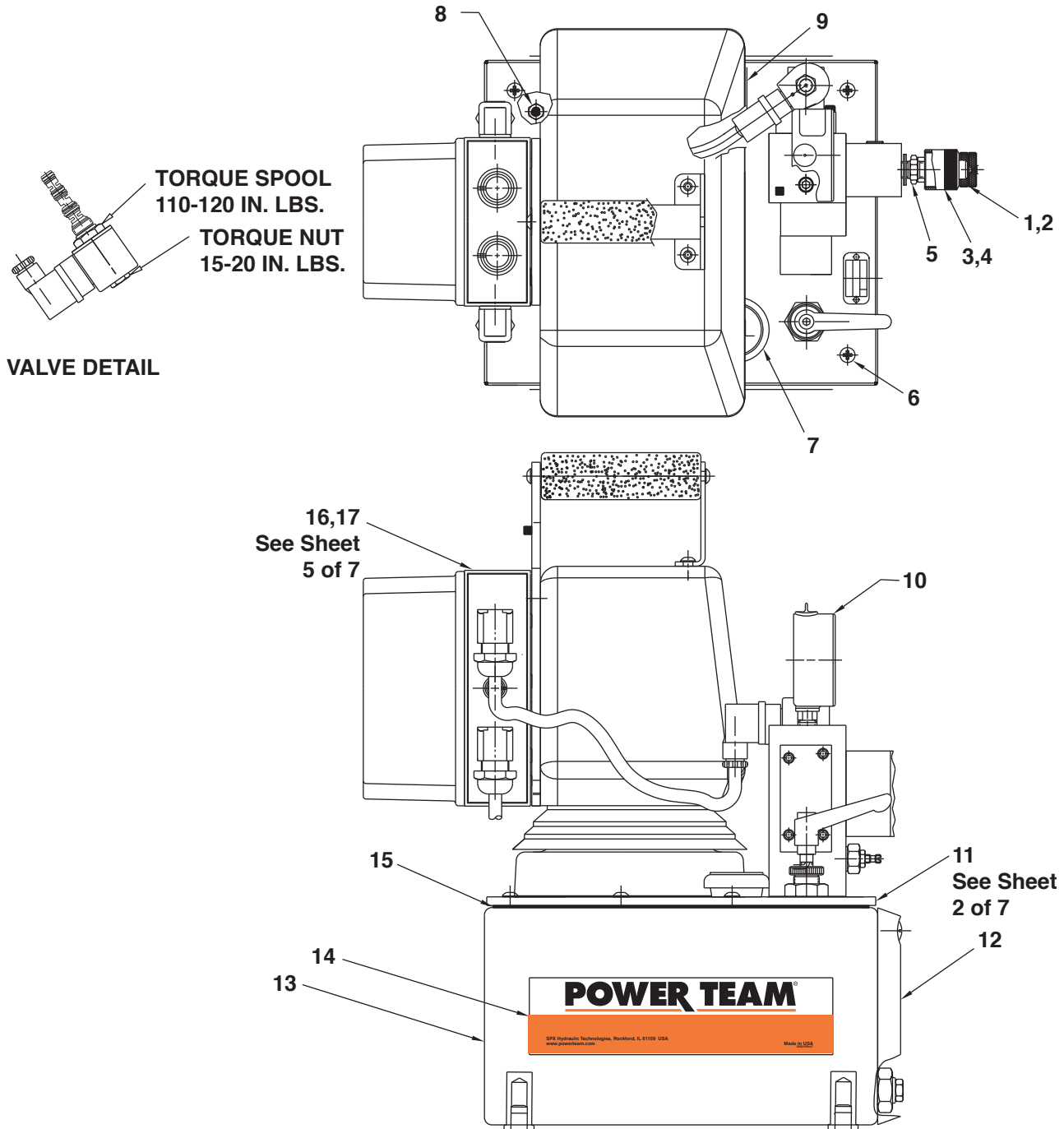




MODEL B ELECTRIC HYDRAULIC PUMP Maximum Capacity: 10,000 PSI

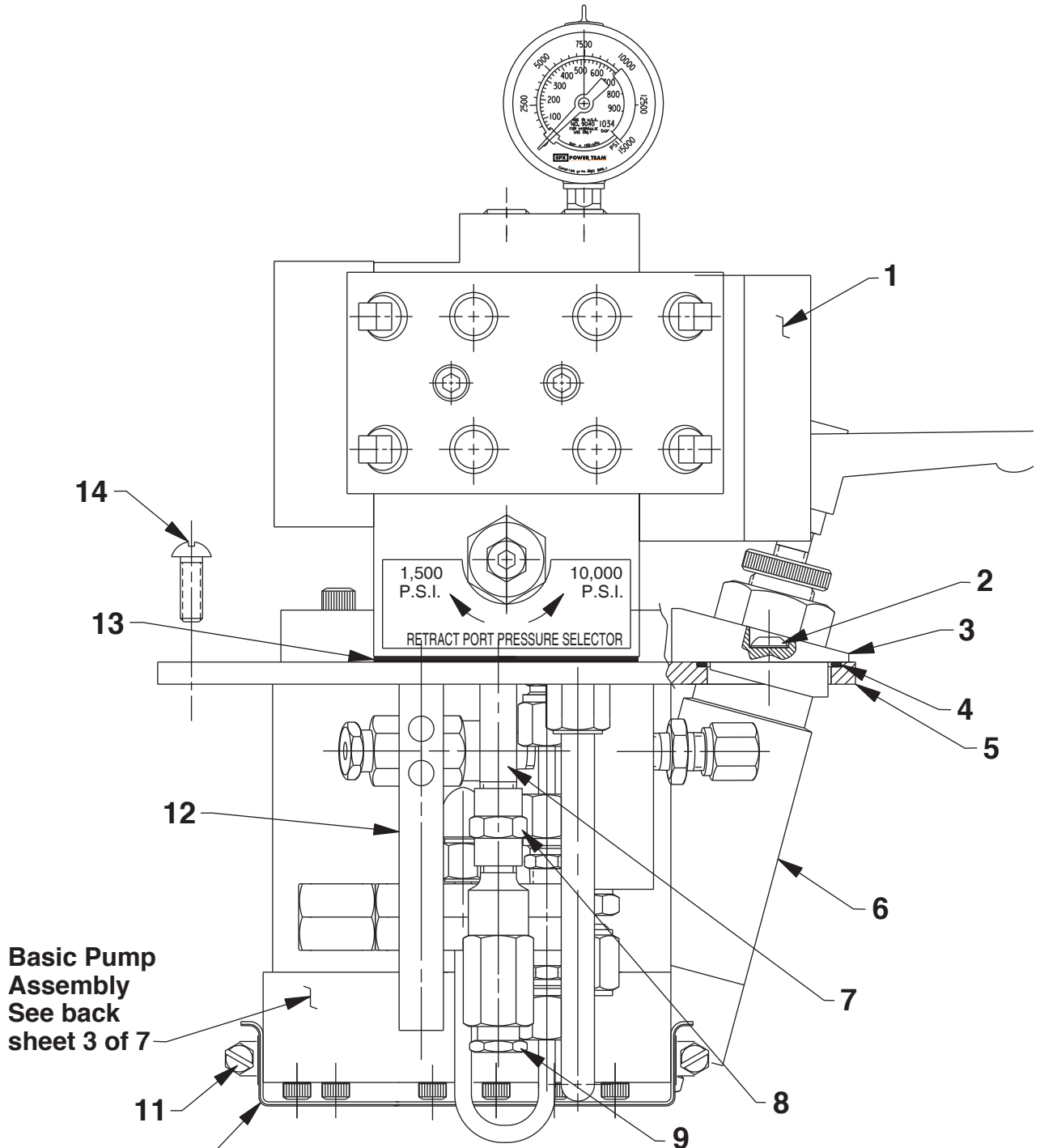


Parts List, Form No. 1000048CE, Back sheet 1 of 7

| Item No. | Part No. | No. Req'd | Description |
|-----------------|-----------------|------------------|--|
| 1 | *251410 | 1 | Quick Coupler |
| 2 | *252364 | 1 | Dust Plug |
| 3 | *251411 | 1 | Quick Plug Coupler |
| 4 | *252365 | 1 | Dust Cap |
| 5 | *10672 | 1 | Straight Fitting |
| 6 | 10177 | 10 | Screw, Round Hd (1/4-20 x 3/4) |
| 7 | 350925 | 1 | Filler Cap |
| 8 | 251599 | 1 | Vent, Breather Filter |
| 9 | 215163 | 1 | Decal, Specifications |
| 10 | 9040 | 1 | Gauge (10,000 psi, 2 1/2" Dia.) |
| 11 | 3000118 | 1 | Cover Plate Assembly |
| 12 | 350431 | 1 | Sight Gauge (1-1/2") |
| 13 | 65599OR9 | 1 | Reservoir (2 gal.) |
| 14 | 309219CE | 2 | Decal, (Tradename Power Team) |
| 15 | 40164 | 1 | Gasket, Reservoir |
| 16 | 3000173 | 1 | Assembly, Motor Control |
| | 3000174 | 1 | Assembly, Motor Control (for PE55TWP-E110) |
| 17 | 21091 | 1 | Coupling |

Part numbers marked with an asterisk (*) are included with
421293BK Valve Assembly

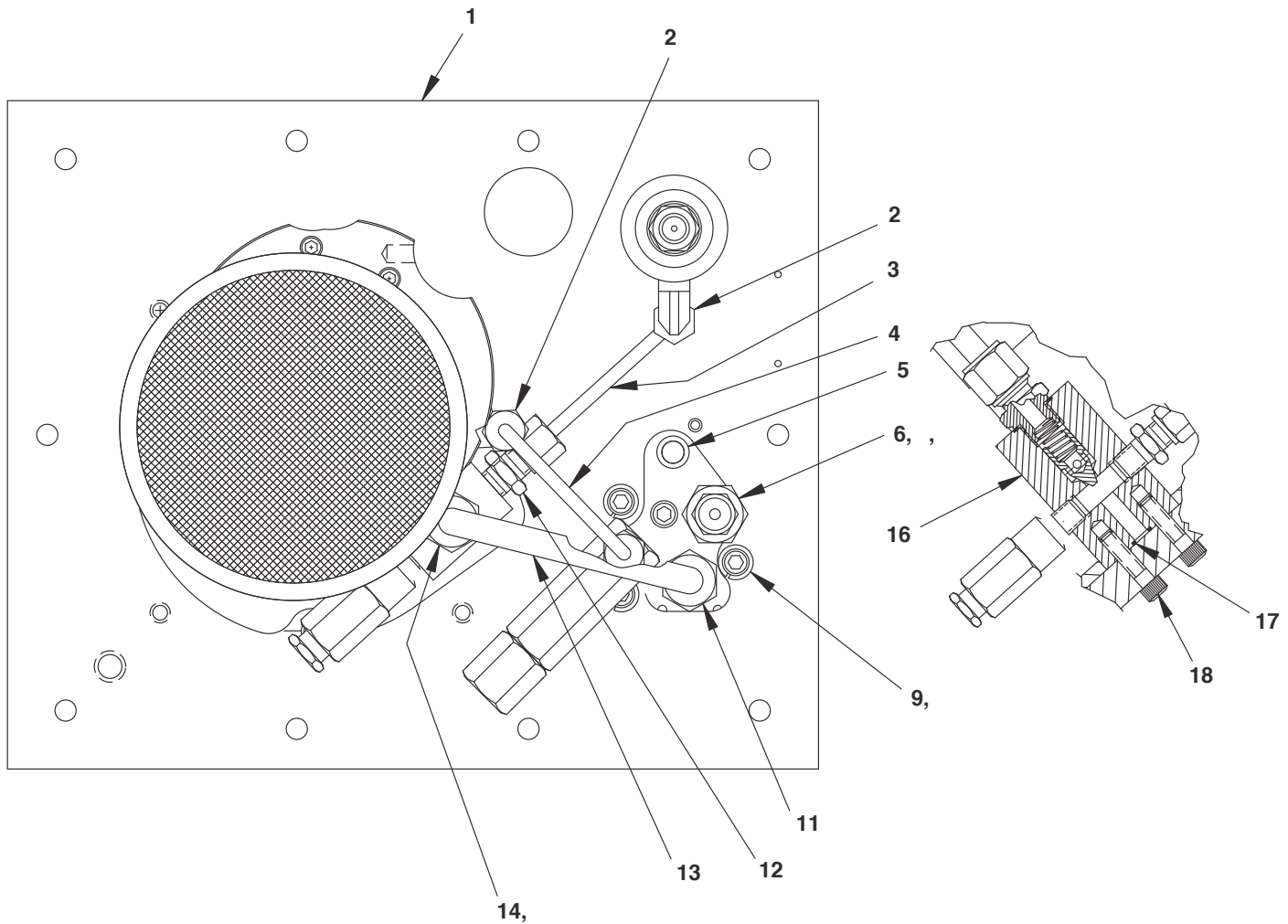
GENERAL PUMP SIDE VIEW



| Item No. | Part No. | No. Req'd | Description |
|----------|-----------|-----------|----------------------------------|
| 1 | 3000113BK | 1 | Valve, Solenoid (4 Way Open Ctr) |
| 2 | 10016 | 3 | Screw, Socket Hd (1/4-20 x 1) |
| 3 | 351095 | 1 | Gasket, Valve |
| 4 | 360029 | 1 | Tube, Oil Line |
| 5 | 21943 | 1 | Accumulator |

| Item No. | Part No. | No. Req'd | Description |
|----------|----------|-----------|------------------------------|
| 6 | 14844 | 3 | Fitting, Straight (1/8 NPTF) |
| 7 | 21344 | 1 | Screen, Filter |
| 8 | 41064-2 | 1 | Pump, Basic |
| 9 | 421429 | 1 | Regulator, Pressure |
| 10 | 10527 | 1 | O-Ring (Nitrile .37 x .25) |

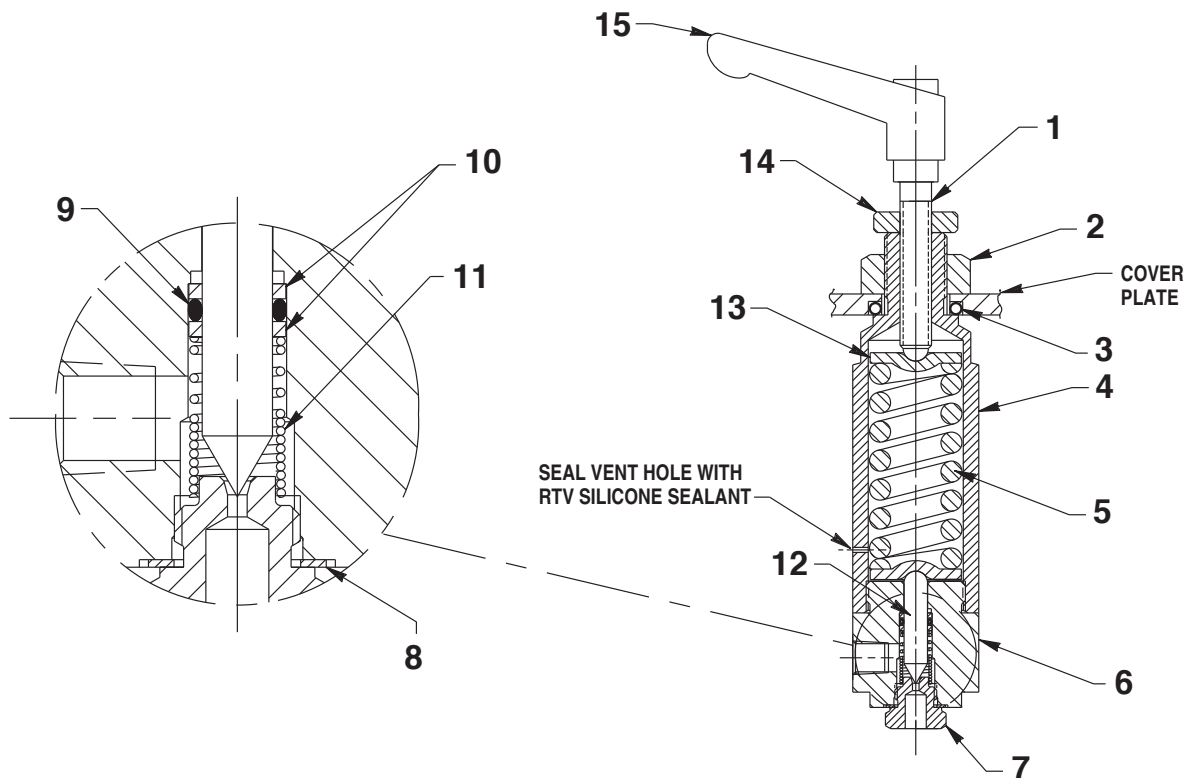
GENERAL PUMP BOTTOM VIEW & SECTION A-A



| Item No. | Part No. | No. Req'd | Description |
|----------|----------|-----------|---|
| 1 | 2000212 | 1 | Plate, Cover |
| 2 | 16177 | 2 | 90° Elbow Fitting |
| 3 | 2000221 | 1 | Tube, Oil Line |
| 4 | 253562 | 1 | Tube, Pressure Regulator |
| 5 | 250630 | 1 | Tube, Drain |
| 6 | 21278-15 | 1 | Valve, Relief 1500 psi |
| 7 | 18841 | 1 | Fitting, Straight(1/8 NPTF) |
| 8 | 15456 | 1 | Fitting, Straight(1/8 NPTF) |
| 9 | 10008 | 3 | Screw, Socket Hd (1/4-20 x 3/4) (Apply Loctite #243, Torque to 110-120 In. Lbs.) |
| 10 | 10245 | 3 | Washer, Lock (.49 x .26) |

| Item No. | Part No. | No. Req'd | Description |
|----------|----------|-----------|---|
| 11 | 10661 | 1 | Fitting, Straight(1/4 NPTF) |
| 12 | 14844 | 1 | Fitting, Straight(1/8 NPTF) |
| 13 | 351203 | 1 | Tube, Oil Line |
| 14 | 10430 | 1 | Sleeve, Tube (3/8 Dia.) |
| 15 | 10431 | 1 | Fitting, Nut Tube 3/8 Tube |
| 16 | 21277-2 | 1 | Valve, Check and 10,000 psi Relief |
| 17 | 10266 | 1 | O-Ring (Nitrile .37 x .25) |
| 18 | 10015 | 2 | Screw, Socket Hd (1/4-28 x 1) (Torque to 130-180 In. Lbs.) |

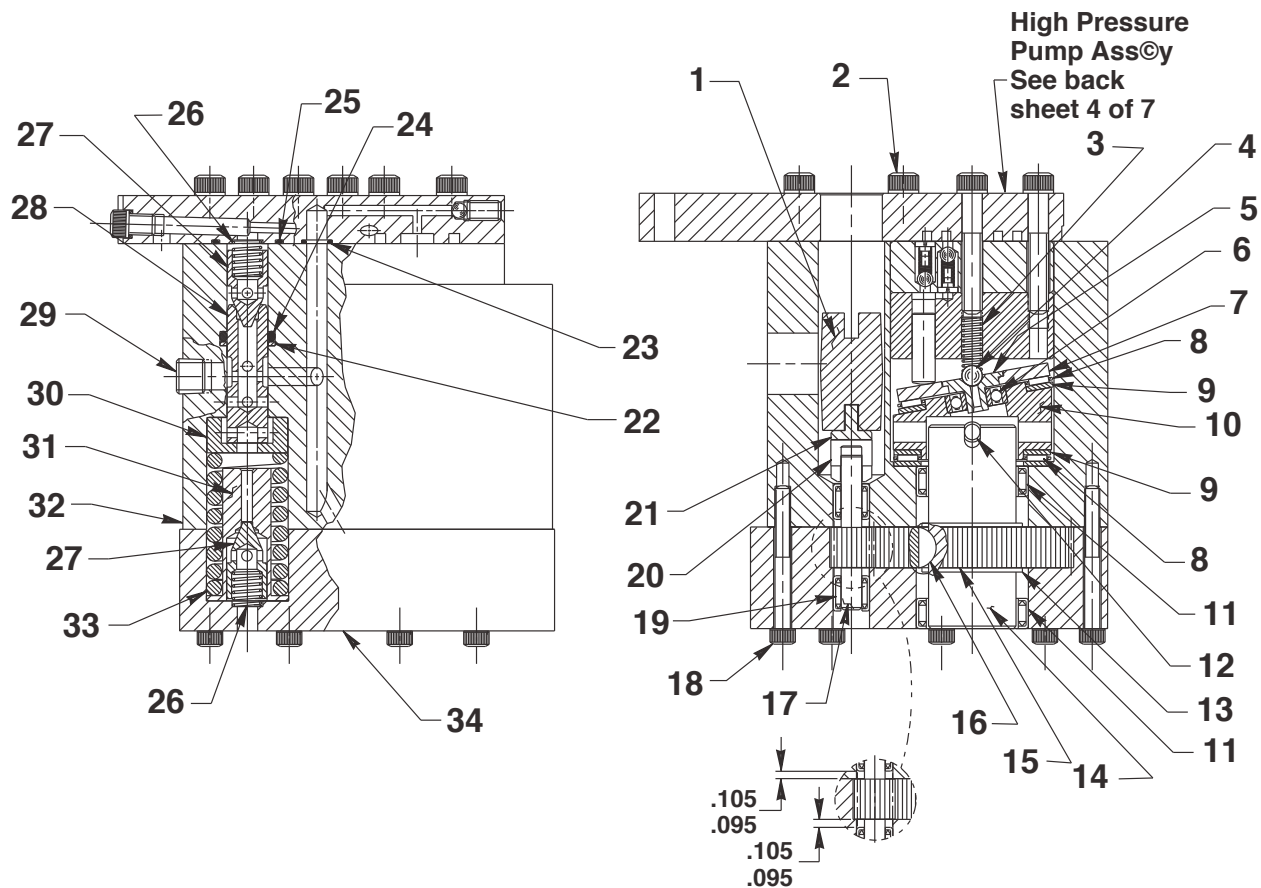
#421429 PRESSURE REGULATOR ASSEMBLY



| Item No. | Part No. | No. Req'd | Description |
|----------|----------|-----------|---|
| 1 | 252427 | 1 | Adjustment Stem (Note: Assemble to handle with Loctite 242 or equiv.) |
| 2 | 10396 | 1 | Jam Nut (3/4"-16) |
| 3 | 10527 | 1 | O-ring (Note: Not Included with Assembly) |
| 4 | 351350 | 1 | Regulator Housing |
| 5 | 215429 | 1 | Compression Spring (1.100 O.D. X 2-1/2 Lg.) |
| 6 | 420891 | 1 | Regulator Body |
| 7 | 351343 | 1 | Seat Fitting (Torque to 440/460 in. lbs.) |
| 8 | 14874 | 1 | Copper Washer (.700 X 1/2 X 1/32) |

| Item No. | Part No. | No. Req'd | Description |
|----------|----------|-----------|---|
| 9 | 10266 | 1 | O-ring (3/8 X 1/4 X 1/16) |
| 10 | 215430 | 2 | Backup Washer (.385 x .282 x .050) |
| 11 | 215431 | 1 | Spring (3/8 O.D. x 21/32 Lg.; Note: Assemble closed coils of spring form towards seat fitting [Item#7]) |
| 12 | 309079 | 1 | Poppet |
| 13 | 215428 | 2 | Spring Retainer (Grease pocket before assembling [both ends]) |
| 14 | 215683 | 1 | Regulator Locking Nut (3/8-24) |
| 15 | 252332 | 1 | Adjustable Handle |

BASIC PUMP ASSEMBLY

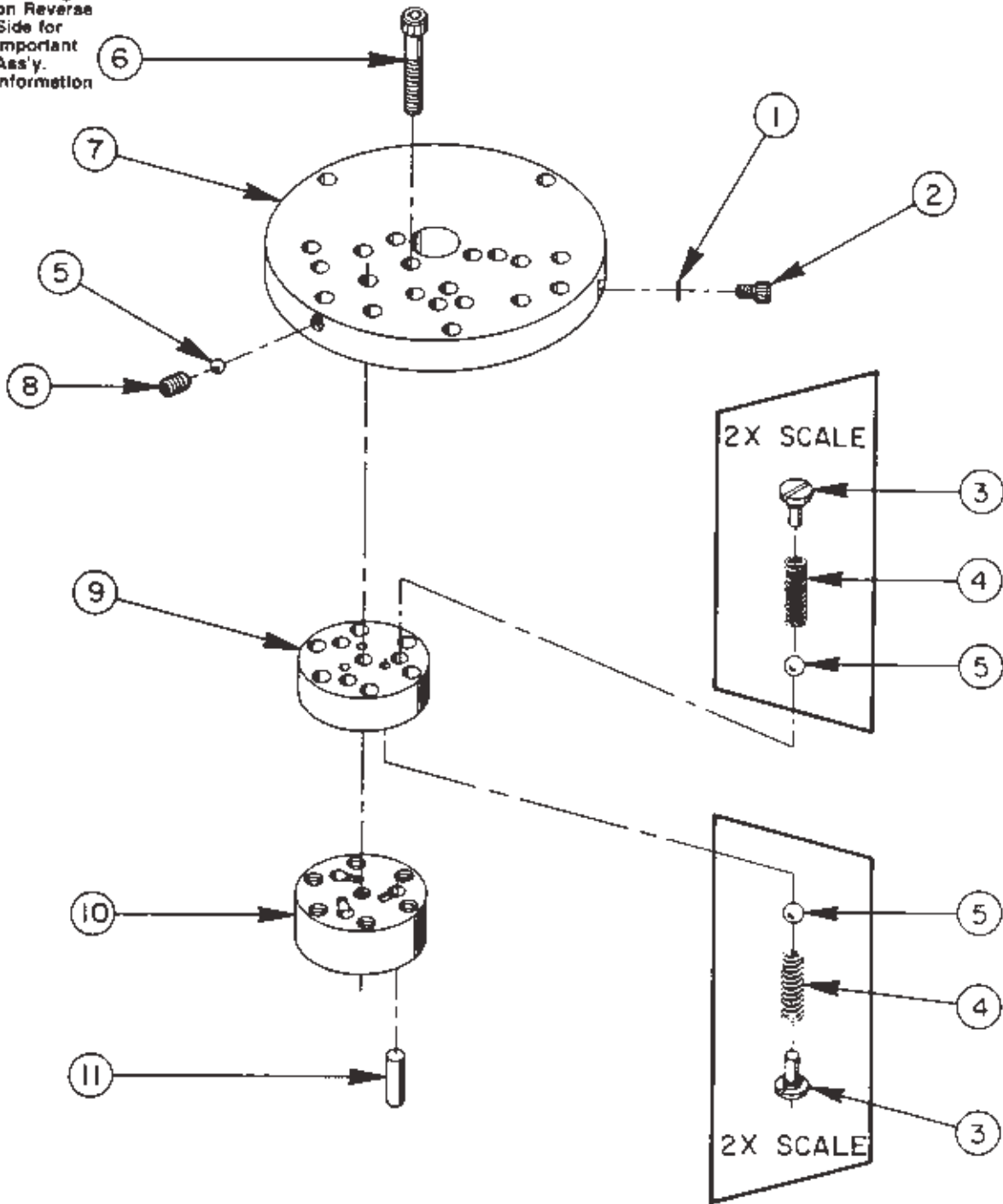


| Item No. | Part No. | No. Req'd | Description |
|----------|----------|-----------|--|
| 1 | 21091 | 1 | Coupling |
| 2 | 10020 | 9 | Soc. Hd. Screw (1/4-20 x 1-1/4; Torque to 170/180 in. lbs.) |
| 3 | 10361 | 1 | Spring (.25 OD x 1" x .03 WS) |
| 4 | 10375 | 1 | Ball (1/4 dia. steel) |
| 5 | 23547 | 1 | Bearing Top Plate |
| 6 | 11814 | 1 | Ball Bearing |
| 7 | 23548 | 1 | Top Plate |
| 8 | 11228 | 2 | Needle Bearing |
| 9 | 11813 | 3 | Bearing Race |
| 10 | 23549 | 1 | Angle Plate |
| 11 | 11064 | 2 | Needle Bearing |
| 12 | 11955 | 1 | Spring Slotted Pin (.25 x 1.75) |
| 13 | 11261 | 2 | Ext. Retaining Ring (1.05 x .050) |
| 14 | 23556 | 1 | Shaft |
| 15 | 23574 | 1 | Drive Gear |
| 16 | 11821 | 1 | Woodruff Key |
| 17 | 20774 | 1 | Connector Fitting (9/16 x 5/8) |

| Item No. | Part No. | No. Req'd | Description |
|----------|----------|-----------|---|
| 18 | 10001 | 13 | Soc. Hd. Screw (10-32 x 1-3/4; Torque to 50/60 in. lbs.) |
| 19 | 11198 | 2 | Needle Bearing |
| 20 | 21093 | 1 | Key |
| 21 | 21092 | 1 | Adapter |
| 22 | 12389 | 1 | Backup Washer (.69 x .50) |
| 23 | 10266 | 1 | O-ring (.37 x .25 Nitrile) |
| 24 | 10271 | 1 | O-ring (.68 x .50 Nitrile) |
| 25 | 10303 | 1 | O-ring (.87 x .75 Nitrile) |
| 26 | 10425 | 2 | Spring (.37 OD x .75 x .03 WS) |
| 27 | 20771 | 2 | Poppet |
| 28 | 0849 | 1 | Spool |
| 29 | 10427 | 1 | Plug Fitting (1/8 NPTF) |
| 30 | 23255 | 1 | Spring Guide |
| 31 | 23256 | 1 | Spring Guide |
| 32 | 40071 | 1 | Pump Body |
| 33 | 10426 | 1 | Spring (1" OD x 1.8 x .19 WS) |
| 34 | 40072 | 1 | End Plate |

HIGH PRESSURE PUMP ASSEMBLY

See Diagram
on Reverse
Side for
Important
Ass'y.
Information



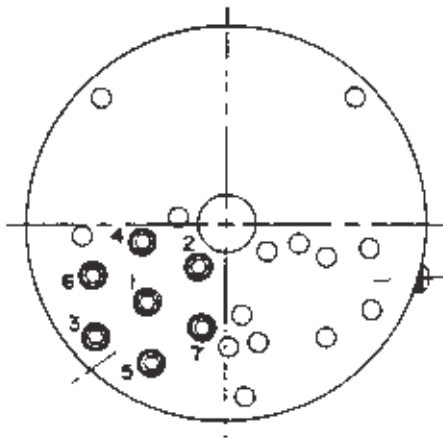
33113 HIGH PRESSURE PUMP ASSEMBLY

3 Pistons --- 9/32 Dia.

| Item No. | Part No. | No. Req'd | Description |
|-----------------|-----------------|------------------|--|
| 1 | 10442 | 1 | Copper Washer |
| 2 | 10002 | 1 | Soc. Hd. Cap Screw (1/4-20 UNC X 3/8 Lg.; Torque to 140/160 in. lbs.) |
| 3 | *24549 | 6 | Valve Guide |
| 4 | *10445 | 6 | Compression Spring (5/32 O.D. X 3/4 Lg.) |
| 5 | *12223 | 7 | Steel Ball (3/16 dia.) |
| 6 | *10023 | 7 | Soc. Hd. Cap Screw (1/4-28 UNF X 1-1/2" Lg.; Torque to 170/180 in. lbs.) |
| 7 | *50411 | 1 | Top Plate |
| 8 | 10519 | 1 | Soc. Set Screw (Torque to 65/70 in. lbs.) |
| 9 | *40630 | 1 | Valve Head |
| 10 | *41062 | 1 | Pump Barrel |
| 11 | *21628 | 3 | Piston |

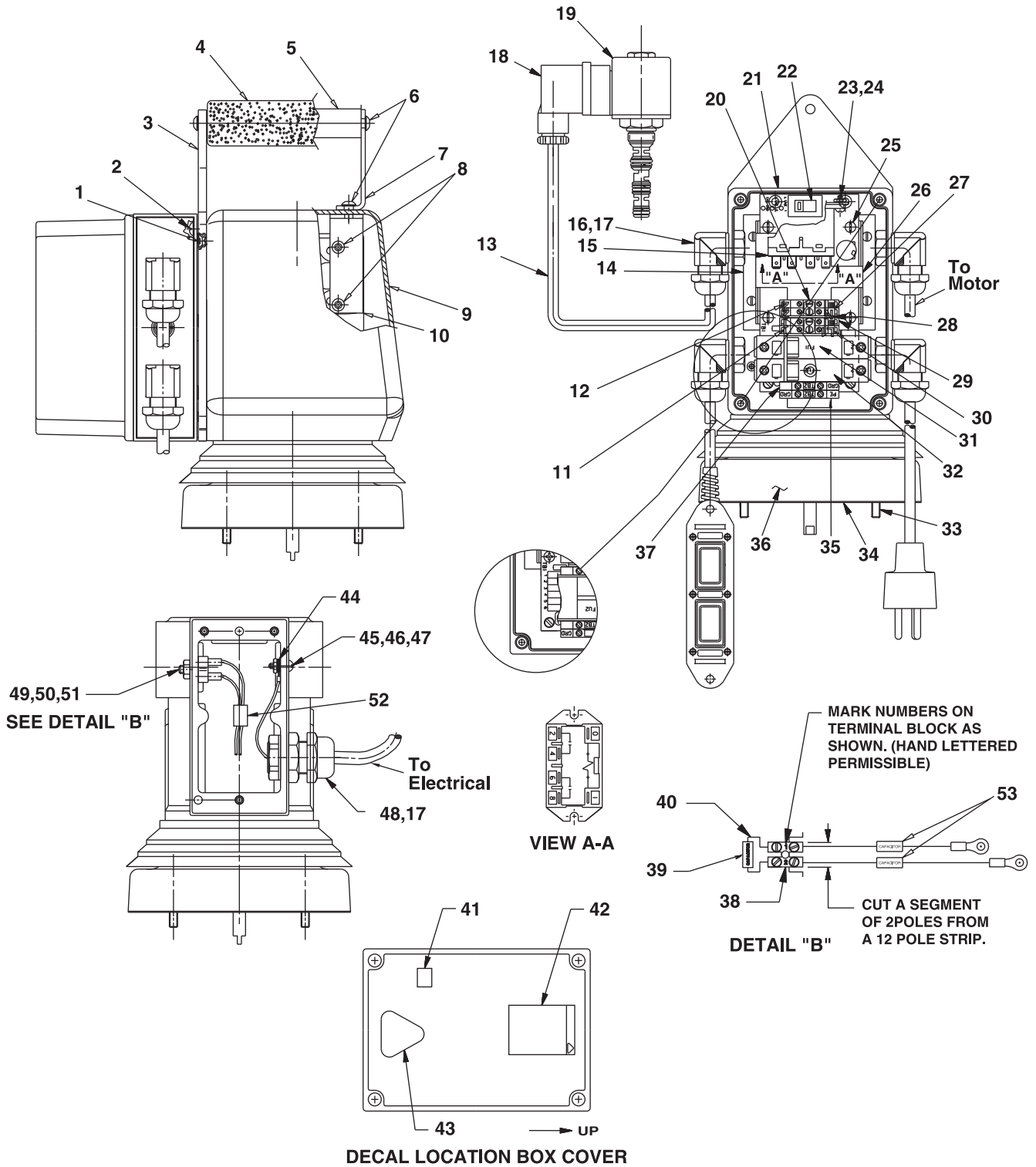
Consult factory when replacing items marked with an asterisk (*).

BOLT TIGHTENING SEQUENCE



**Note: Assemble in sequence shown.
Lubricate under head and on threads.
Torque to 170/180 in. lbs.**

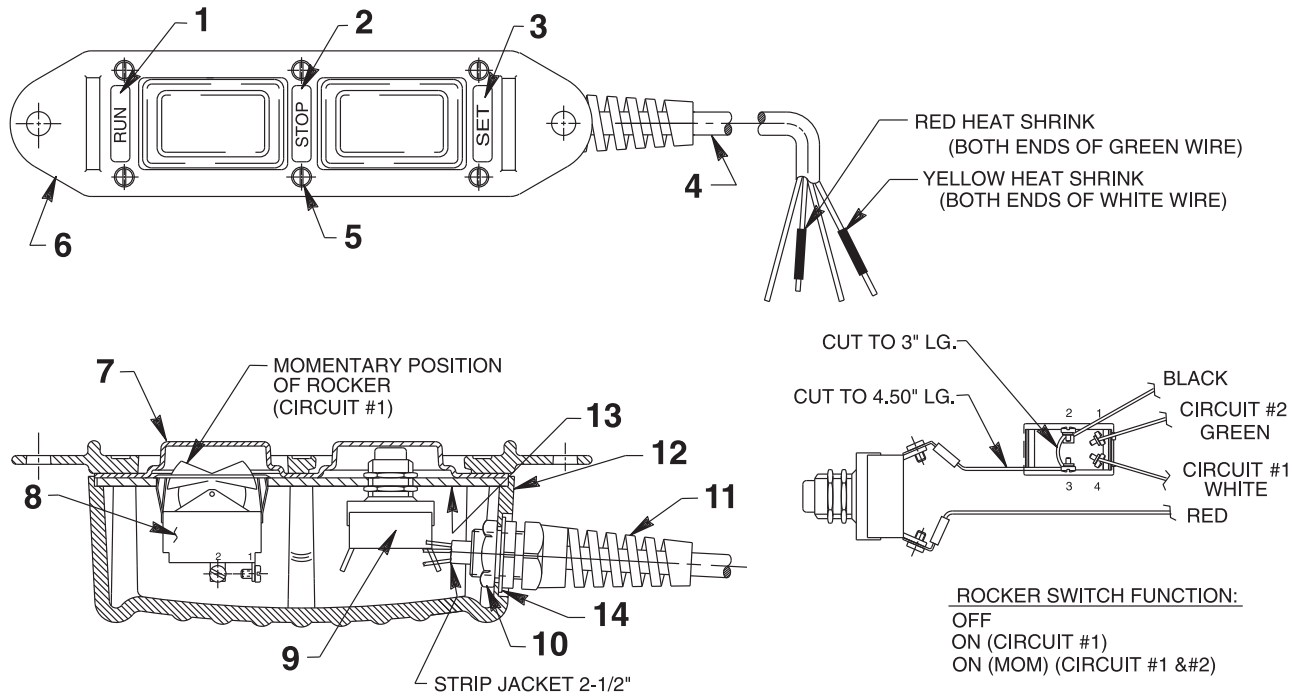
MOTOR AND CONTROL ASSEMBLY



Parts List, Form No. 1000048CE, Back sheet 5 of 7

| Item No. | Part No. | No. Req'd | Description |
|----------|-----------|-----------|--|
| 1 | 253140 | 3 | Screw, Flat Hd. (10-24 x 5/8) |
| 2 | 12409 | 4 | Screw, Round Hd. (8-32 x 5/8) |
| 3 | 59028BK2 | 1 | Mounting Bracket |
| 4 | 216668 | 1 | Grip, Handle |
| 5 | 252020 | 1 | Handle |
| 6 | 251437 | 4 | Screw, Button Hd. (1/4-20 x 1/2) |
| 7 | 351189BK2 | 1 | Bracket, Handle |
| 8 | 251486 | 4 | Screw, Button Hd. (10-24 x 1/2) |
| 9 | 65758 | 1 | Cover |
| 10 | 421212 | 1 | Bracket |
| 11 | 2000162 | 2 | Card, Marker 1 |
| 12 | 2000163 | 2 | Card, Marker 2 |
| 13 | 253592 | 1 | Cable, (.75MM/3 HAR 1.42 Ft.) |
| 14 | 421663 | 1 | Relay, 240 Volt |
| | 360001 | 1 | Relay, 120 Volt (for PE55TWP-E110) |
| 15 | 351588 | 1 | Mounting Plate |
| 16 | 260068 | 4 | Bushing, Strain Relief 90 Degree |
| 17 | 216680 | 5 | Conduit Locknut |
| 18 | 253405 | 1 | Connector |
| 19 | 351844 | 1 | Valve, Solenoid (4 way 3000 psi) |
| | 351843 | 1 | Valve, Solenoid (4 way 3000 psi; for PE55TWP-E110) |
| 20 | 251845 | 2 | Jumper, Center 2-Pole |
| 21 | 59036 | 1 | Control Box |
| 22 | 421477 | 1 | Board, Circuit |
| 23 | 10447 | 2 | Screw, Round Hd. (8-32 x 5/16) |
| 24 | 10196 | 2 | Nut, Hex (8-32) |
| 25 | 260071 | 4 | Screw, Round Hd. (8-32 x 3/4) |
| 26 | 421608WH2 | 1 | Mounting Bracket |
| 27 | 2000160 | 1 | Card, Marker N |
| 28 | 251842 | 1 | Barrier, End |
| 29 | 251840 | 1 | Block, Terminal |
| 30 | 2000159 | 1 | Card, Marker L1 |
| 31 | 360002-15 | 1 | Breaker, Circuit 15 amp |
| | 253135 | 1 | Fuse Holder (for PE55TWP-E110) |
| 32 | 351668 | 1 | Fuse Holder |
| | 253135 | 1 | Fuse Holder (for PE55TWP-E110) |
| 33 | 10022 | 4 | Screw, Cap (1/4-20 x 1.5 Socket Hd.) |
| 34 | 30650 | 2 | Gasket, Motor Base |
| 35 | 2000161 | 1 | Card, Marker PE |
| 36 | 65065 | 1 | Basic Motor (220/230 V. 50/60 Hz.; See sheet 6 of 7) |
| | 65249 | 1 | Basic Motor (for PE55TWP-E110) |
| 37 | 251841 | 2 | Block, Grounding Terminal |
| 38 | 351130 | 1 | Block, Terminal |
| 39 | 252195 | 1 | Capacitor |
| 40 | 206314 | 1 | Tubing, Electrical (2.0 Ft) |
| 41 | 350988 | 1 | Decal, CE |
| 42 | 251762 | 1 | Decal, Warning |
| 43 | 251898 | 1 | Decal, Warning (CE Elec) |
| 44 | 10443 | 1 | Jumper, Center (2 Pole) |
| 45 | 12354 | 1 | Screw, Round Hd. (10-24 x 5/8) |
| 46 | 11108 | 2 | Washer, Tooth Ext (.40 x .20) |
| 47 | 10197 | 2 | Nut, Hex (10-24) |
| 48 | 216666 | 1 | Bushing, Strain Relief |
| 49 | 10160 | 1 | Screw, Machine (#6-32 x .875 Flat Slot Hd.) |
| 50 | 15906 | 1 | Washer, Tooth Ext (.31 x .15) |
| 51 | 10195 | 1 | Nut, Hex (6-32) |
| 52 | 2000503 | 1 | Ferrite Bead |
| 53 | 2000504 | 2 | Capacitor (250V) |

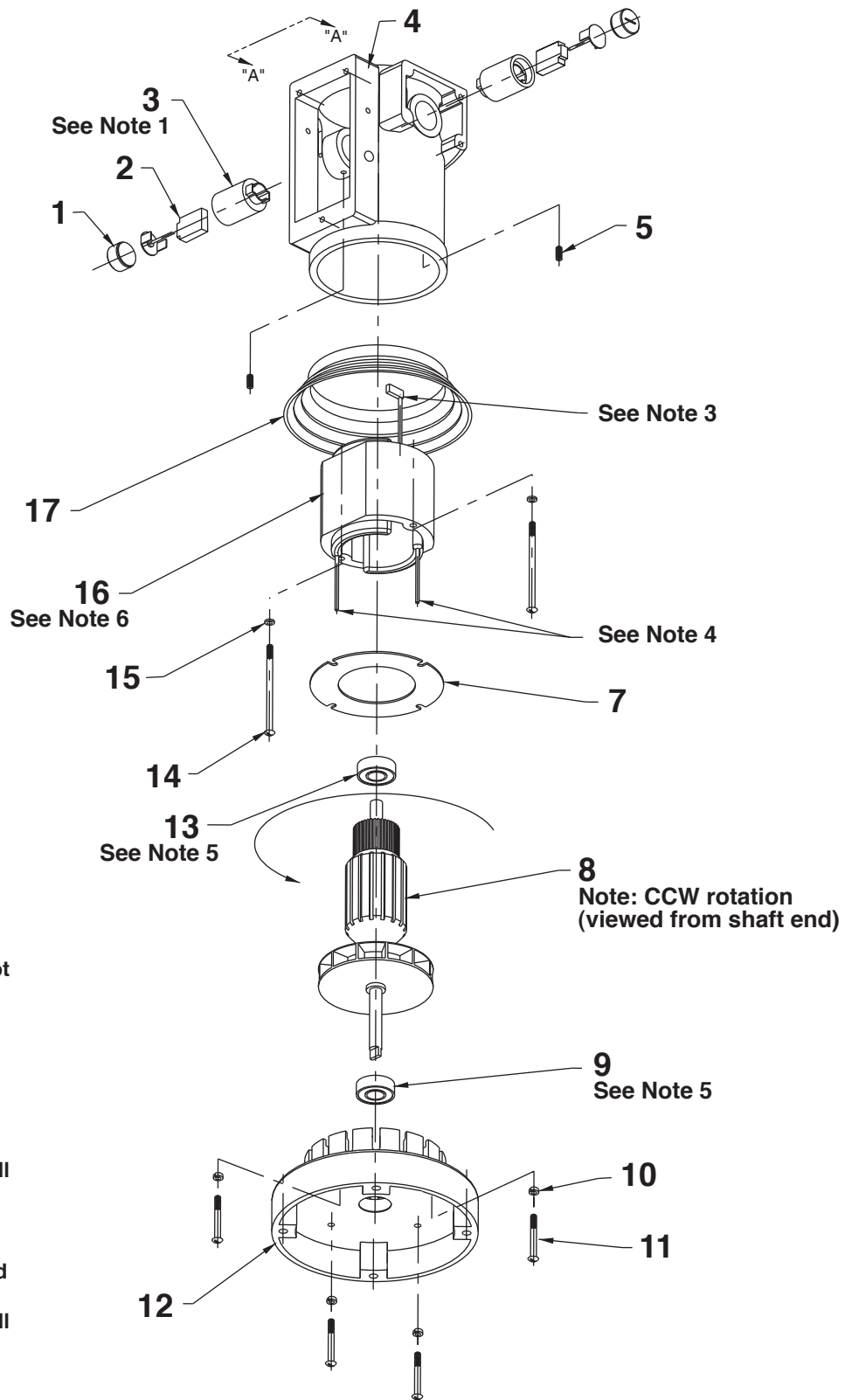
#351160 REMOTE HAND SWITCH ASSEMBLY



| Item No. | Part No. | No. Req'd | Description |
|----------|----------|-----------|------------------------|
| 1 | 203770 | 1 | Decal (Run) |
| 2 | 203769 | 1 | Decal (Stop) |
| 3 | 252431 | 1 | Decal (Set) |
| 4 | 11391 | 21' | Cable (18/4 SJTO) |
| 5 | 250248 | 6 | Screw (4-24 X 3/4 Lg.) |
| 6 | 251044 | 1 | Plastic Cover |
| 7 | 420050-2 | 1 | Gasket |

| Item No. | Part No. | No. Req'd | Description |
|----------|----------|-----------|-----------------------|
| 8 | 420017 | 1 | Rocker Switch |
| 9 | 253197 | 1 | Push Button Switch |
| 10 | 251802 | 1 | Locknut |
| 11 | 251818 | 1 | Strain Relief Bushing |
| 12 | 420050-4 | 1 | Switch Housing |
| 13 | 420050-5 | 1 | Switch Mounting Plate |
| 14 | 253607 | 1 | Gasket |

ELECTRIC MOTOR ASSEMBLY

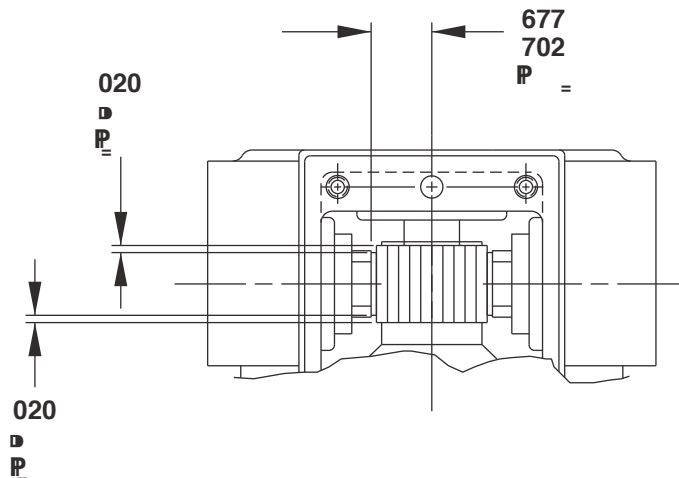


Notes:

1. Brush holders (#10805) must be installed with slot and dimple facing the open end of the motor shell casting.
2. Stator must be installed with part no. and date code up (must be visible thru the rectangular opening in the motor shell casting).
3. Insert flag terminals into adjacent brush holders.
4. Line leads must be routed thru the rectangular opening in the motor shell casting.
5. Press bearings on to armature and install as a unit into the motor shell casting.

| Item No. | Part No. | No. Req'd | Description |
|----------|----------|-----------|---|
| 1 | 10806 | 2 | Brush Holder Cap |
| 2 | 10804 | 2 | Brush Assembly (For 115 v.) |
| | 2001708 | 2 | Brush Assembly (For 230 v.) |
| 3 | 10805 | 2 | Brush Holder |
| 4 | 65064 | 1 | Motor Shell |
| 5 | 10133 | 2 | Set Screw (#10-24 UNC X 1/4 Lg.) |
| 7 | 20786 | 1 | Baffle Plate |
| 8 | 58841A | 1 | Armature (220 volt) |
| | 10800 | 1 | Armature (115 volt for 55TWP-4-E110) |
| 9 | 10438 | 1 | Ball Bearing |
| 10 | 10241 | 4 | Lockwasher (For #10 bolt) |
| 11 | 10169 | 2 | Screw (#10-24 UNC X 2" Lg.; Torque to 20/25 in. lbs.) |
| 12 | 40059WH2 | 1 | Motor Base |
| 13 | 10439 | 1 | Ball Bearing |
| 14 | 10170 | 2 | Screw (#10-24 UNC X 3-1/4 Lg.) |
| 15 | 12356 | 2 | Washer (#10 Internal Tooth) |
| 16 | 58841F | 1 | Field (220 volt) |
| | 10802 | 1 | Field (115 volt for 55TWP-4-E110) |
| 17 | 421204 | 1 | Plastic Cover |

BRUSH HOLDER & ARMATURE INSTALLATION SPECIFICATION



When replacing brushes or the armature, the dimensions shown must be as specified.

**RECOMMENDED MINIMUM WIRE SIZE-AWG (mm²)
OF EXTENSION CORDS FOR
POWER TEAM ELECTRIC PUMPS**

| Current At Full Load (Amps) | Cord Size AWG (mm ²) 3.2 Volt Drop | | | |
|-----------------------------------|--|------------------------|--------------------------|---------------------------|
| | Length of Cord | | | |
| | 0-25 feet (0-8 m) | 25-50 feet (8-15 m) | 50-100 feet (15-30 m) | 100-150 feet (30-45 m) |
| 6 | 18 (.82) | 16 (1.33) | 14 (2.09) | 12 (3.32) |
| 8 | 18 (.82) | 16 (1.33) | 12 (3.32) | 10 (5.37) |
| 10 | 18 (.82) | 14 (2.09) | 12 (3.32) | 10 (5.37) |
| 12 | 16 (1.33) | 14 (2.09) | 10 (5.37) | 8 (8.37) |
| 14 | 16 (1.33) | 12 (3.32) | 10 (5.37) | 8 (8.37) |
| 16 | 16 (1.33) | 12 (3.32) | 10 (5.37) | 8 (8.37) |
| 18 | 14 (2.09) | 12 (3.32) | 8 (8.37) | 8 (8.37) |
| 20 | 14 (2.09) | 12 (3.32) | 8 (8.37) | 6 (13.30) |
| 22 | 14 (2.09) | 10 (5.37) | 8 (8.37) | 6 (13.30) |
| 24 | 14 (2.09) | 10 (5.37) | 8 (8.37) | 6 (13.30) |
| 26 | 12 (3.32) | 10 (5.37) | 8 (8.37) | 6 (13.30) |
| 28 | 12 (3.32) | 10 (5.37) | 6 (13.30) | 4 (21.29) |
| 30 | 12 (3.32) | 10 (5.37) | 6 (13.30) | 4 (21.29) |