

Parts List for:

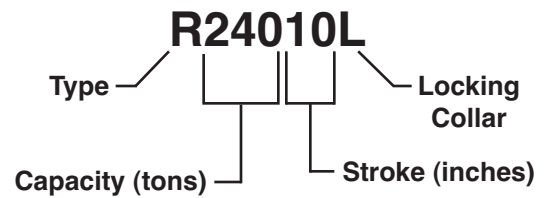
R155, R240, R375, R470, R620, R740, R965, &  
122010 Series  
(See Product Part No. definition below)

## SINGLE-ACTING, GRAVITY RETURN, LOCKING COLLAR HYDRAULIC CYLINDER

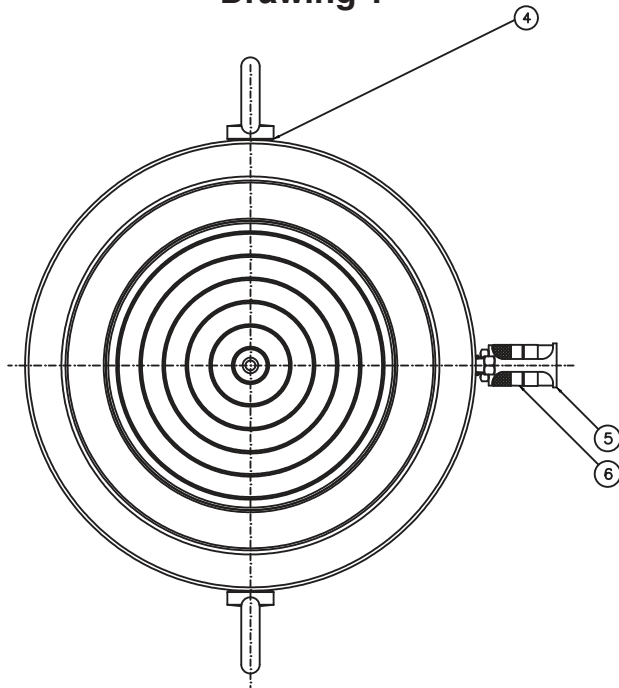
Max. Capacity: (See chart below)

CAPACITY PER PART NO.	TONS AT 10,000 PSI MAX.
155	155
240	242
375	379
470	475
620	620
740	742
965	970
1220	1227

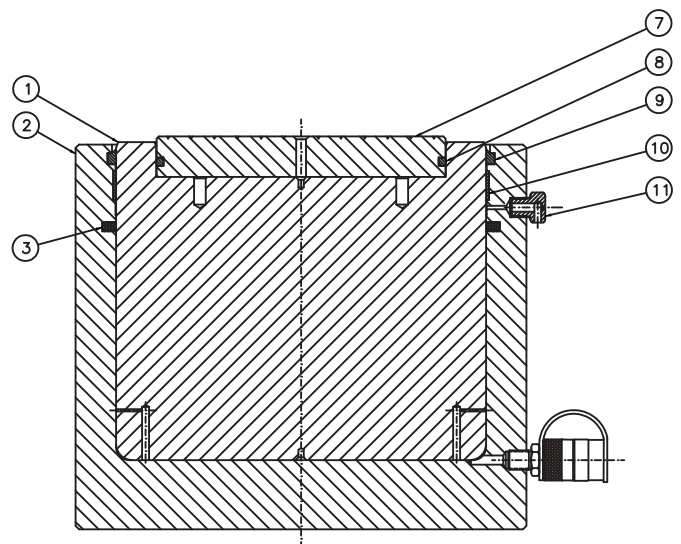
Product Part No. Definition



Drawing 1



Drawing 2



# Parts List, Form No. 1000232, Back sheet 1 of 2

## 155 TON CYLINDER, CONSTRUCTION

(See Drawing 1)

ITEM NO.	QTY	SPX P/N	DESCRIPTION
1	1	R1552C-101	PISTON 2" Stroke
	1	R1556C-101	PISTON 6" Stroke
	1	R15510C-101	PISTON 10" Stroke
2	1	R1552C-102	COLLAR, LOCKING
3	2	R1552C-103	EYE-BOLT
4	1	R1552C-104	BODY, CYLINDER 2" St.
	1	R1556C-104	BODY, CYLINDER 6" St.
	1	R15510C-104	BODY, CYLINDER 10" St.
5	1	2000903	BEARING RING
6	1	R1552C-106	SEAL, PISTON
7	2	2000877	BEARING RING
8	1	R1552C-108	PAD
9	1	R1552C-109	O-RING
10	1	2000721	VENT, 1/4 NPT
11	1	25600-1	COUPLER, 3/8 FEMALE
12	1	9800	COVER, RUBBER DUST

## 240 TON CYLINDER, CONSTRUCTION

(See Drawing 2)

ITEM NO.	QTY	SPX P/N	DESCRIPTION
1	1	R2402C-101	PISTON 2" Stroke
		R2406C-101	PISTON 6" Stroke
		R2410C-101	PISTON 10" Stroke
2	1	R2402C-102	COLLAR, LOCKING
3	2	R2402C-103	EYE-BOLT
4	1	R2402C-104	BODY, CYLINDER 2" St.
	1	R2406C-104	BODY, CYLINDER 6" St.
	1	R24010C-104	BODY, CYLINDER 10" St.
5	1	2000904	BEARING RING
6	1	R2402C-106	SEAL, PISTON
7	1	2000895	BEARING RING
8	2	2000878	BEARING RING
9	1	R2402C-109	PAD
10	1	R2402C-110	O-RING
11	1	2000721	VENT, 1/4 NPT
12	1	25600-1	COUPLER, 3/8 FEMALE
13	1	9800	COVER, RUBBER DUST

## 375 TON CYLINDER, CONSTRUCTION

(See Drawing 1)

ITEM NO.	QTY	SPX P/N	DESCRIPTION
1	1	R3752C-101	PISTON 2" Stroke
	1	R3756C-101	PISTON 6" Stroke
	1	R37510C-101	PISTON 10" Stroke
2	1	R3752C-102	COLLAR, LOCKING
3	2	R2402C-103	EYE-BOLT
4	1	R3752C-104	BODY, CYLINDER 2" St.
	1	R3756C-104	BODY, CYLINDER 6" St.
	1	R37510C-104	BODY, CYLINDER 10" St.
5	3	2000897	BEARING RING
6	1	R3752C-106	SEAL, PISTON
7	1	2000881	BEARING RING
8	1	R3752C-108	PAD
9	1	R3752C-109	O-RING
10	1	2000721	VENT, 1/4 NPT
11	1	25600-1	COUPLER, 3/8 FEMALE
12	1	9800	COVER, RUBBER DUST

## 470 TON CYLINDER, CONSTRUCTION

(See Drawing 2)

ITEM NO.	QTY	SPX P/N	DESCRIPTION
1	1	R4702C-101	PISTON 2" Stroke
	1	R4706C-101	PISTON 6" Stroke
	1	R47010C-101	PISTON 10" Stroke
2	1	R4702C-102	COLLAR, LOCKING
3	2	R2402C-103	EYE-BOLT
4	1	R4702C-104	BODY, CYLINDER 2" St.
	1	R4706C-104	BODY, CYLINDER 6" St.
	1	R47010C-104	BODY, CYLINDER 10" St.
5	1	2000898	BEARING RING
6	1	R4702C-106	SEAL, PISTON
7	2	2000866	BEARING RING
8	1	2000883	BEARING RING
9	1	R4702C-109	PAD
10	1	R4702C-110	O-RING
11	1	2000721	VENT, 1/4 NPT
12	1	25600-1	COUPLER, 3/8 FEMALE
13	1	9800	COVER, RUBBER DUST

Refer to any operating instructions included with this product for detailed information about operation, testing, disassembly, reassembly, and preventive maintenance.

Items found in this parts list have been carefully tested and selected. **Therefore: Use only genuine Power Team replacement parts!**

Additional questions can be directed to our Technical Services Department.

**620 TON** CYLINDER, CONSTRUCTION

(See Drawing 1)

ITEM NO.	QTY	SPX P/N	DESCRIPTION
1	1	R6202C-101	PISTON 2" Stroke
	1	R6206C-101	PISTON 6" Stroke
	1	R62010C-101	PISTON 10" Stroke
2	1	R6202C-102	COLLAR, LOCKING
3	2	R2402C-103	EYE-BOLT
4	1	R6202C-104	BODY, CYLINDER 2" St.
	1	R6206C-104	BODY, CYLINDER 6" St.
	1	R62010C-104	BODY, CYLINDER 10" St.
5	1	2000886	BEARING RING
6	1	R6202C-106	SEAL, PISTON
7	2	2000868	BEARING RING
8	1	R6202C-108	PAD
9	1	R6202C-109	O-RING
10	1	2000721	VENT, 1/4 NPT
11	1	25600-1	COUPLER, 3/8 FEMALE
12	1	9800	COVER, RUBBER DUST

**740 TON** CYLINDER, CONSTRUCTION

(See Drawing 2)

ITEM NO.	QTY	SPX P/N	DESCRIPTION
1	1	R7402C-101	PISTON 2" Stroke
		R7406C-101	PISTON 6" Stroke
		R7410C-101	PISTON 10" Stroke
2	1	R7402C-102	COLLAR, LOCKING
3	2	R37510C-103	EYE-BOLT
4	1	R7402C-104	BODY, CYLINDER 2" St.
	1	R7406C-104	BODY, CYLINDER 6" St.
	1	R74010C-104	BODY, CYLINDER 10" St.
5	1	2000901	BEARING RING
6	1	R7402C-106	SEAL, PISTON
7	2	2000870	BEARING RING
8	1	2000888	BEARING RING
9	1	R7402C-109	PAD
10	1	R7402C-110	O-RING
11	1	2000721	VENT, 1/4 NPT
12	1	25600-1	COUPLER, 3/8 FEMALE
13	1	9800	COVER, RUBBER DUST

**965 TON** CYLINDER, CONSTRUCTION

(See Drawing 1)

ITEM NO.	QTY	SPX P/N	DESCRIPTION
1	1	R3752C-101	PISTON 2" Stroke
	1	R3756C-101	PISTON 6" Stroke
	1	R37510C-101	PISTON 10" Stroke
2	1	R9652C-102	COLLAR, LOCKING
3	2	R9652C-103	EYE-BOLT
4	1	R3752C-104	BODY, CYLINDER 2" St.
	1	R3756C-104	BODY, CYLINDER 6" St.
	1	R37510C-104	BODY, CYLINDER 10" St.
5	1	R1552C-107	BEARING RING
6	1	R9652C-106	SEAL, PISTON
7	4	R4702C-107	BEARING RING
8	1	R7402C-109	PAD
9	1	R7402C-110	O-RING
10	1	2000721	VENT, 1/4 NPT
11	1	25600-1	COUPLER, 3/8 FEMALE
12	1	9800	COVER, RUBBER DUST

**1220 TON** CYLINDER, CONSTRUCTION

(See Drawing 2)

ITEM NO.	QTY	SPX P/N	DESCRIPTION
1	1	R12202C-101	PISTON 2" Stroke
	1	R12206C-101	PISTON 6" Stroke
	1	R122010C-101	PISTON 10" Stroke
2	1	R12202C-102	COLLAR, LOCKING
3	2	R2402C-103	EYE-BOLT
4	1	R4702C-104	BODY, CYLINDER 2" St.
	1	R4706C-104	BODY, CYLINDER 6" St.
	1	R47010C-104	BODY, CYLINDER 10" St.
5	1	2000874	BEARING RING
6	1	R4702C-106	SEAL, PISTON
7	2	R12202C-107	BEARING RING
8	1	R12202C-108	BEARING RING
9	1	R4702C-109	PAD
10	1	R4702C-110	O-RING
11	1	2000721	VENT, 1/4 NPT
12	1	25600-1	COUPLER, 3/8 FEMALE
13	1	9800	COVER, RUBBER DUST