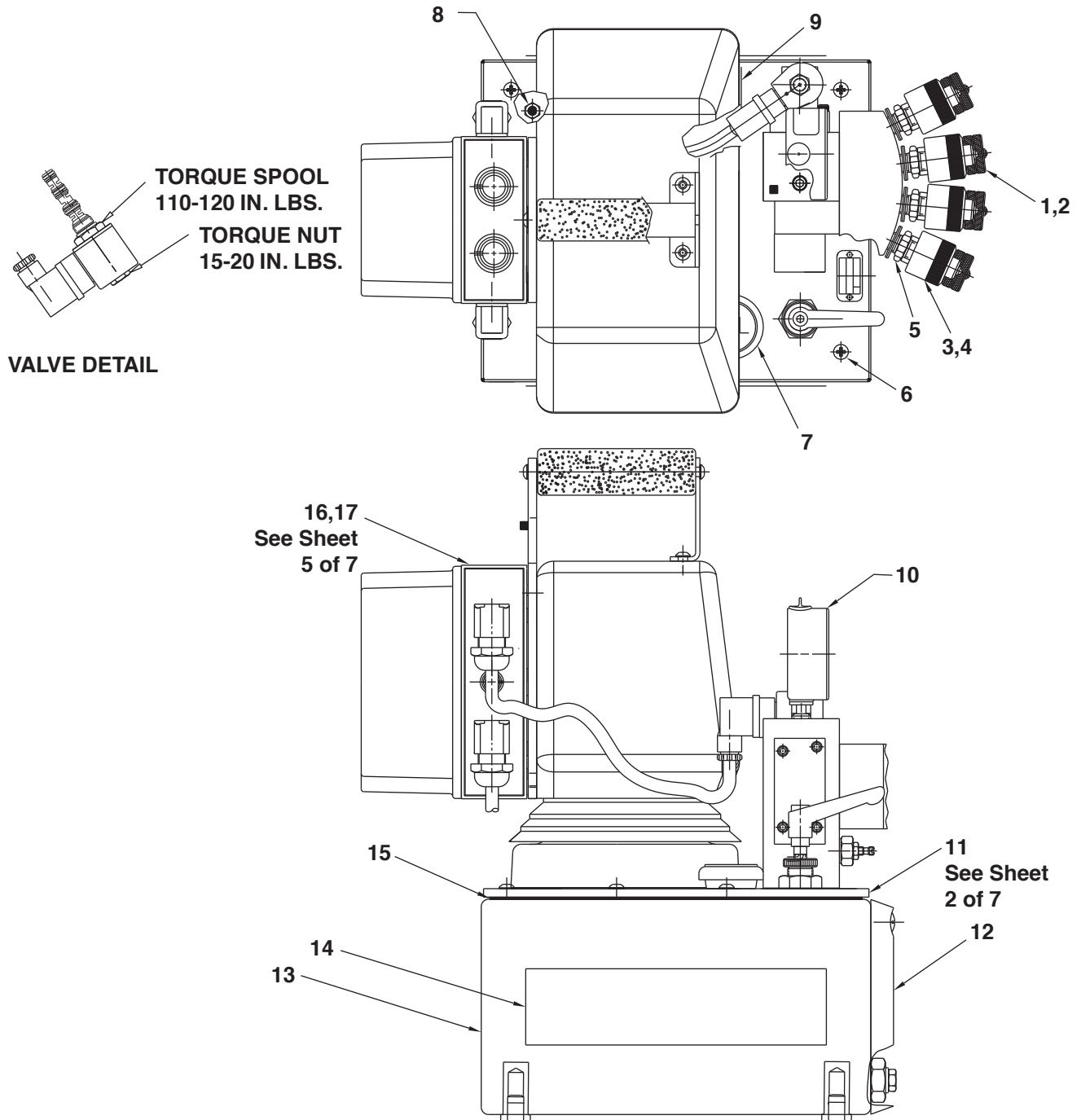




## MODEL C ELECTRIC HYDRAULIC PUMP Maximum Capacity: 10,000 PSI



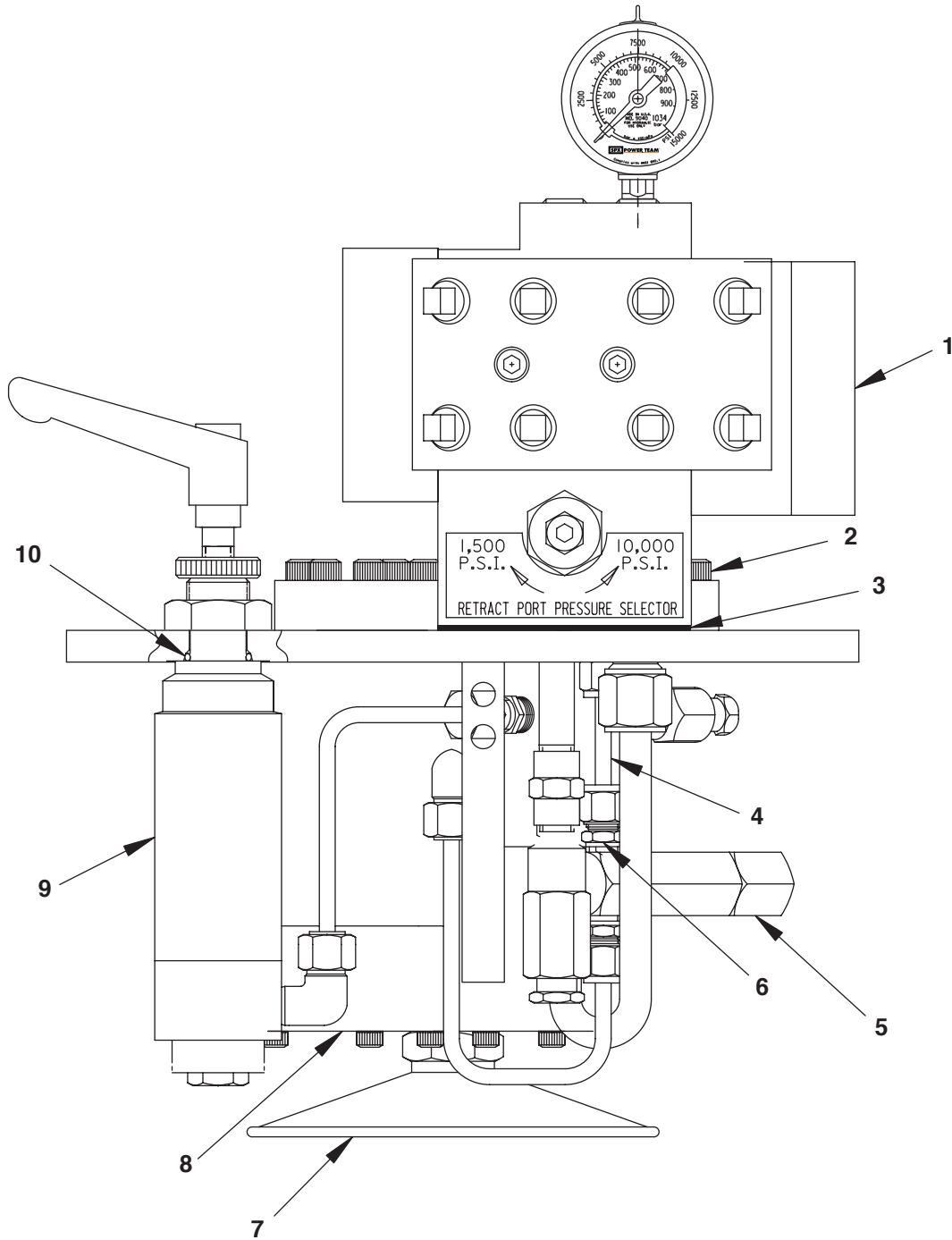
## Parts List, Form No. 1000510, Back sheet 1 of 7

---

<b>Item No.</b>	<b>Part No.</b>	<b>No. Req'd</b>	<b>Description</b>
1	*251410	4	Quick Coupler
2	*252364	4	Dust Plug
3	*251411	4	Quick Plug Coupler
4	*252365	4	Dust Cap
5	*10672	4	Straight Fitting
6	10177	10	Screw, Round Hd (1/4-20 x 3/4)
7	350925	1	Filler Cap
8	251599	1	Vent, Breather Filter
9	215163	1	Decal, Specifications
10	9040	1	Gauge (10,000 psi, 2 1/2" Dia.)
11	3000118	1	Cover Plate Assembly
12	17586	1	Sight Gauge (1-1/2")
13	65599OR9	1	Reservoir (2 gal.)
14	309219CE	2	Decal, (Tradename Power Team)
15	40164	1	Gasket, Reservoir
16	3000173	1	Assembly, Motor Control
	3000174	1	Assembly, Motor Control (for PE55TWP-4-E110)
17	21091	1	Coupling

Part numbers marked with an asterisk (\*) are included with  
3000113BK Valve Assembly

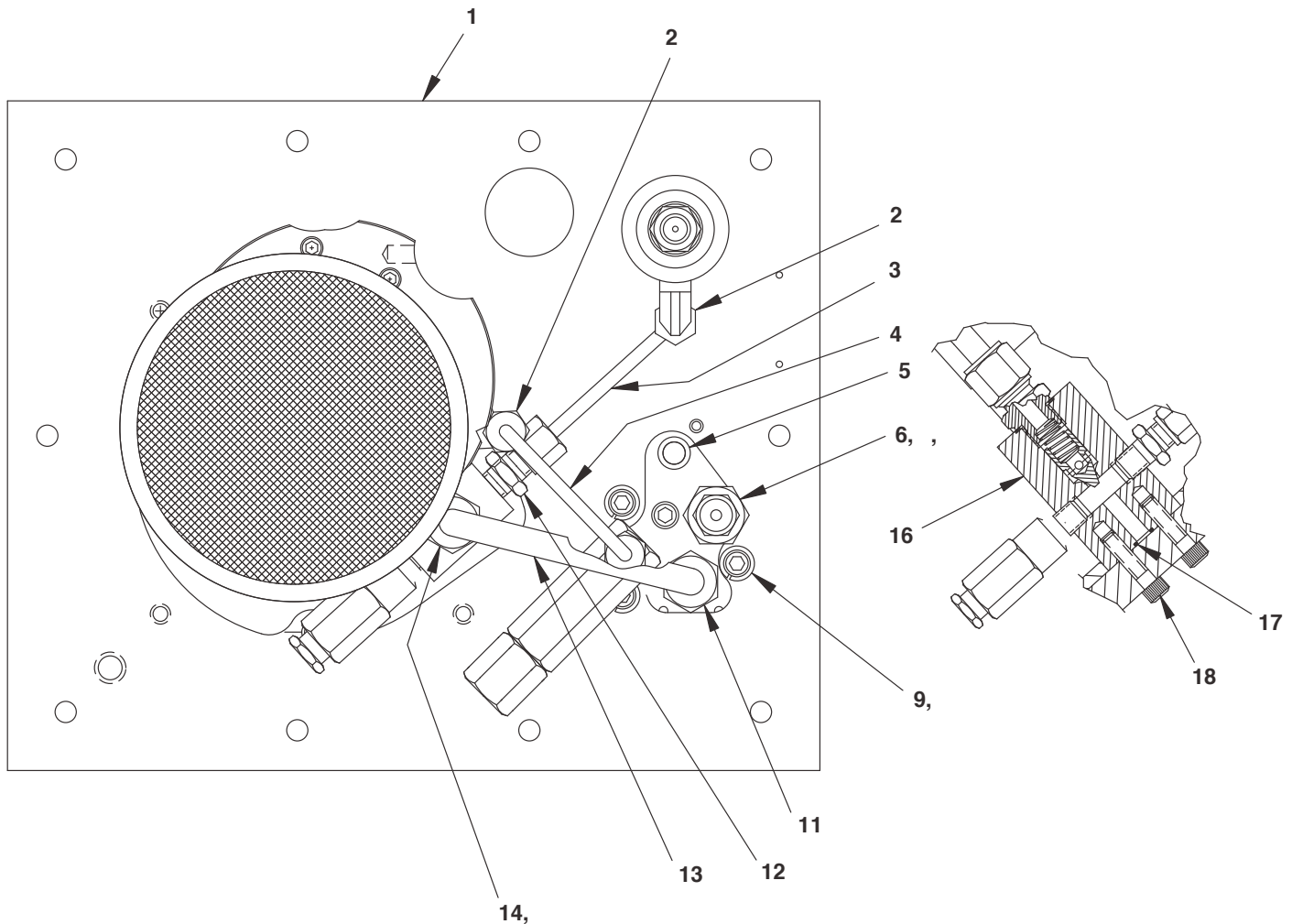
GENERAL PUMP SIDE VIEW



Item No.	Part No.	No. Req'd	Description
1	3000113BK	1	Valve, Solenoid (4 Way Open Ctr)
2	10016	3	Screw, Socket Hd (1/4-20 x 1)
3	351095	1	Gasket, Valve
4	360029	1	Tube, Oil Line
5	21943	1	Accumulator

Item No.	Part No.	No. Req'd	Description
6	14844	3	Fitting, Straight (1/8 NPTF)
7	21344	1	Screen, Filter
8	41064-2	1	Pump, Basic
9	421429	1	Regulator, Pressure
10	10527	1	O-Ring (Nitrile .37 x .25)

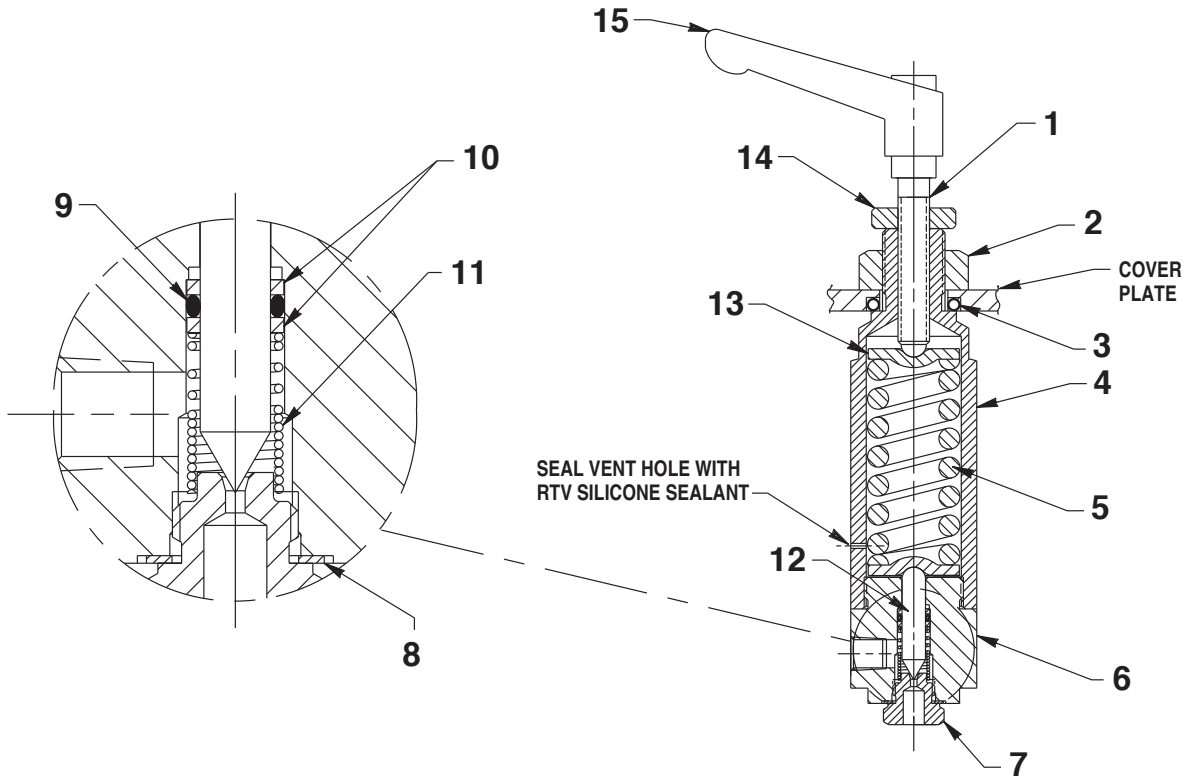
## GENERAL PUMP BOTTOM VIEW & SECTION A-A



Item No.	Part No.	No. Req'd	Description
1	2000212	1	Plate, Cover
2	16177	2	90° Elbow Fitting
3	2000221	1	Tube, Oil Line
4	253562	1	Tube, Pressure Regulator
5	250630	1	Tube, Drain
6	21278-15	1	Valve, Relief 1500 psi
7	18841	1	Fitting, Straight(1/8 NPTF)
8	15456	1	Fitting, Straight(1/8 NPTF)
9	10008	3	Screw, Socket Hd (1/4-20 x 3/4) (Apply Loctite #243, Torque to 110-120 In. Lbs.)
10	10245	3	Washer, Lock (.49 x .26)

Item No.	Part No.	No. Req'd	Description
11	10661	1	Fitting, Straight(1/4 NPTF)
12	14844	1	Fitting, Straight(1/8 NPTF)
13	351203	1	Tube, Oil Line
14	10430	1	Sleeve, Tube (3/8 Dia.)
15	10431	1	Fitting, Nut Tube 3/8 Tube
16	21277-2	1	Valve, Check and 10,000 psi Relief
17	10266	1	O-Ring (Nitrile .37 x .25)
18	10015	2	Screw, Socket Hd (1/4-28 x 1) (Torque to 130-180 In. Lbs.)

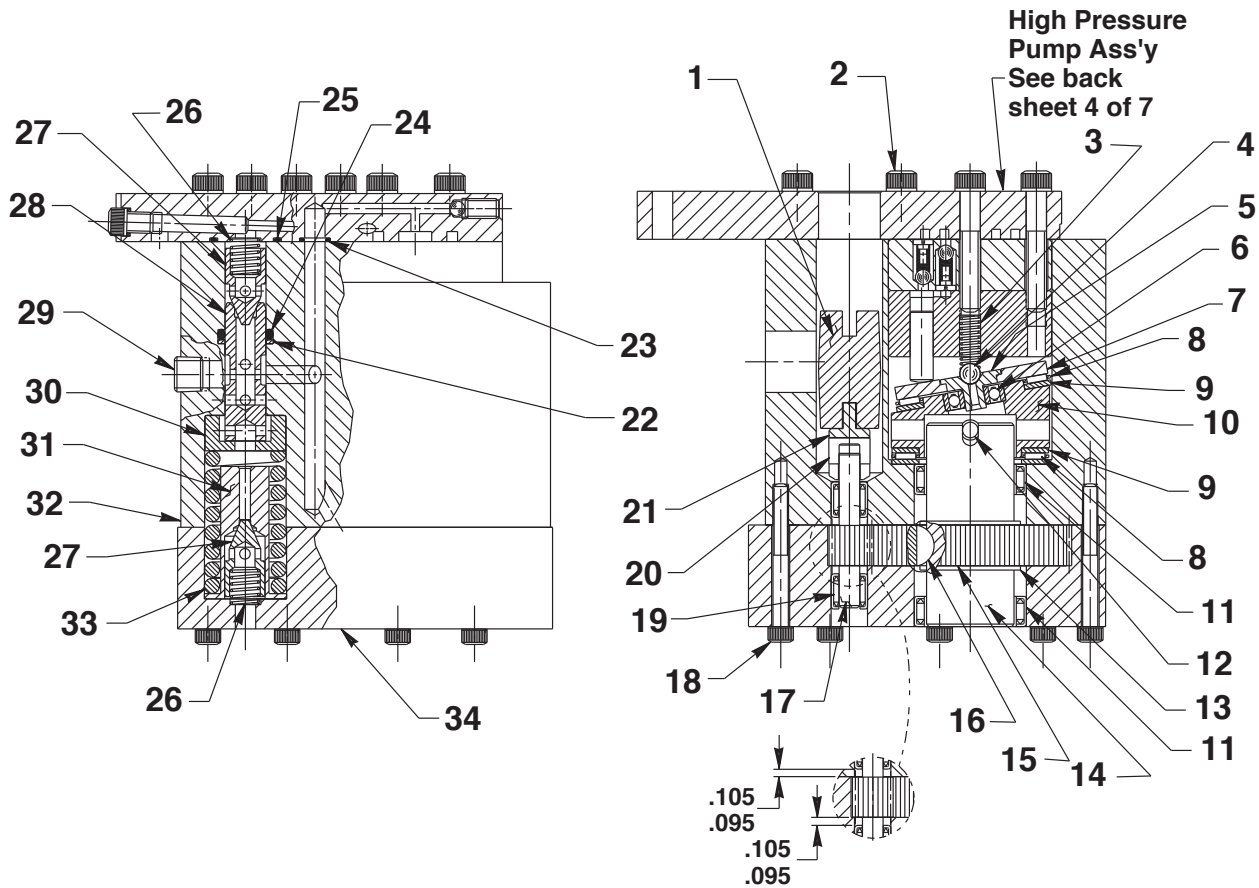
### #421429 PRESSURE REGULATOR ASSEMBLY



Item No.	Part No.	No. Req'd	Description
1	252427	1	Adjustment Stem (Note: Assemble to handle with Loctite 242 or equiv.)
2	10396	1	Jam Nut (3/4"-16)
3	10527	1	O-ring (Note: Not Included with Assembly)
4	351350	1	Regulator Housing
5	215429	1	Compression Spring (1.100 O.D. X 2-1/2 Lg.)
6	420891	1	Regulator Body
7	351343	1	Seat Fitting (Torque to 440/460 in. lbs.)
8	14874	1	Copper Washer (.700 X 1/2 X 1/32)

Item No.	Part No.	No. Req'd	Description
9	10266	1	O-ring (3/8 X 1/4 X 1/16)
10	215430	2	Backup Washer (.385 x .282 x .050)
11	215431	1	Spring (3/8 O.D. x 21/32 Lg.; Note: Assemble closed coils of spring form towards seat fitting [Item#7])
12	309079	1	Poppet
13	215428	2	Spring Retainer (Grease pocket before assembling [both ends])
14	215683	1	Regulator Locking Nut (3/8-24)
15	252332	1	Adjustable Handle

## BASIC PUMP ASSEMBLY

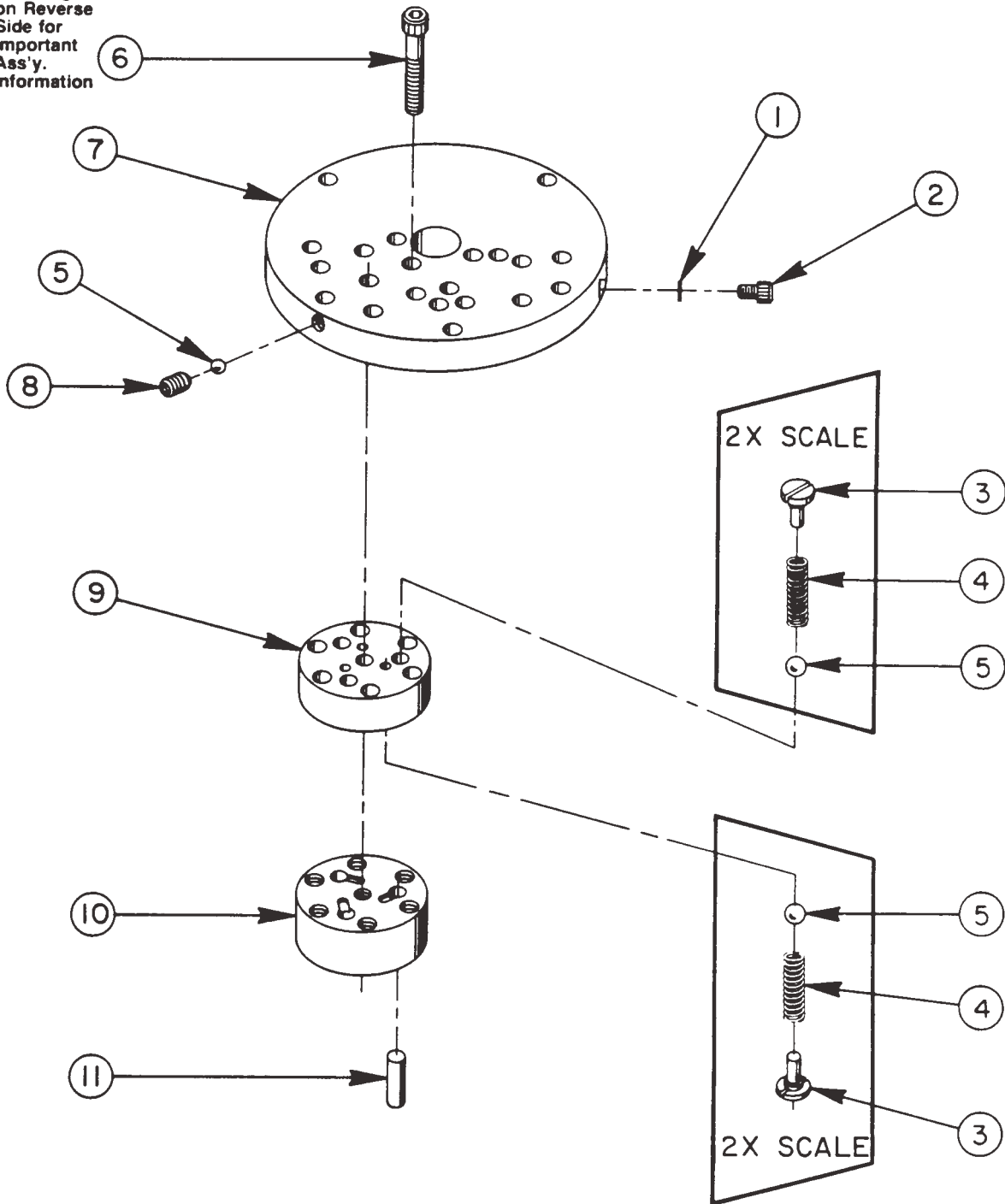


Item No.	Part No.	No. Req'd	Description
1	21091	1	Coupling
2	10020	9	Soc. Hd. Screw (1/4-20 x 1-1/4; Torque to 170/180 in. lbs.)
3	10361	1	Spring (.25 OD x 1" x .03 WS)
4	10375	1	Ball (1/4 dia. steel)
5	23547	1	Bearing Top Plate
6	11814	1	Ball Bearing
7	23548	1	Top Plate
8	11228	2	Needle Bearing
9	11813	3	Bearing Race
10	23549	1	Angle Plate
11	11064	2	Needle Bearing
12	11955	1	Spring Slotted Pin (.25 x 1.75)
13	11261	2	Ext. Retaining Ring (1.05 x .050)
14	23556	1	Shaft
15	23574	1	Drive Gear
16	11821	1	Woodruff Key
17	20774	1	Connector Fitting (9/16 x 5/8)

Item No.	Part No.	No. Req'd	Description
18	10001	13	Soc. Hd. Screw (10-32 x 1-3/4; Torque to 50/60 in. lbs.)
19	11198	2	Needle Bearing
20	21093	1	Key
21	21092	1	Adapter
22	12389	1	Backup Washer (.69 x .50)
23	10266	1	O-ring (.37 x .25 Nitrile)
24	10271	1	O-ring (.68 x .50 Nitrile)
25	10303	1	O-ring (.87 x .75 Nitrile)
26	10425	2	Spring (.37 OD x .75 x .03 WS)
27	20771	2	Poppet
28	0849	1	Spool
29	10427	1	Plug Fitting (1/8 NPTF)
30	23255	1	Spring Guide
31	23256	1	Spring Guide
32	40071	1	Pump Body
33	10426	1	Spring (1" OD x 1.8 x .19 WS)
34	40072	1	End Plate

# HIGH PRESSURE PUMP ASSEMBLY

See Diagram  
on Reverse  
Side for  
Important  
Ass'y.  
Information



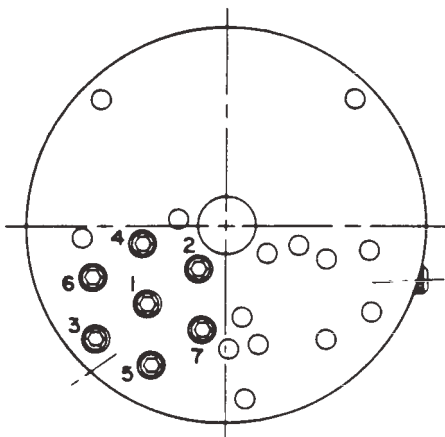
### 33113 HIGH PRESSURE PUMP ASSEMBLY

3 Pistons --- 9/32 Dia.

Item No.	Part No.	No. Req'd	Description
1	10442	1	Copper Washer
2	10002	1	Soc. Hd. Cap Screw (1/4-20 UNC X 3/8 Lg.; Torque to 140/160 in. lbs.)
3	*24549	6	Valve Guide
4	*10445	6	Compression Spring (5/32 O.D. X 3/4 Lg.)
5	*12223	7	Steel Ball (3/16 dia.)
6	*10023	7	Soc. Hd. Cap Screw (1/4-28 UNF X 1-1/2" Lg.; Torque to 170/180 in. lbs.)
7	*50411	1	Top Plate
8	10519	1	Soc. Set Screw (Torque to 65/70 in. lbs.)
9	*40630	1	Valve Head
10	*41062	1	Pump Barrel
11	*21628	3	Piston

Consult factory when replacing items marked with an asterisk (\*).

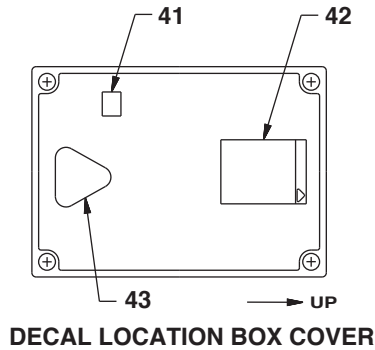
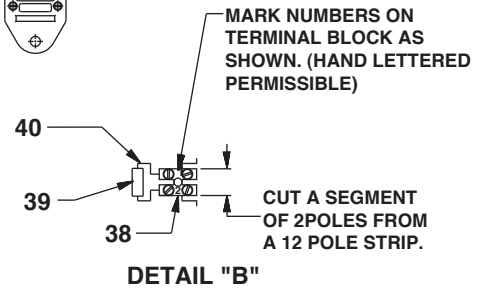
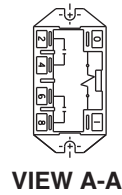
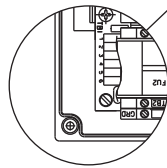
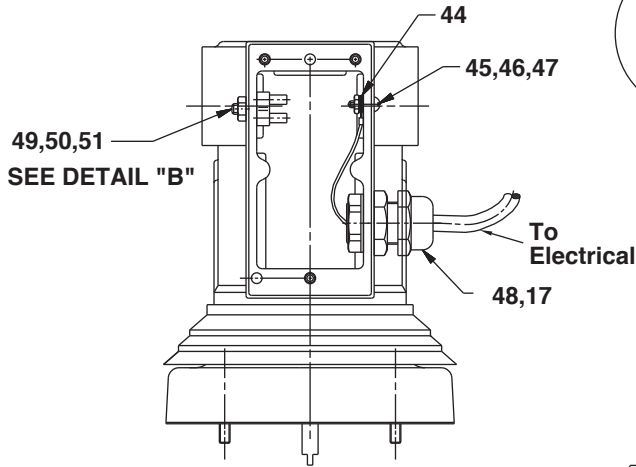
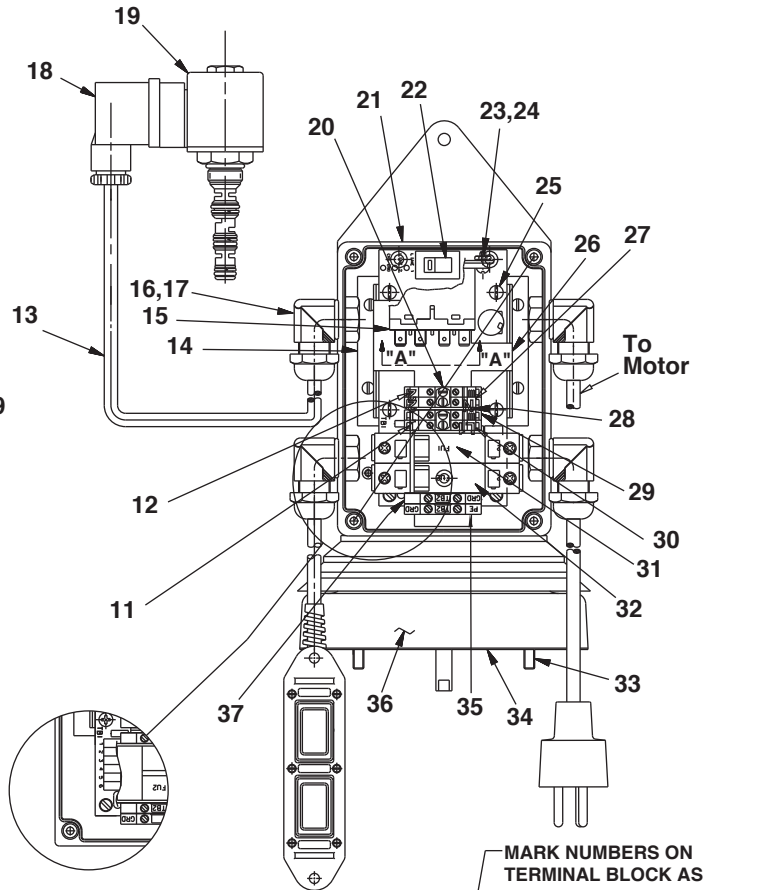
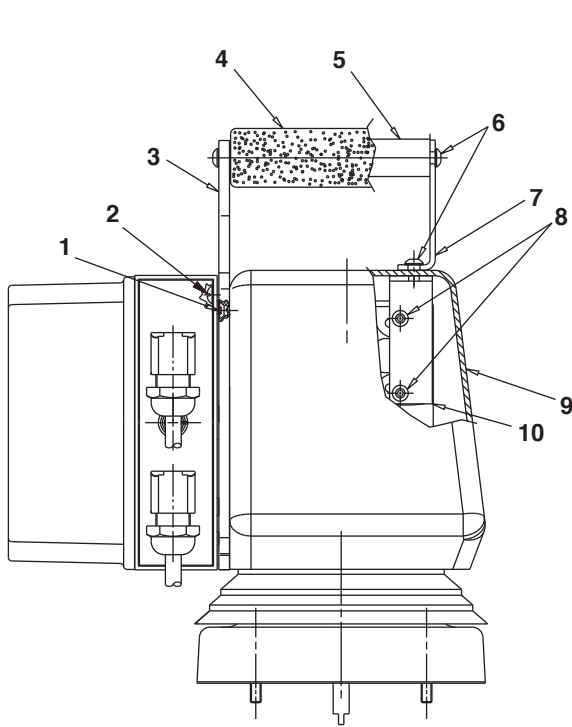
### BOLT TIGHTENING SEQUENCE



**Note:** Assemble in sequence shown.  
Lubricate under head and on threads.  
Torque to 170/180 in. lbs.



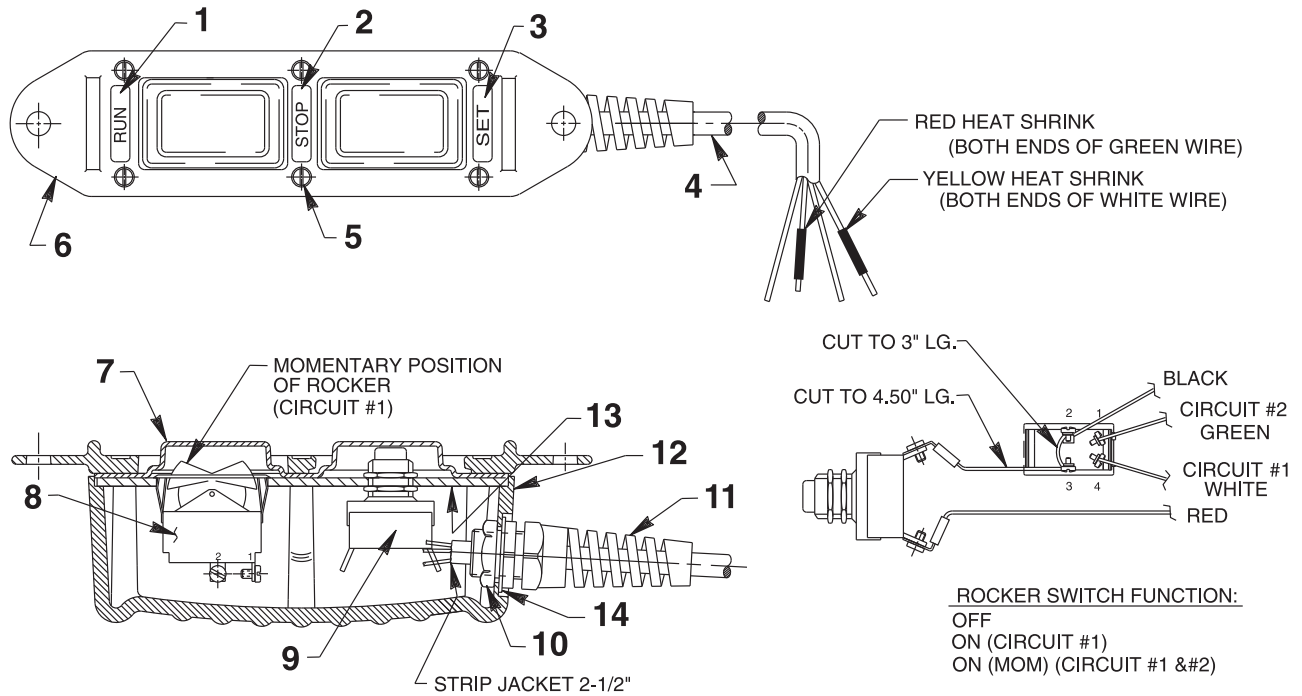
### MOTOR AND CONTROL ASSEMBLY



# Parts List, Form No. 1000510, Back sheet 5 of 7

Item No.	Part No.	No. Req'd	Description
1	253140	3	Screw, Flat Hd. (10-24 x 5/8)
2	12409	4	Screw, Round Hd. (8-32 x 5/8)
3	59028BK2	1	Mounting Bracket
4	216668	1	Grip, Handle
5	252020	1	Handle
6	251437	4	Screw, Button Hd. (1/4-20 x 1/2)
7	351189BK2	1	Bracket, Handle
8	251486	4	Screw, Button Hd. (10-24 x 1/2)
9	65758	1	Cover
10	421212	1	Bracket
11	2000162	2	Card, Marker 1
12	2000163	2	Card, Marker 2
13	253592	1	Cable, (.75MM/3 HAR 1.42 Ft.)
14	421663	1	Relay, 240 Volt
	360001	1	Relay, 120 Volt (for PE55TWP-4-E110)
15	351588	1	Mounting Plate
16	260068	4	Bushing, Strain Relief 90 Degree
17	216680	5	Conduit Locknut
18	253405	1	Connector
19	351844	1	Valve, Solenoid (4 way 3000 psi)
	351843	1	Valve, Solenoid (4 way 3000 psi; for PE55TWP-4-E110)
20	251845	2	Jumper, Center 2-Pole
21	59036	1	Control Box
22	421477	1	Board, Circuit
23	10447	2	Screw, Round Hd. (8-32 x 5/16)
24	10196	2	Nut, Hex (8-32)
25	260071	4	Screw, Round Hd. (8-32 x 3/4)
26	421608WH2	1	Mounting Bracket
27	2000160	1	Card, Marker N
28	251842	1	Barrier, End
29	251840	1	Block, Terminal
30	2000159	1	Card, Marker L1
31	360002-15	1	Breaker, Circuit 15 amp
	253135	1	Fuse Holder (for PE55TWP-4-E110)
32	351668	1	Fuse Holder
	253135	1	Fuse Holder (for PE55TWP-4-E110)
33	10022	4	Screw, Cap (1/4-20 x 1.5 Socket Hd.)
34	30650	2	Gasket, Motor Base
35	2000161	1	Card, Marker PE
36	65065	1	Basic Motor (220/230 V. 50/60 Hz.; See sheet 6 of 7)
	65249	1	Basic Motor (for PE55TWP-4-E110)
37	251841	2	Block, Grounding Terminal
38	351130	1	Block, Terminal
39	252195	1	Capacitor
40	206314	1	Tubing, Electrical (1/2 Foot)
41	350988	1	Decal, CE
42	251762	1	Decal, Warning
43	251898	1	Decal, Warning (CE Elec)
44	10443	1	Jumper, Center (2 Pole)
45	12354	1	Screw, Round Hd. (10-24 x 5/8)
46	11108	2	Washer, Tooth Ext (.40 x .20)
47	10197	2	Nut, Hex (10-24)
48	216666	1	Bushing, Strain Relief
49	10160	1	Screw, Machine (#6-32 x .875 Flat Slot Hd.)
50	15906	1	Washer, Tooth Ext (.31 x .15)
51	10195	1	Nut, Hex (6-32)

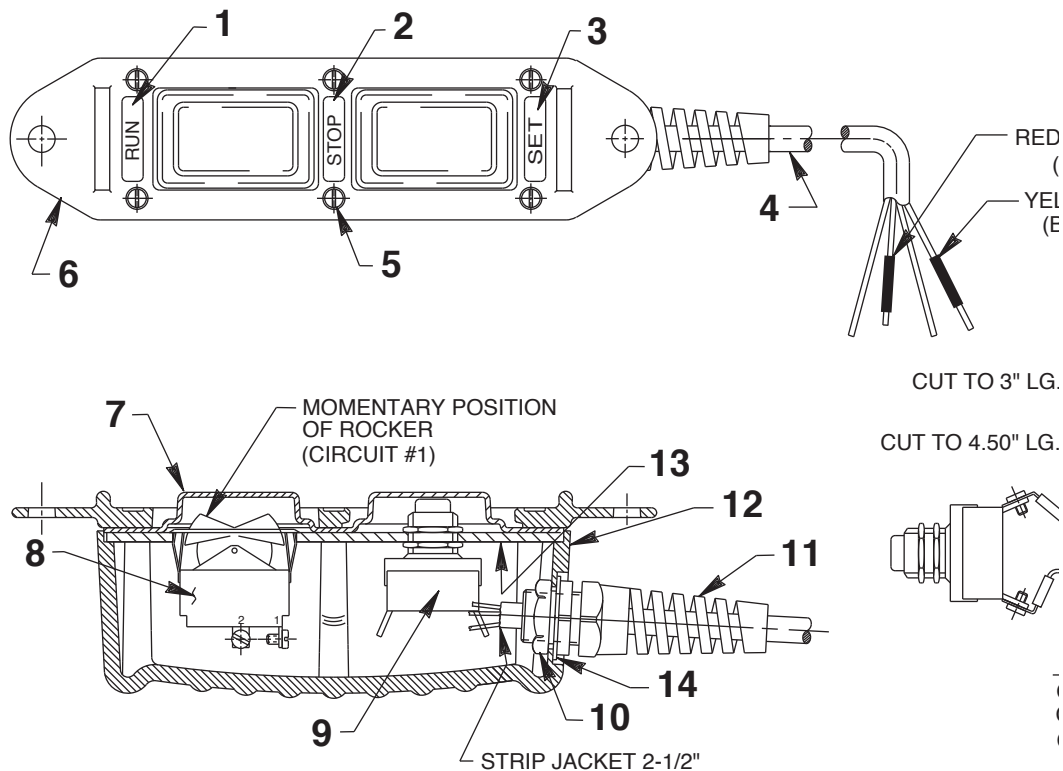
### #351160 REMOTE HAND SWITCH ASSEMBLY



Item No.	Part No.	No. Req'd	Description
1	203770	1	Decal (Run)
2	203769	1	Decal (Stop)
3	252431	1	Decal (Set)
4	11391	21'	Cable (18/4 SJTO)
5	250248	6	Screw (4-24 X 3/4 Lg.)
6	251044	1	Plastic Cover
7	420050-2	1	Gasket

Item No.	Part No.	No. Req'd	Description
8	420017	1	Rocker Switch
9	253197	1	Push Button Switch
10	251802	1	Locknut
11	251818	1	Strain Relief Bushing
12	420050-4	1	Switch Housing
13	420050-5	1	Switch Mounting Plate
14	253607	1	Gasket

## ELECTRIC MOTOR ASSEMBLY

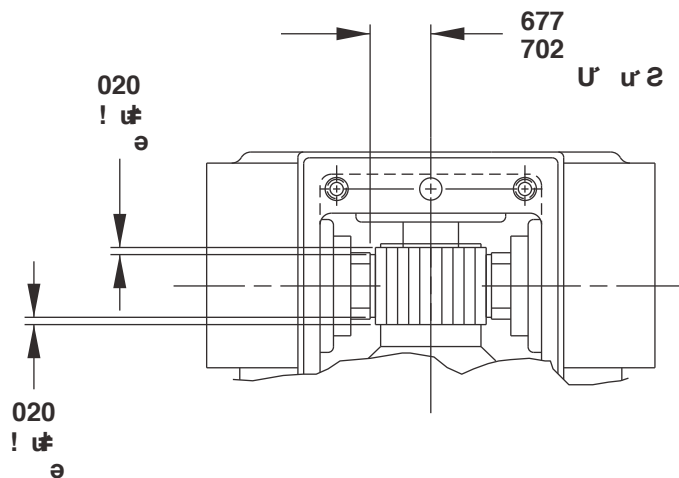


**Notes:**

1. Brush holders (#10805) must be installed with slot and dimple facing the open end of the motor shell casting.
2. Stator must be installed with part no. and date code up (must be visible thru the rectangular opening in the motor shell casting).
3. Insert flag terminals into adjacent brush holders.
4. Line leads must be routed thru the rectangular opening in the motor shell casting.
5. Press bearings on to armature and install as a unit into the motor shell casting.

Item No.	Part No.	No. Req'd	Description
1	10806	2	Brush Holder Cap
2	10804	2	Brush Assembly (For 115 v.)
	2001708	2	Brush Assembly (For 230 v.)
3	10805	2	Brush Holder
4	65064	1	Motor Shell
5	10133	2	Set Screw (#10-24 UNC X 1/4 Lg.)
7	20786	1	Baffle Plate
8	58841A	1	Armature (220 volt)
	10800	1	Armature (115 volt for 55TWP-4-E110)
9	10438	1	Ball Bearing
10	10241	4	Lockwasher (For #10 bolt)
11	10169	2	Screw (#10-24 UNC X 2" Lg.; Torque to 20/25 in. lbs.)
12	40059WH2	1	Motor Base
13	10439	1	Ball Bearing
14	10170	2	Screw (#10-24 UNC X 3-1/4 Lg.)
15	12356	2	Washer (#10 Internal Tooth)
16	58841F	1	Field (220 volt)
	10802	1	Field (115 volt for 55TWP-4-E110)
17	421204	1	Plastic Cover

## BRUSH HOLDER & ARMATURE INSTALLATION SPECIFICATION



When replacing brushes or the armature, the dimensions shown must be as specified.

**RECOMMENDED MINIMUM WIRE SIZE-AWG (mm<sup>2</sup>)  
OF EXTENSION CORDS FOR  
POWER TEAM ELECTRIC PUMPS**

Current At Full Load (Amps)	Cord Size AWG (mm <sup>2</sup> ) 3.2 Volt Drop			
	Length of Cord			
	0-25 feet (0-8 m)	25-50 feet (8-15 m)	50-100 feet (15-30 m)	100-150 feet (30-45 m)
6	18 (.82)	16 (1.33)	14 (2.09)	12 (3.32)
8	18 (.82)	16 (1.33)	12 (3.32)	10 (5.37)
10	18 (.82)	14 (2.09)	12 (3.32)	10 (5.37)
12	16 (1.33)	14 (2.09)	10 (5.37)	8 (8.37)
14	16 (1.33)	12 (3.32)	10 (5.37)	8 (8.37)
16	16 (1.33)	12 (3.32)	10 (5.37)	8 (8.37)
18	14 (2.09)	12 (3.32)	8 (8.37)	8 (8.37)
20	14 (2.09)	12 (3.32)	8 (8.37)	6 (13.30)
22	14 (2.09)	10 (5.37)	8 (8.37)	6 (13.30)
24	14 (2.09)	10 (5.37)	8 (8.37)	6 (13.30)
26	12 (3.32)	10 (5.37)	8 (8.37)	6 (13.30)
28	12 (3.32)	10 (5.37)	6 (13.30)	4 (21.29)
30	12 (3.32)	10 (5.37)	6 (13.30)	4 (21.29)