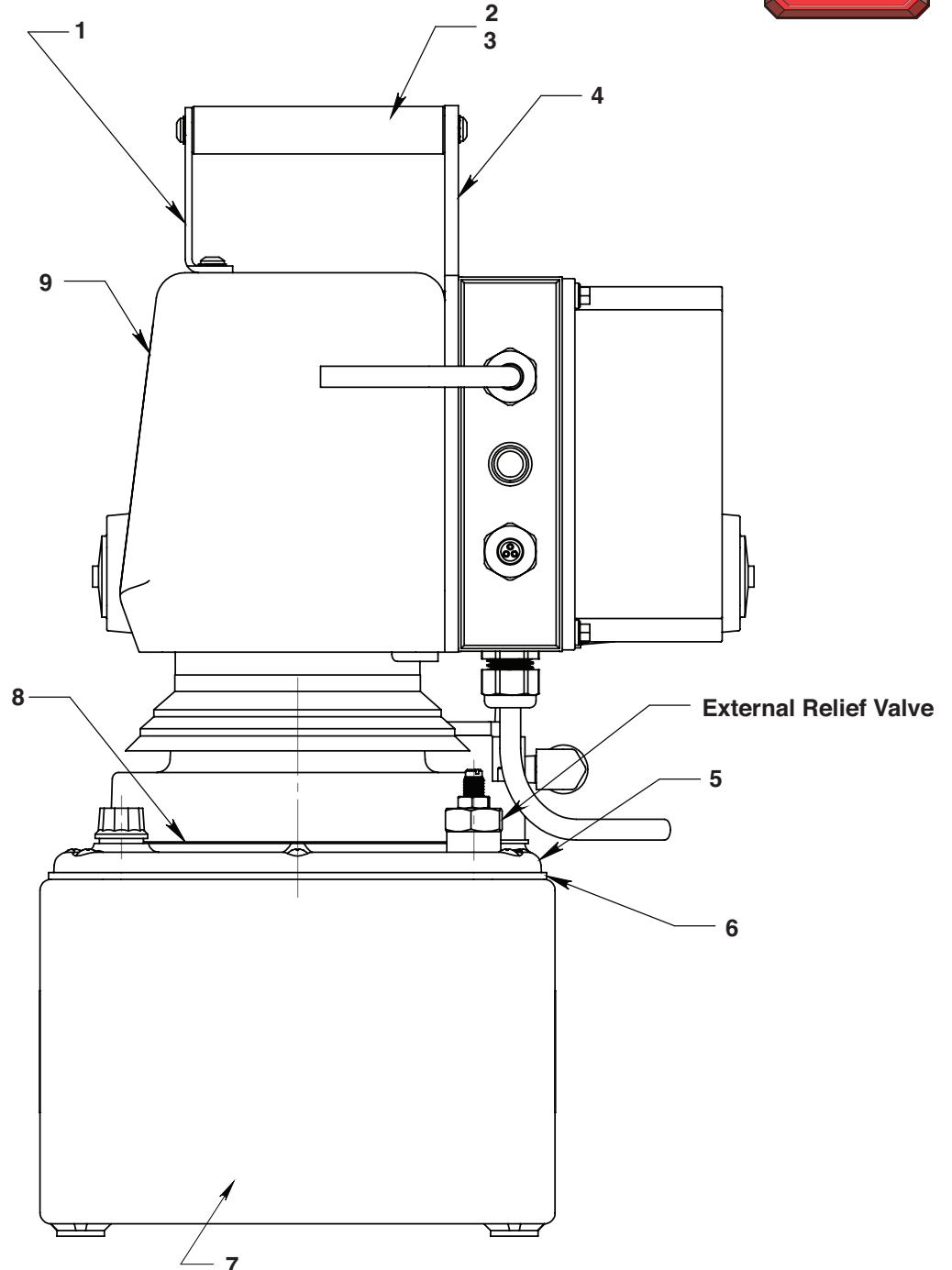


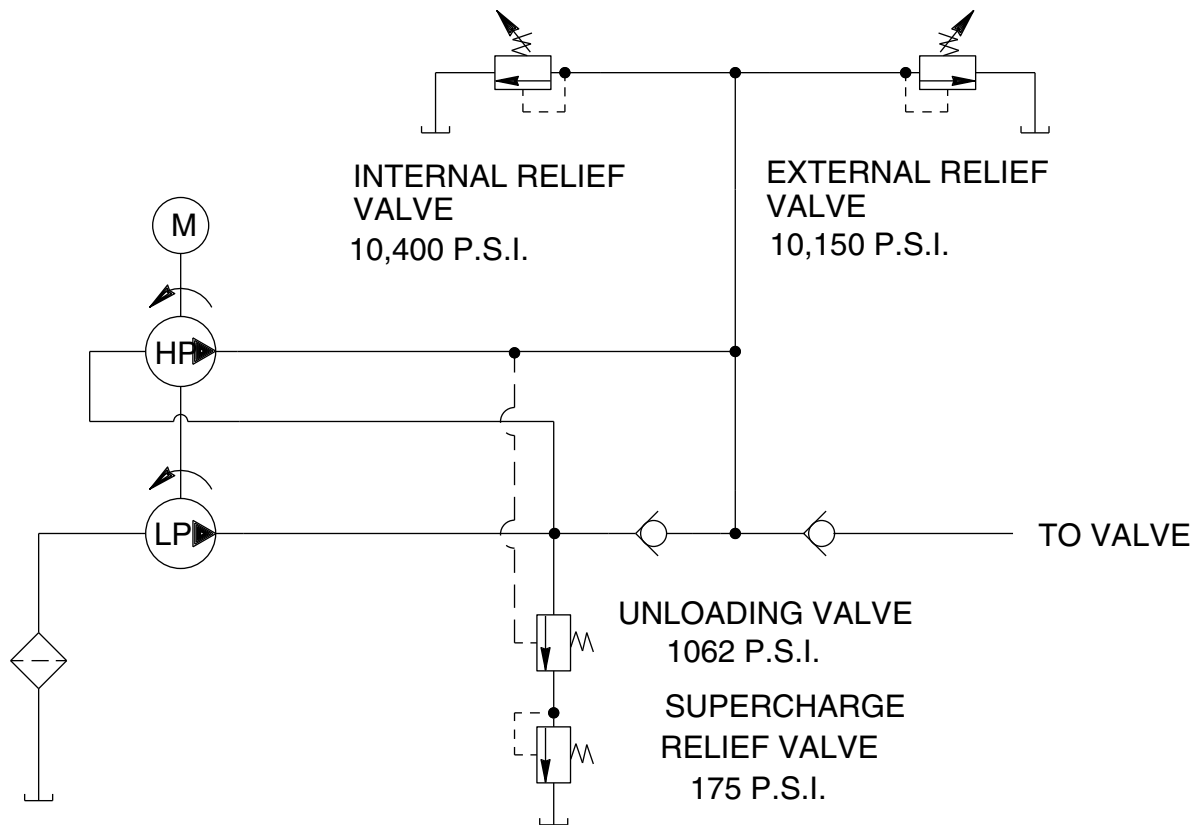
## MODEL B ELECTRIC HYDRAULIC PUMP



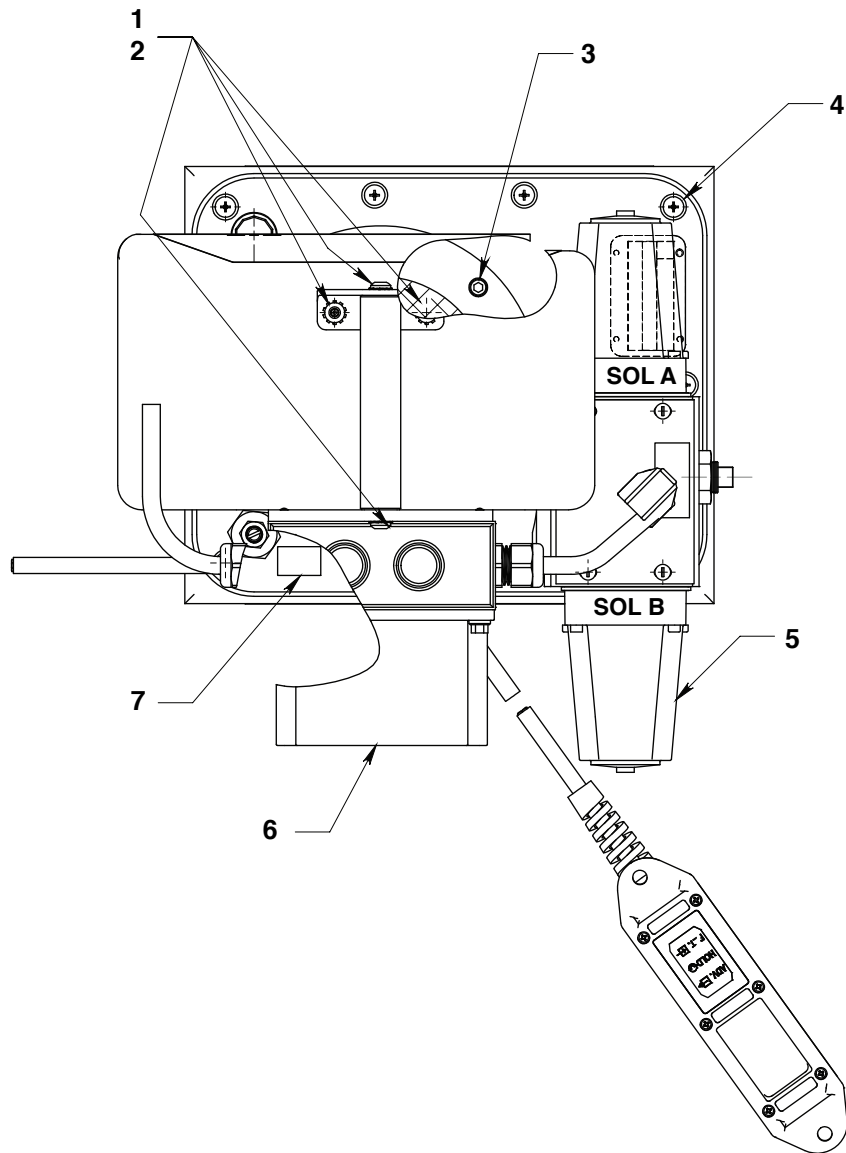
Item No.	Part No.	No. Req'd	Description
1	351189BK2	3	Bracket
2	251600	1	Grip, Handle
3	251020	1	Screw (3/8-16 x 1-3/4)
4	59028BK2	1	Bracket
5	50403	1	Cover Plate
6	40164	1	Gasket
7	40063OR9	1	Reservoir (2 gal.)
8	30650	1	Motor Base Gasket
9	65053-Q9812	1	Cover



### HYDRAULIC SCHEMATIC



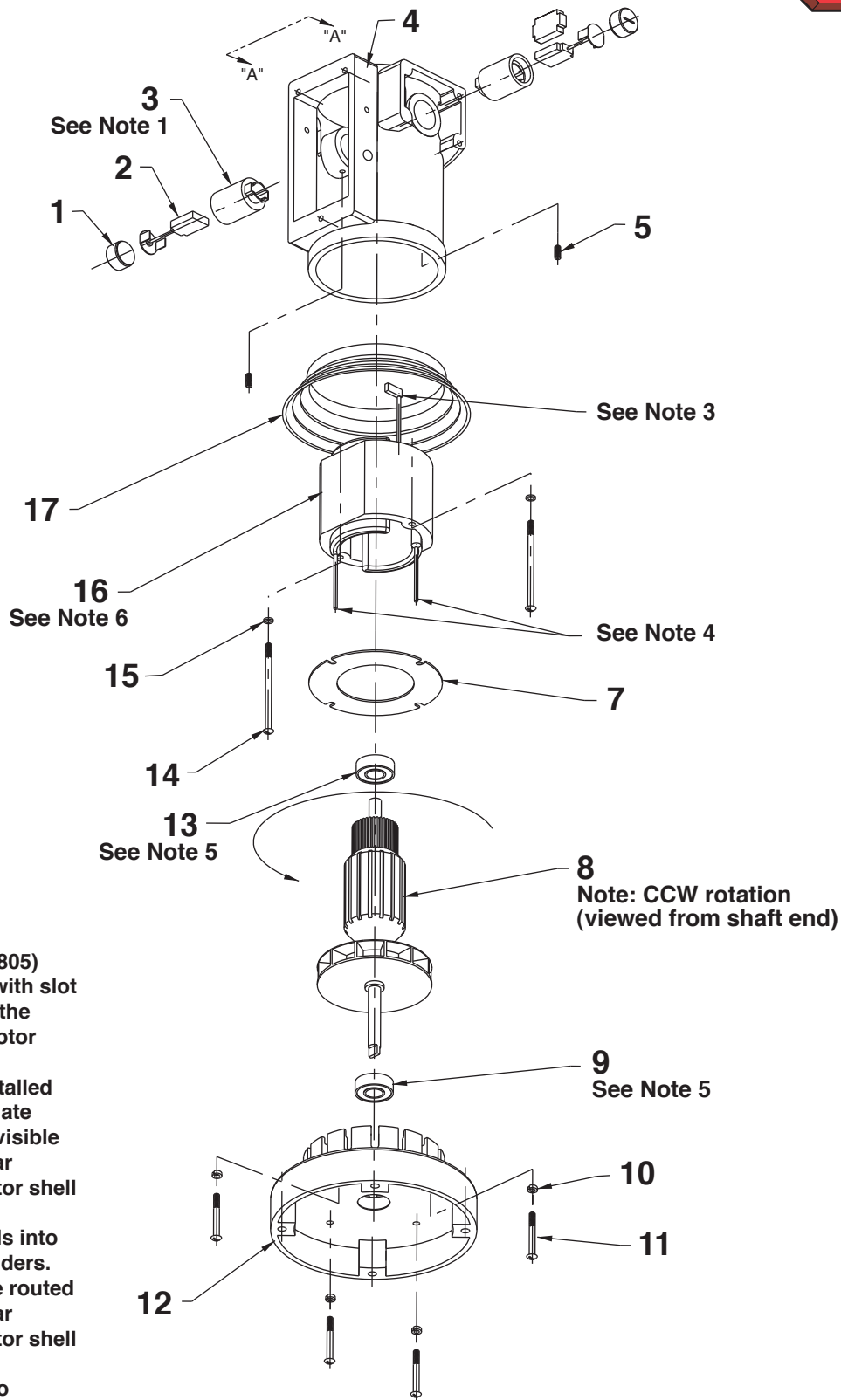
TOP VIEW



Item No.	Part No.	No. Req'd	Description
1	251437	1	Screw, Button (1/4-20 X 1/2" Lg.)
2	11351	1	Handle Grip
3	10022	4	Screw (1/4-20 X 1-1/4 Lg.)
4	10177	10	Screw (1/4-20 UNC X 3/4" Lg.)
5	66206-220	1	Valve, (Solenoid 4 way, 230v.)
6	66435-220-Q9812	1	Motor Control
7	252047	1	Decal, Instructions

# UNIVERSAL MOTOR

12,000 RPM, 115 & 230 Volt, 50/60 Hz.



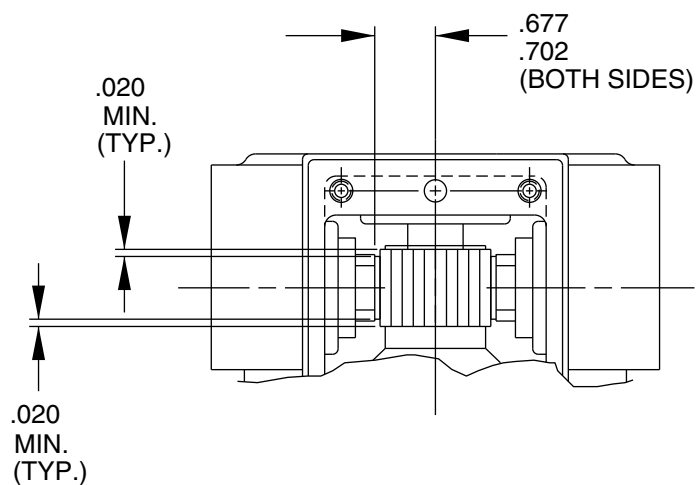
**Notes:**

1. Bush holders (#10805) must be installed with slot and dimple facing the open end of the motor shell casting.
2. Stator must be installed with part no. and date code up (must be visible thru the rectangular opening in the motor shell casting).
3. Insert flag terminals into adjacent brush holders.
4. Line leads must be routed thru the rectangular opening in the motor shell casting.
5. Press bearings into armature and install as a unit into the motor shell casting.

Item No.	Part No.	No. Req'd	Description
1	10806	2	Brush Holder Cap
2	10804	2	Brush Assembly (For 115 v.)
	2001708	2	Brush Assembly (For 230 v.)
3	10805	2	Brush Holder
4	65064	1	Motor Shell
5	10133	2	Set Screw (#10-24 UNC X 1/4 Lg.)
7	20786	1	Baffle Plate
8	10801	1	Armature (230 volt)
	10800	1	Armature (115 volt)
9	10438	1	Ball Bearing
10	10241	4	Lockwasher (For #10 bolt)
11	10169	2	Screw (#10-24 UNC X 2" Lg.; Torque to 20/25 in. lbs.)
12	40059WH2	1	Motor Base
13	10439	1	Ball Bearing
14	10170	2	Screw (#10-24 UNC X 3-1/4 Lg.)
15	12356	2	Washer (#10 Internal Tooth)
16	10803	1	Field (230 volt)
	10802	1	Field (115 volt)
17	421204	1	Plastic Cover

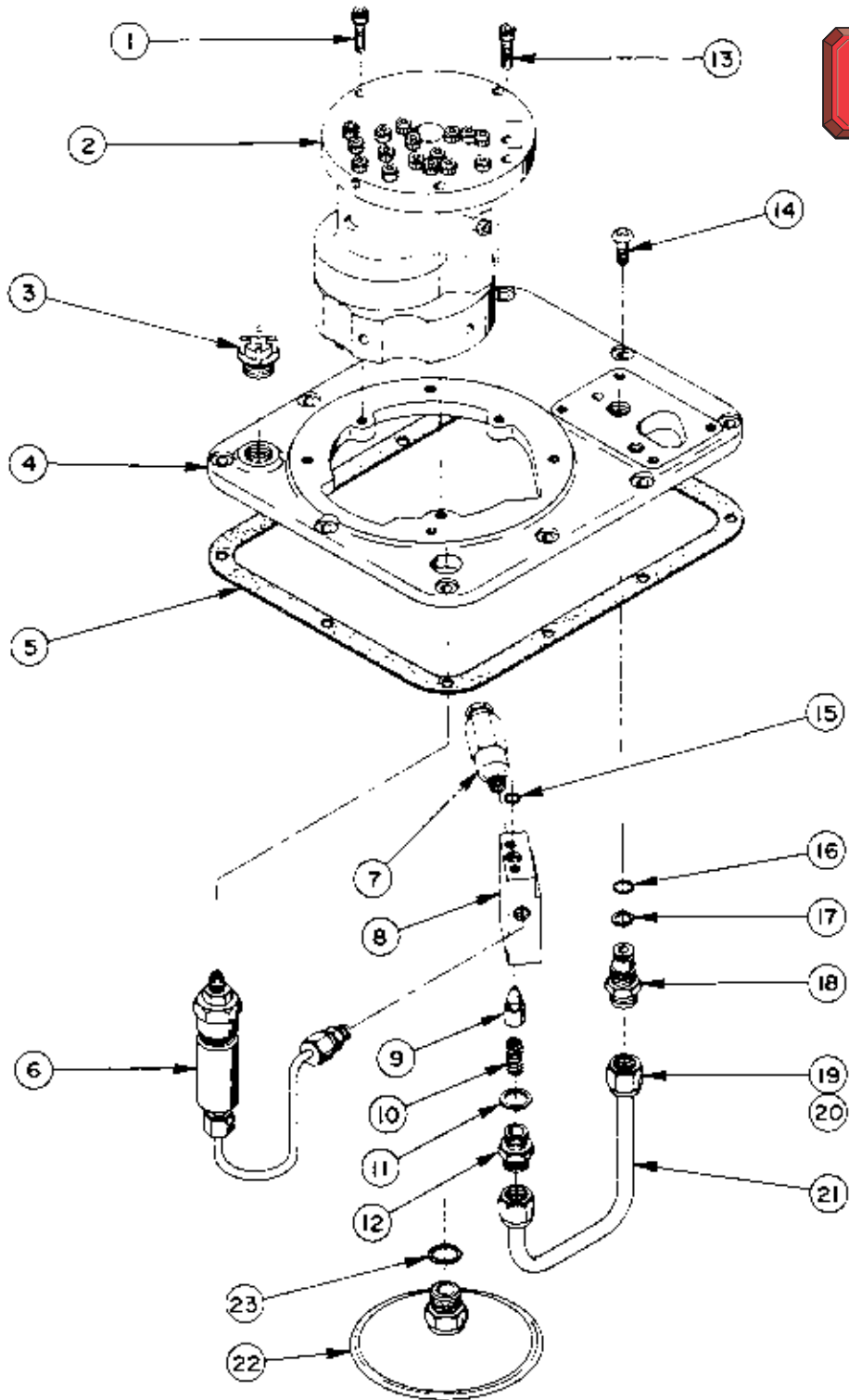


## BRUSH HOLDER & ARMATURE INSTALLATION SPECIFICATIONS



When replacing brushes or the armature, the dimensions shown must be as specified.

### GENERAL PUMP ASSEMBLY



To Parts List

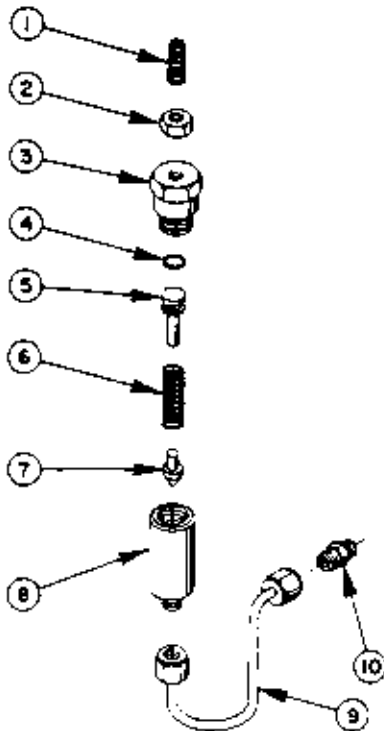
**AIR MOTOR ASSEMBLY**

Item No.	Part No.	No. Req'd	Description	Item No.	Part No.	No. Req'd	Description
1	10016	3	Soc. Hd. Cap Screw (1/4-20 UNC X 1" Lg.)	11	10261	1	Copper Washer (3/4 X 19/32 X 1/32)
2	*27207	1	Basic Pump Ass'y Replacement (See chart below)	12	20770	1	Connector (Torque to 40/45 ft. lbs.)
3	20937	1	Filler Plug	13	10015	2	Soc. Hd. Cap Screw (1/4-28 UNF X 1" Lg.; Torque to 180 in. lbs.)
4	40064WH2	1	Cover	14	10177	10	Mach. Screw
5	40164	1	Gasket	15	10266	1	O-ring (3/8 X 1/4 X 1/16)
6	22360	1	Pressure Regulator Ass'y (See below)	16	10268	1	O-ring (1/2 X 3/8 X 1/16)
7	21278	1	Relief Valve (Set at 10,100/10,700 PSI)	17	11863	1	PTFE Backup Washer
8	20776	1	Valve Body	18	20787	1	Valve Connector
9	20771	1	Poppet	19	10430	2	Tube Sleeve
10	10425	1	Compression Spring (3/8 O.D. X 3/4 Lg.)	20	10431	2	Tube Nut
				21	21045	1	Oil Line
				22	21344	1	Filter Ass'y (Includes Item 23)
				23	10300	1	O-ring (5/8 X 15/32 X 5/62)



\*Includes all items on back sheet 4 of 11 and items 1, 7, 8, 9, 10, 11, 12, 13, 15 & 22 on this sheet.

Series	Max. PSI	Basic Pump & Cover Plate Ass'y	Basic Pump Replacement	High Pressure Pump Ass'y Used	No. of Pistons
PE552-E220 PE552-UK110 PE552-UK220 PE552A-E220 PE552A-UK110 PE552A-UK220 PE552S-E220 PE552S-UK110 PE552S-UK220 PE554-E220 PE554-UK110 PE554-UK220 PE554S-E220 PE554S-UK110 PE554S-UK220 PE554TW-E220	10,000	50403	*27207	33113	3

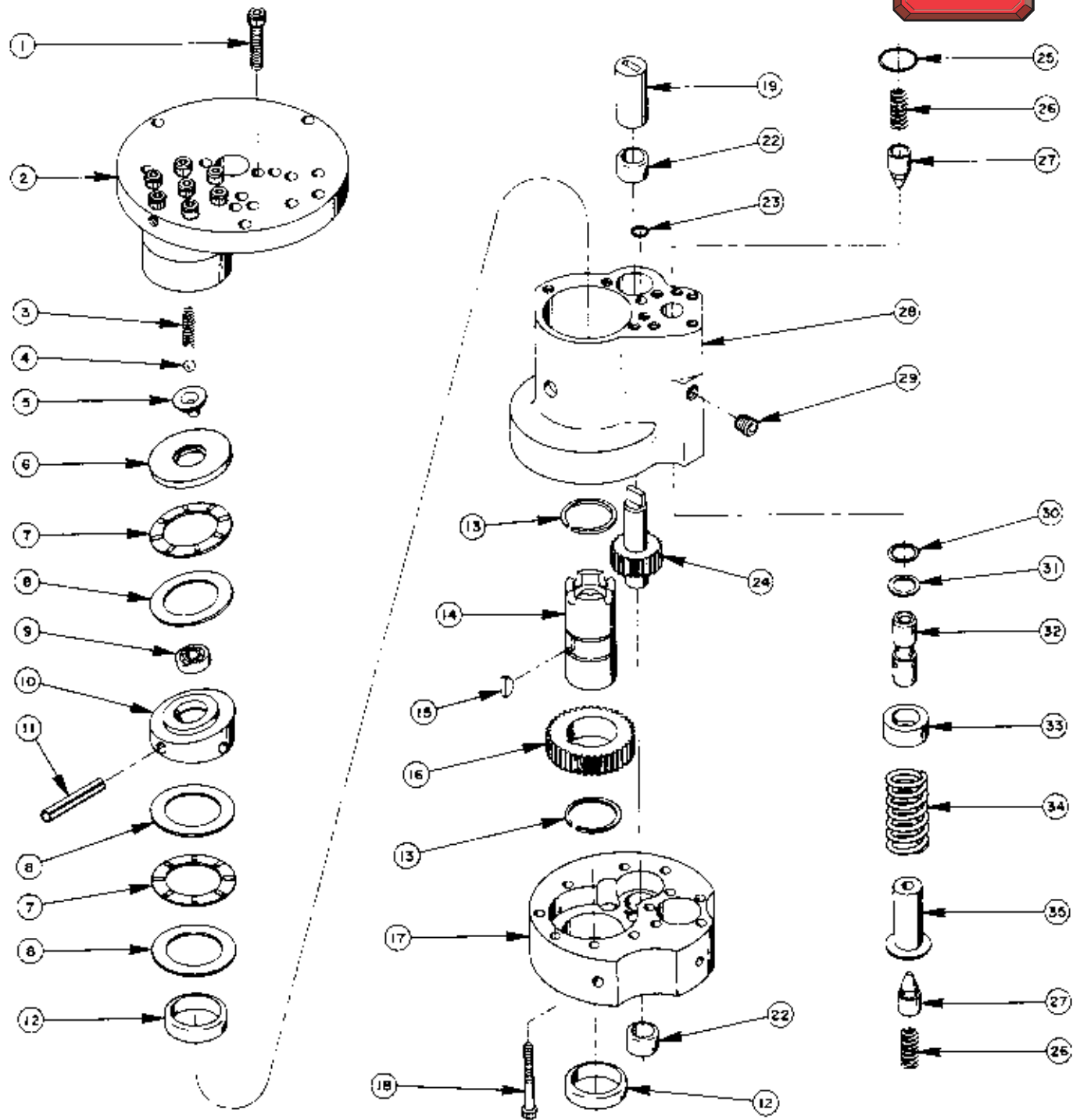


**PRESSURE REGULATOR ASSEMBLY**

Item No.	Part No.	No. Req'd	Description
1	22362	1	Adjusting Screw
2	10386	1	Hex Jam Nut
3	21305	1	Valve Cap
4	10268	1	O-ring (1/2 X 3/8 X 1/16)
5	21306	1	Spring Guide
6	10495	1	Compression Spring (1/2 O.D. X 1-5/8 Lg.)
7	21046	1	Valve Stem
8	22361	1	Body
9	29267	1	Oil Line Ass'y (With nuts)
10	14844	1	Connector Fitting

# BASIC PUMP ASSEMBLY

To Parts List



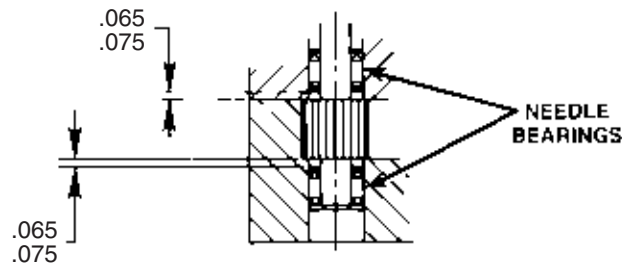


Item No.	Part No.	No. Req'd	Description
1	10020	9	Soc. Hd. Cap Screw (1/4-20 UNC X 1-1/4 Lg.; Torque to 170-180 in. lbs.)
2	33113	1	High Pressure Pump Ass'y (See back sheet 5 of 7 & chart on sheet 4 of 7)
3	10361	1	Compression Spring (1/4 O.D. X 1" Lg.)
4	10375	1	Steel Ball (1/4" dia.)
5	23547	1	Bearing Top Plate
6	23548	1	Top Plate
7	11228	2	Thrust Bearing
8	11813	3	Bearing Race
9	11814	1	Ball Bearing
10	23549	1	Angle Plate
11	11955	1	Roll Pin (1/4" dia. X 1-3/4 Lg.)
12	11064	2	Needle Bearing
13	11261	2	Retaining Ring
14	23556	1	Shaft
15	11821	1	Woodruff Key
16	23574	1	Gear
17	40072	1	Pump End Plate
18	10001	13	Soc. Hd. Cap Screw (#10-32 UNF X 1-3/4" Lg.; Torque to 50 in. lbs.)
19	21091	1	Zinc Coupling
20	21092	1	Adapter
21	21093	1	Key
22	11198	2	Needle Thrust Bearing (See Note below)
23	10266	1	O-ring (3/8 X 1/4 X 1/16)
24	20774	1	Drive Gear
25	10303	1	O-ring (7/8 X 3/4 X 1/16)
26	10425	2	Compression Spring (3/8 O.D. X 3/4 Lg.)
27	20771	2	Poppet
28	40071	1	Pump Body
29	10427	1	Pipe Plug (1/8" NPTF)
30	10271	1	O-ring (11/16 X 1/2 X 3/32)
31	12389	1	PTFE Backup Washer (11/16 X 1/2 X 1/16)
32	20849	1	Spool
33	23255	1	Spring Guide
34	10426	1	Compression Spring (1" O.D. X 1-13/16 Lg.)
35	23256	1	Spring Guide



To  
Drawing

## NEEDLE BEARING INSTALLATION SPECIFICATIONS



When replacing the needle bearings on the drive gear of the basic pumps, the dimensions shown must be as specified.

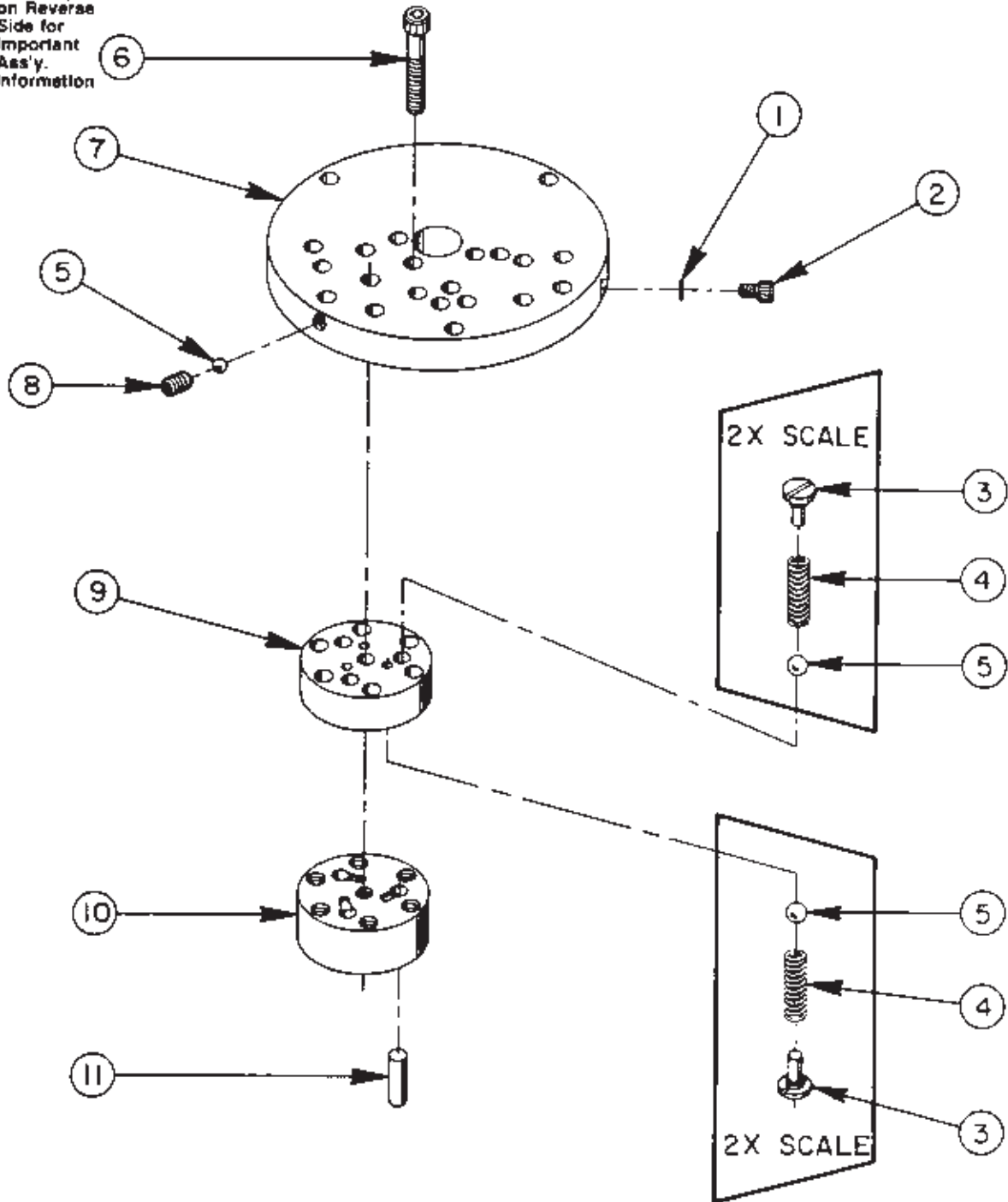
Sheet No. 5 of 7

Rev. 1 Date: 25 May 2012

# HIGH PRESSURE PUMP ASSEMBLY

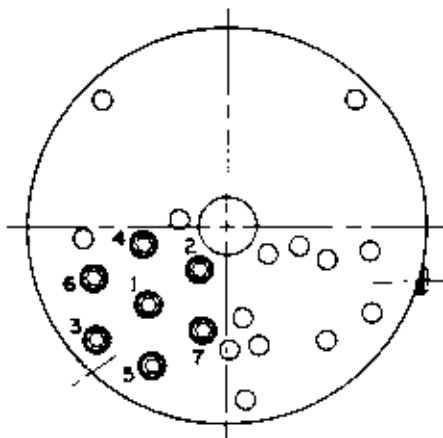


See Diagram  
on Reverse  
Side for  
Important  
Ass'y.  
Information



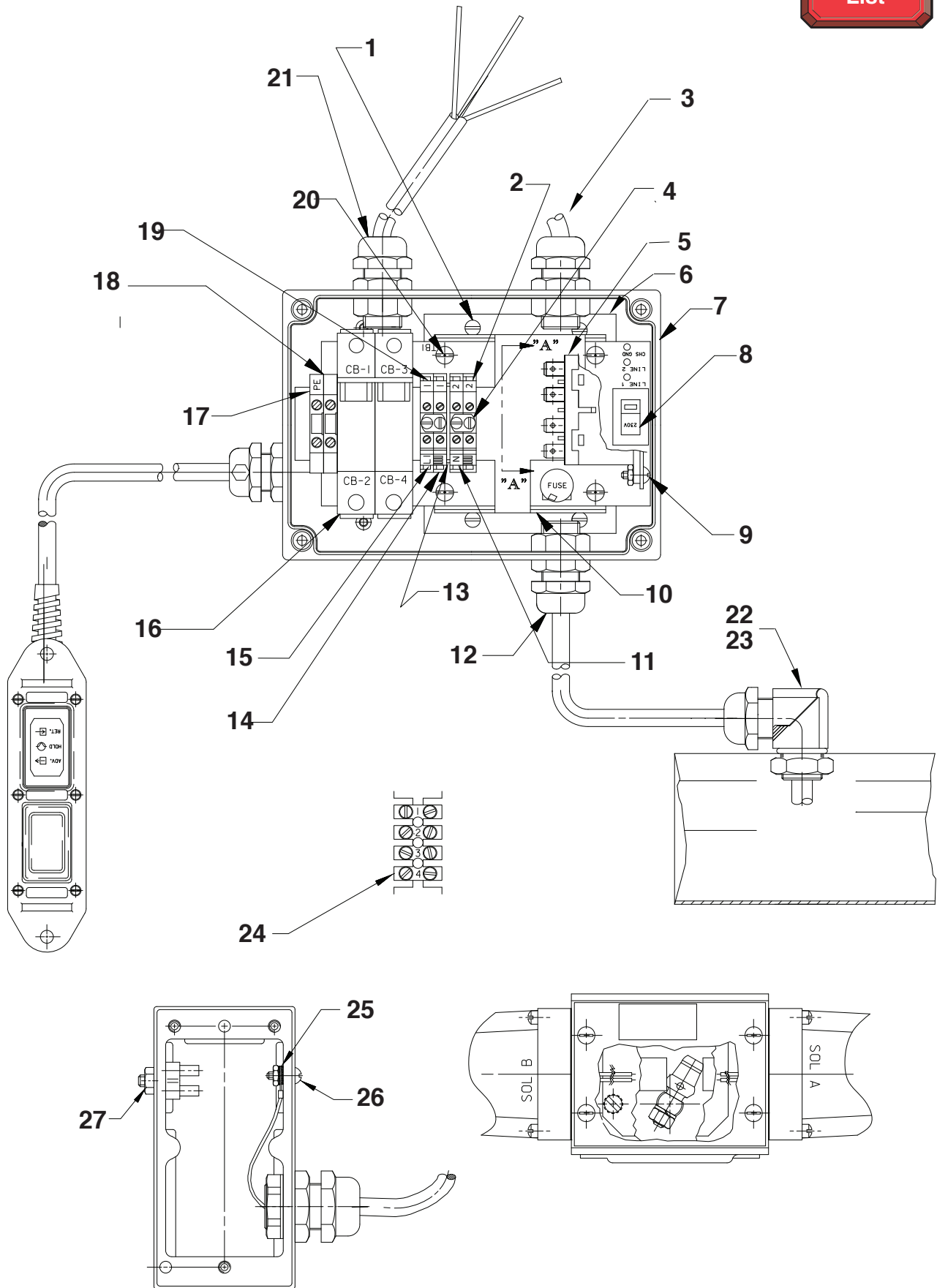
**33113 PUMP ASS'Y****3 Pistons -- 9/32 Dia.**

Item No.	Part No.	No. Req'd	Description
1	10442	1	Copper Washer (3/8 X 1/4 X 1/32)
2	10002	1	Soc. Hd. Cap Screw (1/4-20 UNC X 3/8" Lg.; Torque to 140/160 in. lbs.)
3	24549	6	Valve Guide
4	10445	6	Compression Spring (5/32" O.D. X 3/4" Lg.)
5	12223	7	Steel Ball
6	10023	7	Soc. Hd. Cap Screw (1/4-20 UNF X 1-1/2" Lg.; Torque to 170/180 in. lbs.; See note below)
7	50411	1	Top Plate
8	10519	1	Soc. Set Screw (1/4-20 UNC X 3/8 Lg.; Torque to 65/70 in. lbs.)
9	40630	1	Valve Head
10	41062	1	Pump Barrel
11	21628	3	Piston

**BOLT TIGHTENING SEQUENCE**

**NOTE: Assemble in sequence shown. Lubricate under head and on threads. Torque to 180 in. lbs.**

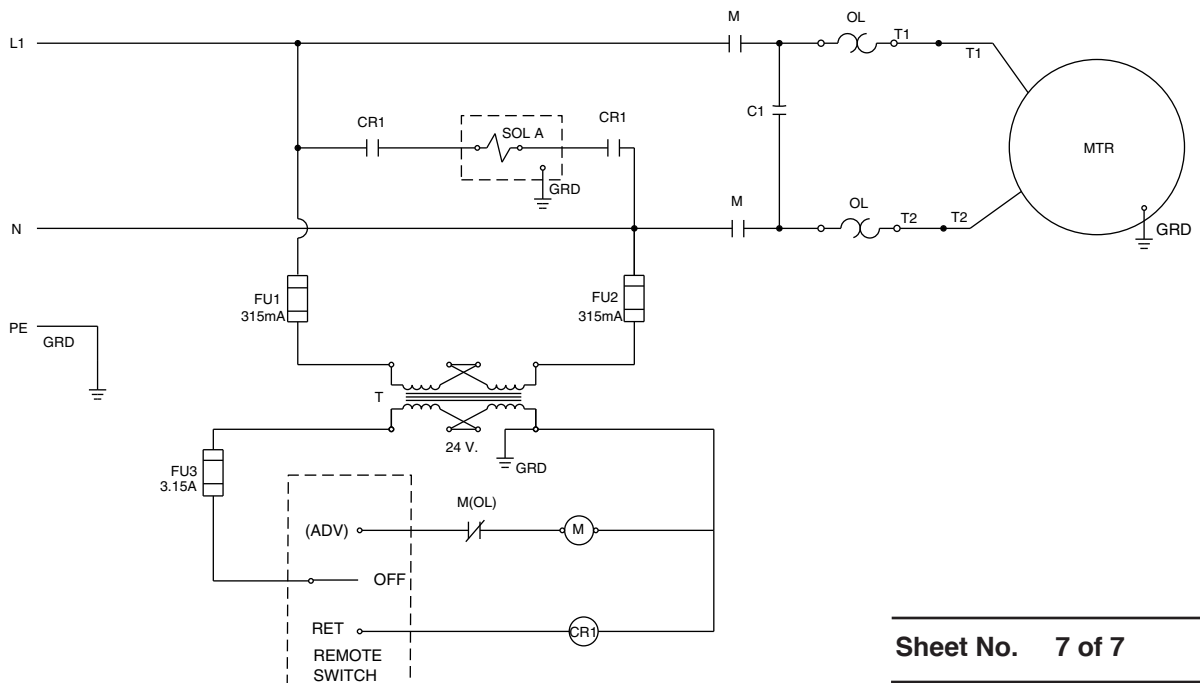
## MOTOR CONTROL ASSEMBLY FOR PE552S-E220 & PE552S-UK220



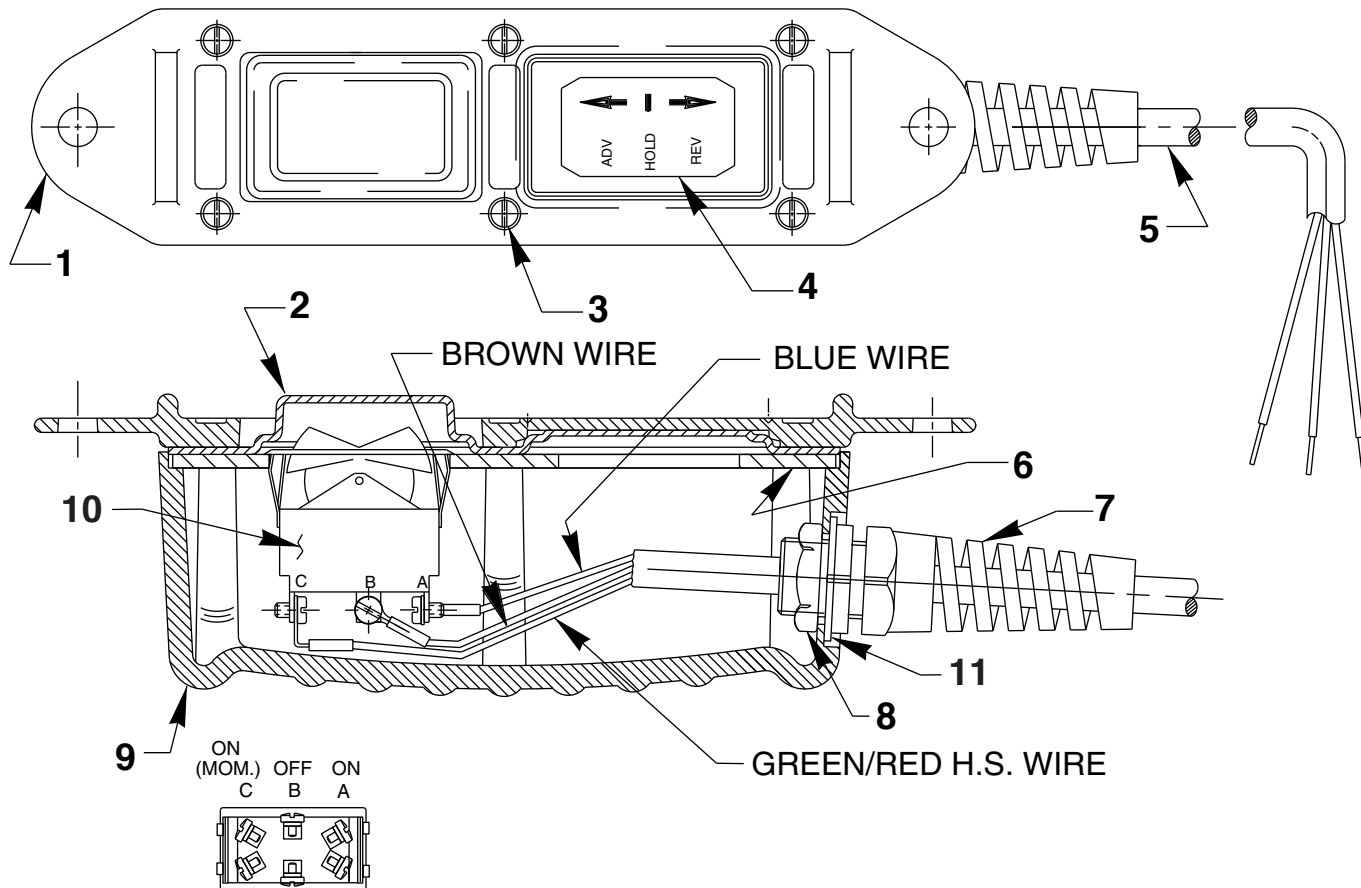
Item No.	Part No.	No. Req'd	Description	Item No.	Part No.	No. Req'd	Description
1	252253	4	Screw (8-32 X 3/8 Lg.)	15	2000159	1	Card, Marker
2	2000163	2	Card, Marker	16	360002-15	1	Circuit, Breaker
3				17	2000161	1	Card, Marker
4	251845	2	Jumper	18	251841	2	Block, Ground
5	421663	1	Relay 240V	19	2000162	2	Card, Marker
6	351588	1	Plate, Mount	20	260071	4	Screw (8-32 X 3/4 Lg.)
7	59036	1	Box, Control	21	252837	1	Strain Release
8	421898	1	Board, Circuit	22	216667	1	Strain Release
9	10447	2	Screw (8-32 X 5/16 Lg.)	23	216680	1	Nut
10	421608WH2	1	Bracket	24	351130	1	Block, Terminal
11	2000160	1	Card, Marker	25	10443	1	Terminal Ring
12	216666	1	Strain Release	26	12354	1	Screw 10-24
13	251842	1	Barrier, End	27	351130	1	Block, Terminal
14	251840	4	Block, Terminal				



**ELECTRICAL SCHEMATIC**  
 220 V., 50 Hz., Single Phase  
 FOR PE552S-E220 & PE552S-UK220



## REMOTE CONTROL HAND SWITCH ASSEMBLY NO. 252508



Item No.	Part No.	No. Req'd	Description
1	420050-1	1	Plastic Cover
2	420050-2	1	Gasket
3	250248	6	Screw (4-24 X 3/4 Lg.)
4	202776	1	Decal
5	251879	10 ft.	Electrical Cable (1.5 MM/3 HAR)
6	420050-3	1	Switch Mounting Plate
7	251818	1	Strain Relief Bushing
8	251802	1	Locknut (Torque to 30/35 in. lbs.)
9	420050-4	1	Switch Housing
10	16773	1	Rocker Switch
11	253607	1	Rubber Gasket