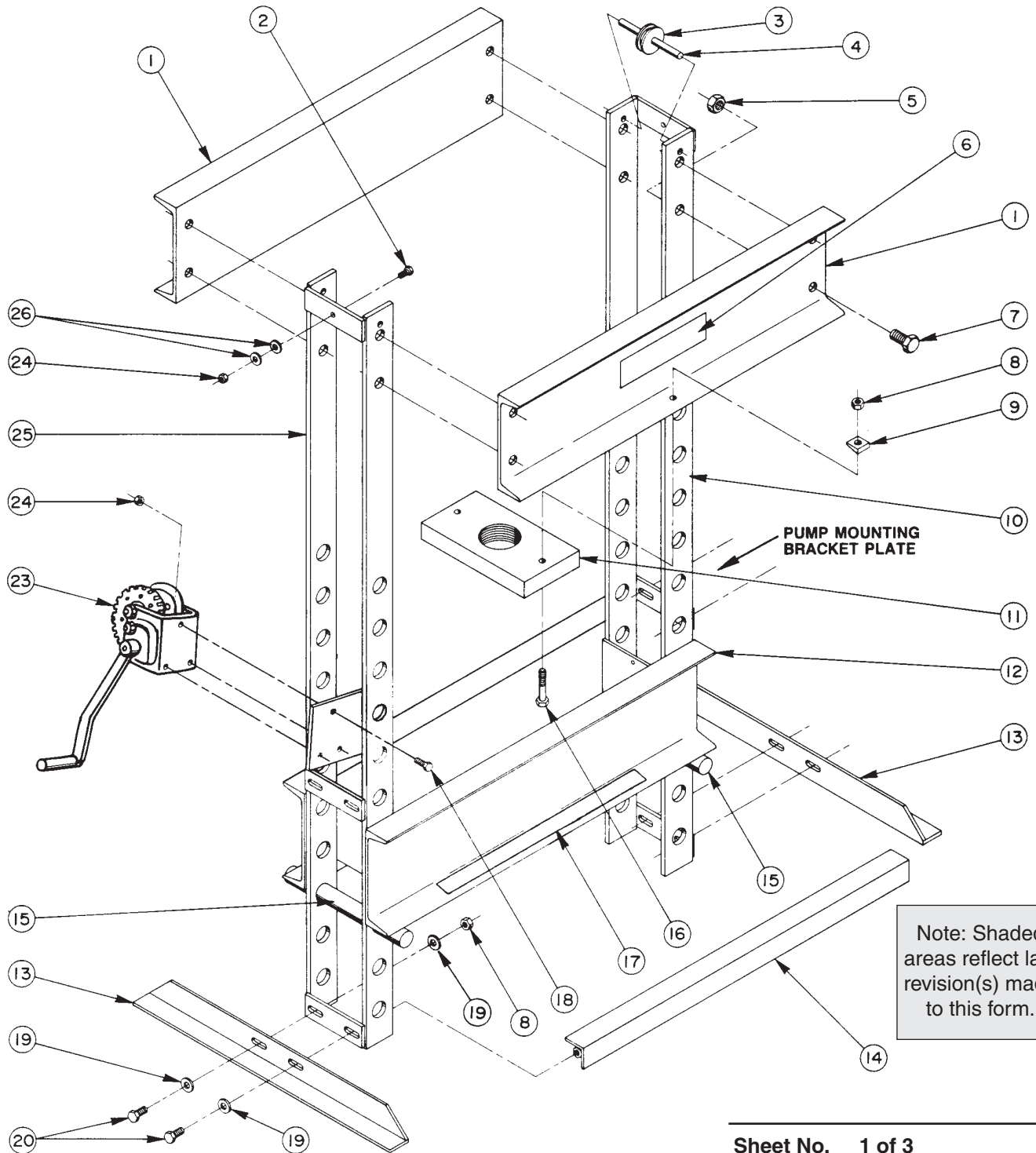


Parts List for:

1833	SPE256
1834	SPE256-220
1836	SPE256CE
014-00084	SPA256
014-00085	SPA256CE
	SPM256
	SPM256CE

**SHOP PRESS**  
**MAX. CAPACITY: 25 TONS**



Note: Shaded areas reflect last revision(s) made to this form.

NOTE: For press frame only, see back sheet 2 of 3.

Sheet No. 1 of 3

Rev. 1 Date: 14 Feb. 2001

# Parts List, Form No. 100551, Back sheet 1 of 3

Item No.	Part No.	No. Req'd	Description
1	34809-BL2	2	Upper Bolster (For 1833, 1834, 014-00084, & 014-00085)
	34809OR9	2	Upper Bolster (For SPA256, SPE256, SPE256-220, SPE256CE, SPM256, SPA256CE, & SPM256CE)
2	10046	1	Cap Screw (3/8-16 UNC x 3/4 lg.)
3	29695	3	Pulley
4	29696	2	Pulley Axle
5	10216	8	Nut (3/4-10 UNC)
6	14601	1	Trade Name Decal (For 1833 & 1834)
	36584	1	Trade Name Decal (For SPA256, SPE256, SPE256-220, SPE256CE, SPM256, SPA256CE, & SPM256CE)
	12768	1	Trade Name Decal (For 014-00084 & 014-00085)
7	10118	8	Cap Screw (3/4-10 UNC x 1-1/2 lg.)
8	10208	4	Nut (1/2-13 UNC)
9	10610	2	Bevel Washer (1/2" bolt)
10	52149WH2	1	R.H. Upright
11	41629	1	Ram Mounting Plate
12	50760-BL2	1	Lower Bolster (For 1833, 1834, 014-00084, & 014-00085)
	50760OR9	1	Lower Bolster (For SPA256, SPE256, SPE256-220, SPE256CE, SPM256, SPA256CE, & SPM256CE)

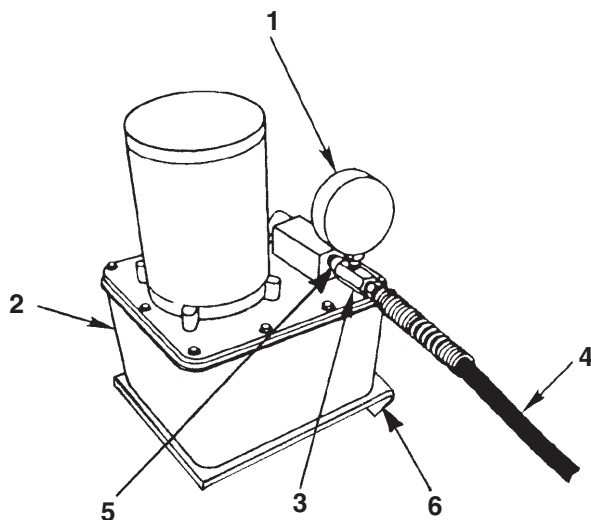
Item No.	Part No.	No. Req'd	Description
13	304485	2	Foot Angle
14	35573	1	Spacer Angle
15	34555	2	Bolster Pin
16	10090	2	Cap Screw (1/2-13 UNC x 2-3/4 lg.)
17	46896	1	Warning Decal
18	10049	3	Cap Screw (3/8-16 UNC x 1" lg.)
19	12004	6	Washer (1/2" bolt)
20	10080	4	Cap Screw (1/2-13 UNC x 1-1/4 lg.)
23	18895-1	1	Winch
24	10204	4	Nut (3/8-16 UNC)
25	52150	1	L.H. Upright
26	10231	2	Washer (3/8" bolt)

### PARTS INCLUDED BUT NOT SHOWN

10469	1	Union Adapter (For 1833, 014-00085, SPE256, SPE256-220, SPE256CE, SPM256, SPA256CE, & SPM256CE)
205331	1	Part Number Decal (For 014-00084)
205333	1	Part Number Decal (For 014-00085)
51426	1	Cylinder Assembly (See Form No. 101490)

## ELECTRIC PUMP

(used on SPE256, SPE256-220, & SPE256CE)



Item No.	Part No.	No. Req'd	Description
1	9063	1	Gauge
2	PE172	1	Electric Pump (For SPE256; See NOTE; See Form No. 100577)
	PE172-50-220	1	Electric Pump (For SPE256-220; See NOTE; See Form No. 100585)
	PE82-E220	1	Electric Pump (For SPE256CE; See NOTE; See Form No. 108120)
3	9670	1	Tee Adapter
4	350158	1	Hydraulic Hose
5	10469	1	Straight Fitting
6	421125	1	Pump Mounting Bracket

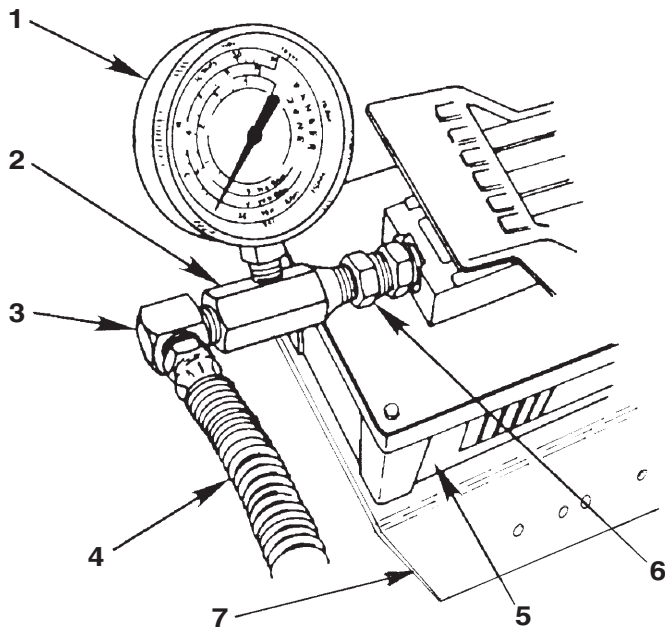
### PARTS INCLUDED BUT NOT SHOWN

350989	1	CE Decal (For SPE256CE)
--------	---	-------------------------

**NOTE:** Pump mounting hardware for PE172, PE172-50-220 & SPE256CE is included with the pump.

### AIR PUMP

(used on 1834, 014-00084, SPA256, & SPA256CE)



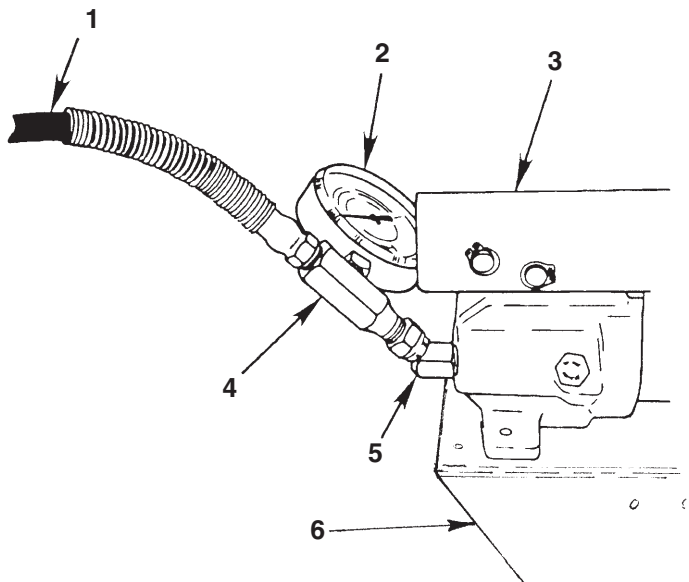
Item No.	Part No.	No. Req'd	Description
1	9063	1	Gauge (For 1834, SPA256, & SPA256CE)
	9041	1	Gauge (For 014-00084)
2	9670	1	Tee Adapter
3	10474	1	90° Elbow
4	36887	1	Hydraulic Hose (8'; For 1834 & 014-00084)
	36888	1	Hydraulic Hose (10'; For SPA256)
	9769E	1	Hydraulic Hose (For SPA256CE)
5	4020	1	Air Pump (For 1834; See Form No. 101695)
	203398	1	Air Pump (For 014-00084; See Form No. 101695)
	PA6	1	Air Pump (For SPA256 & SPA256CE; See Form No. 101695)
6	10469	2	Straight Fitting
7	421125	1	Pump Mounting Bracket

**PARTS INCLUDED BUT NOT SHOWN**

350989	1	CE Decal (For SPA256CE)
--------	---	-------------------------

### HAND PUMP

(used on 1833, 014-00085, SPM256, & SPM256CE)



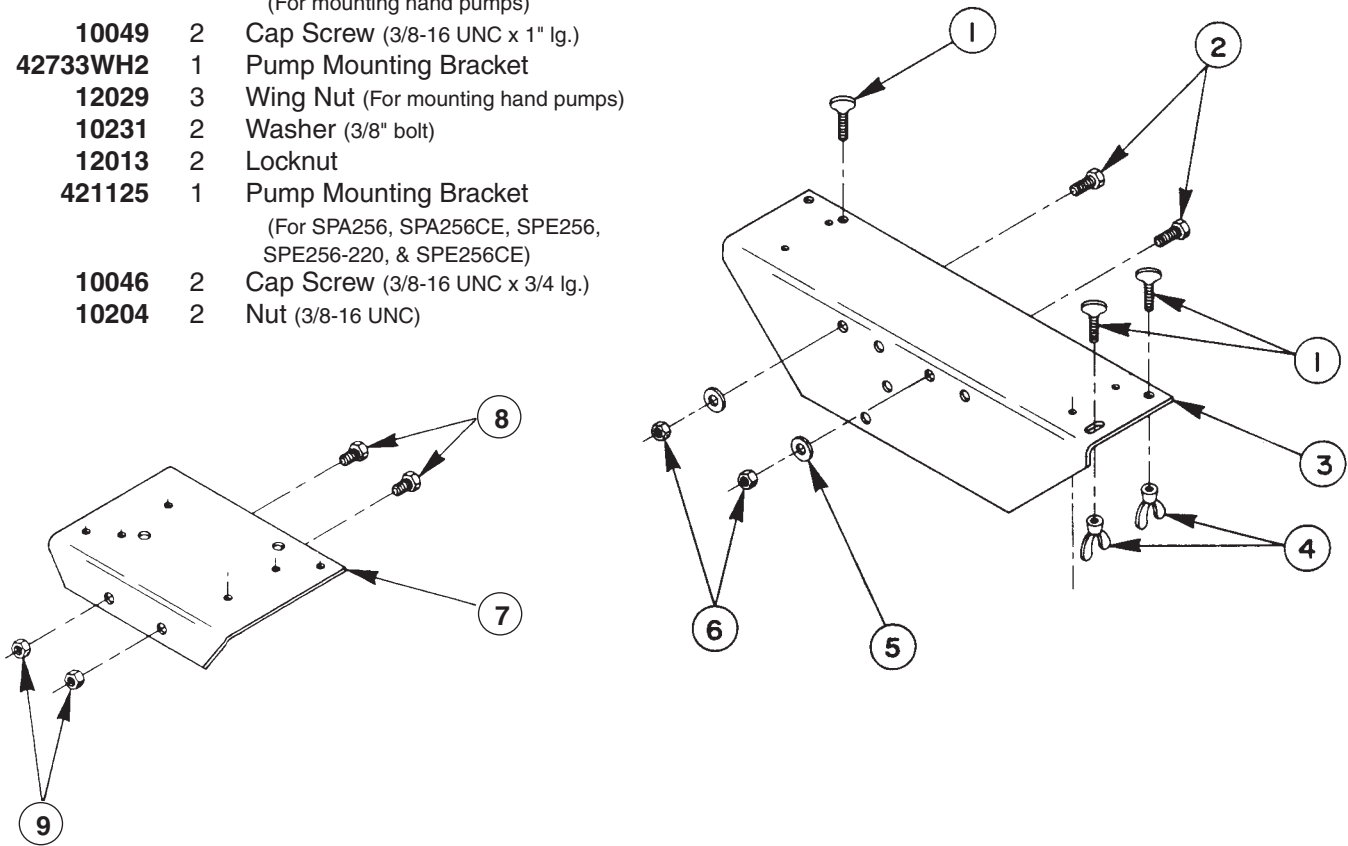
Item No.	Part No.	No. Req'd	Description
1	36886	1	Hydraulic Hose (For 1833 & 014-00085)
	350157	1	Hydraulic Hose (For SPM256 & SPM256CE)
2	9063	1	Gauge (For 1833 & SPM256)
	9041	1	Gauge (For 014-00085)
3	4002	1	Hand Pump (For 1833; See Form No. 101741)
	61522	1	Hand Pump (For 014-00085; See Form No. 101741)
	P59	1	Hand Pump (For SPM256 & SPM256CE; See Form No. 101744)
4	9670	1	Tee Adapter
5	10468	1	45° Fitting
6	42733WH2	1	Pump Mounting Bracket

**PARTS INCLUDED BUT NOT SHOWN**

350989	1	CE Decal (For SPM256CE)
--------	---	-------------------------

## PUMP MOUNTING BRACKETS

Item No.	Part No.	No. Req'd	Description
1	12680	3	Thumb Screw (For mounting hand pumps)
2	10049	2	Cap Screw (3/8-16 UNC x 1" lg.)
3	42733WH2	1	Pump Mounting Bracket
4	12029	3	Wing Nut (For mounting hand pumps)
5	10231	2	Washer (3/8" bolt)
6	12013	2	Locknut
7	421125	1	Pump Mounting Bracket (For SPA256, SPA256CE, SPE256, SPE256-220, & SPE256CE)
8	10046	2	Cap Screw (3/8-16 UNC x 3/4 lg.)
9	10204	2	Nut (3/8-16 UNC)



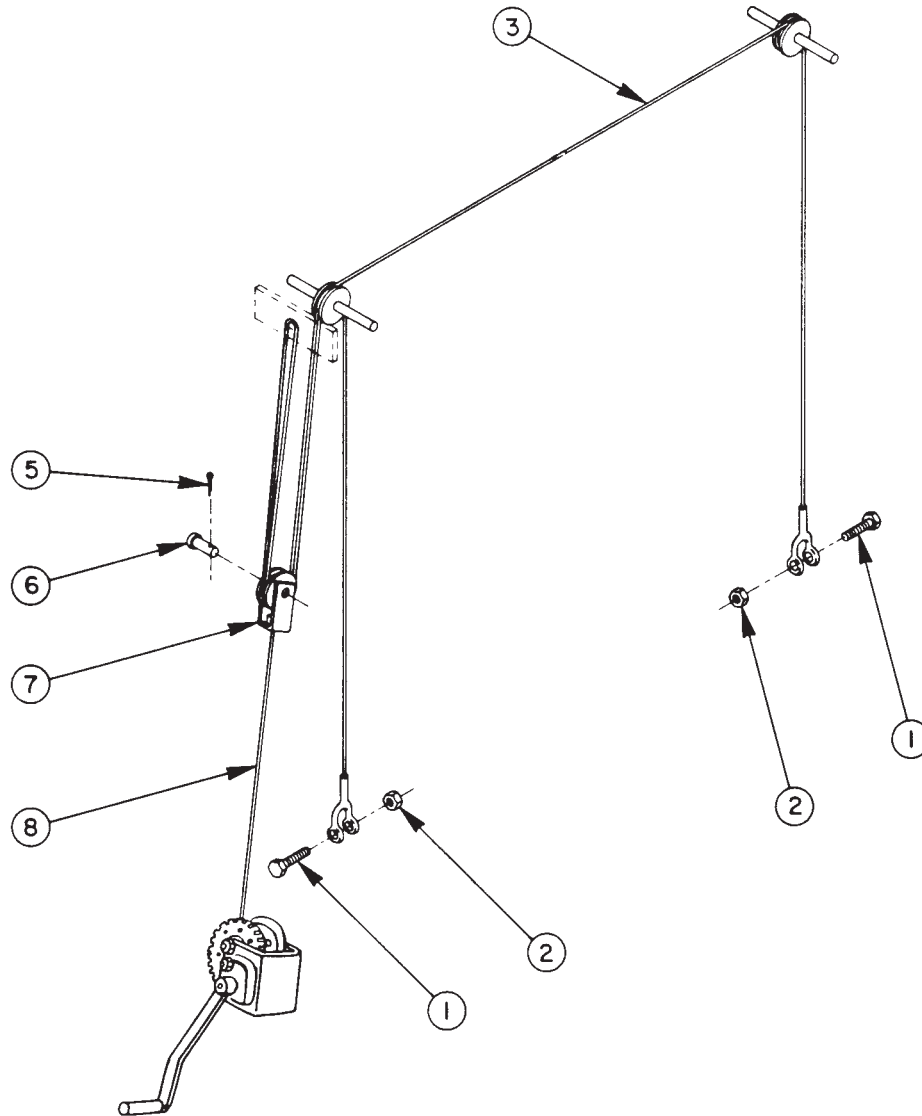
Press Frame Only	Used On
60178	1833, 1834
203400	014-00084, 014-00085
212220	SPA256, SPE256, SPE256-220, SPE256CE, SPM256, SPM256CE, SPA256CE

Refer to any operating instructions included with this product for detailed information about operation, testing, disassembly, reassembly, and preventive maintenance.

Items found in this parts list have been carefully tested and selected. **Therefore: Use only genuine replacement parts!**

Additional questions can be directed to our Technical Services Department.

### CABLE ASSEMBLY



Item No.	Part No.	No. Req'd	Description
1	10019	2	Cap Screw (1/4-20 UNC x 1-1/4 lg.)
2	12809	2	Locknut (1/4-20 UNC)
3	200988	1	Press Cable
5	10524	1	Cotter Pin
6	16385	1	Clevis Pin
7	35730	1	Pulley Bracket
8	204730	1	Winch Cable