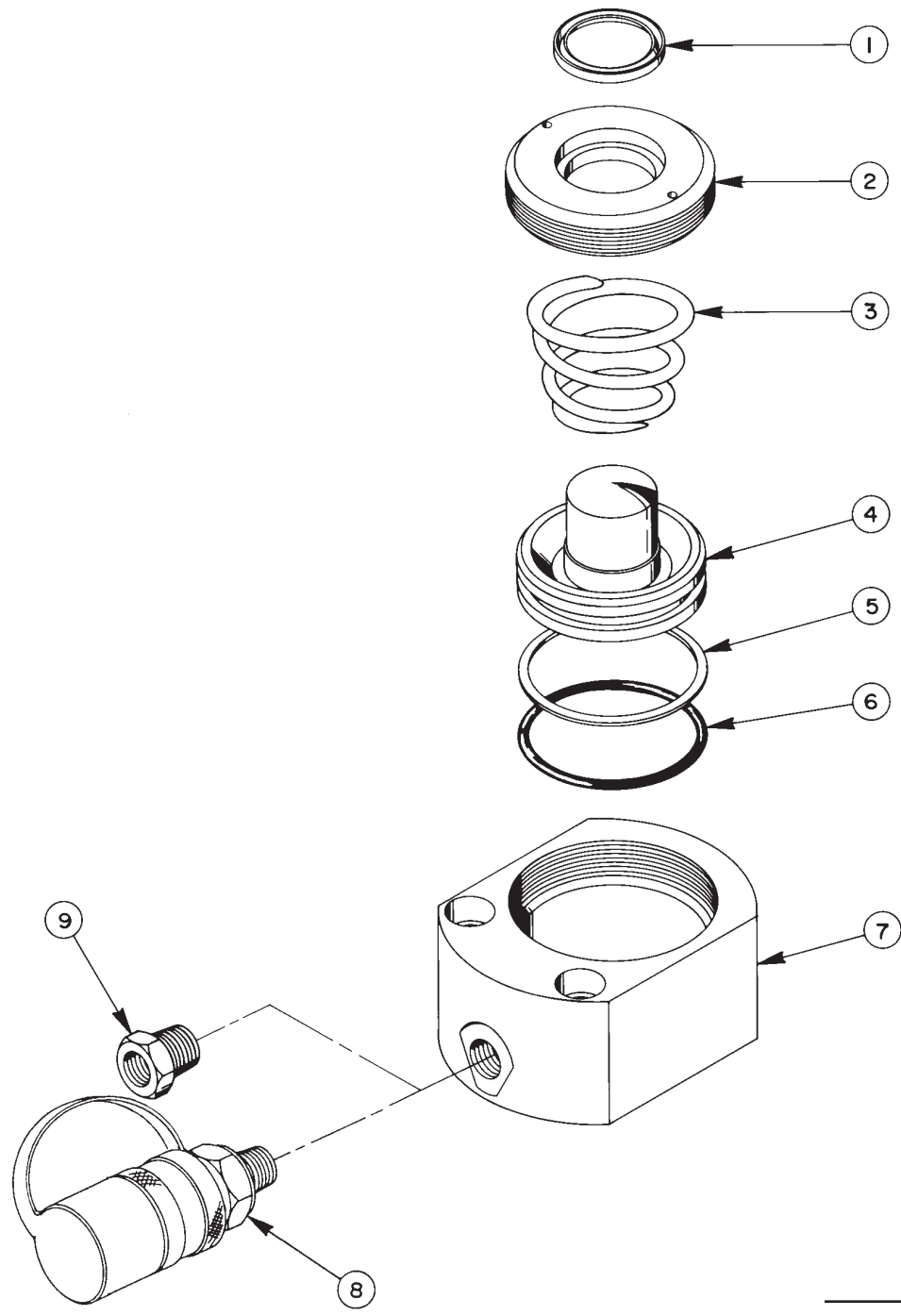


Parts List for:

5RLS200S
100202
RLS200
RLS200-PFAFF

**SINGLE-ACTING, SPRING RETURN
HYDRAULIC CYLINDER**
Max. Capacity: 11.1 Tons at 5,000 PSI
22.2 Tons at 10,000 PSI



Parts List, Form No. 100635, Back sheet 1 of 1

Item No.	Part No.	No. Req'd	Description
1	*15089	1	Rod Wiper
2	46207	1	Retainer (Torque to 500/525 in. lbs.)
3	212049	1	Compression Spring
4	46209	1	Piston
5	*19147	1	Backup Washer (2-3/8 x 2-1/8 x .048 thk)
6	*10840	1	O-ring (2-3/8 x 2-1/8 x 1/8)
7	46210	1	Cylinder Body
8	9796	1	Cylinder Half Coupler w/Dust Cap (For RLS200 & RLS200-PFAFF)
	210916	1	Coupler (For 5RLS200S)
9	10676	1	Straight Fitting (For 100202)

PARTS INCLUDED BUT NOT SHOWN

16473	1	Patent Decal
*203908	1	Warning Decal
351912	1	Trade Name Decal (For RLS200)
212356	1	Trade Name Decal (For 5RLS200S)
14997	1	Trade Name Decal (For 100202)
252078	1	Trade Name Decal (For RLS200-PFAFF)
203908-CE	1	Warning Decal (For RLS200-PFAFF)
252183	1	Decal (For RLS200-PFAFF)

Part numbers marked with an asterisk (*) are contained in Repair Kit No. 300456.

Refer to any operating instructions included with this product for detailed information about operation, testing, disassembly, reassembly, and preventive maintenance.

Items found in this parts list have been carefully tested and selected. **Therefore: Use only genuine Power Team replacement parts!**

Additional questions can be directed to our Technical Services Department.

Note: Shaded areas reflect last revision(s) made to this form.