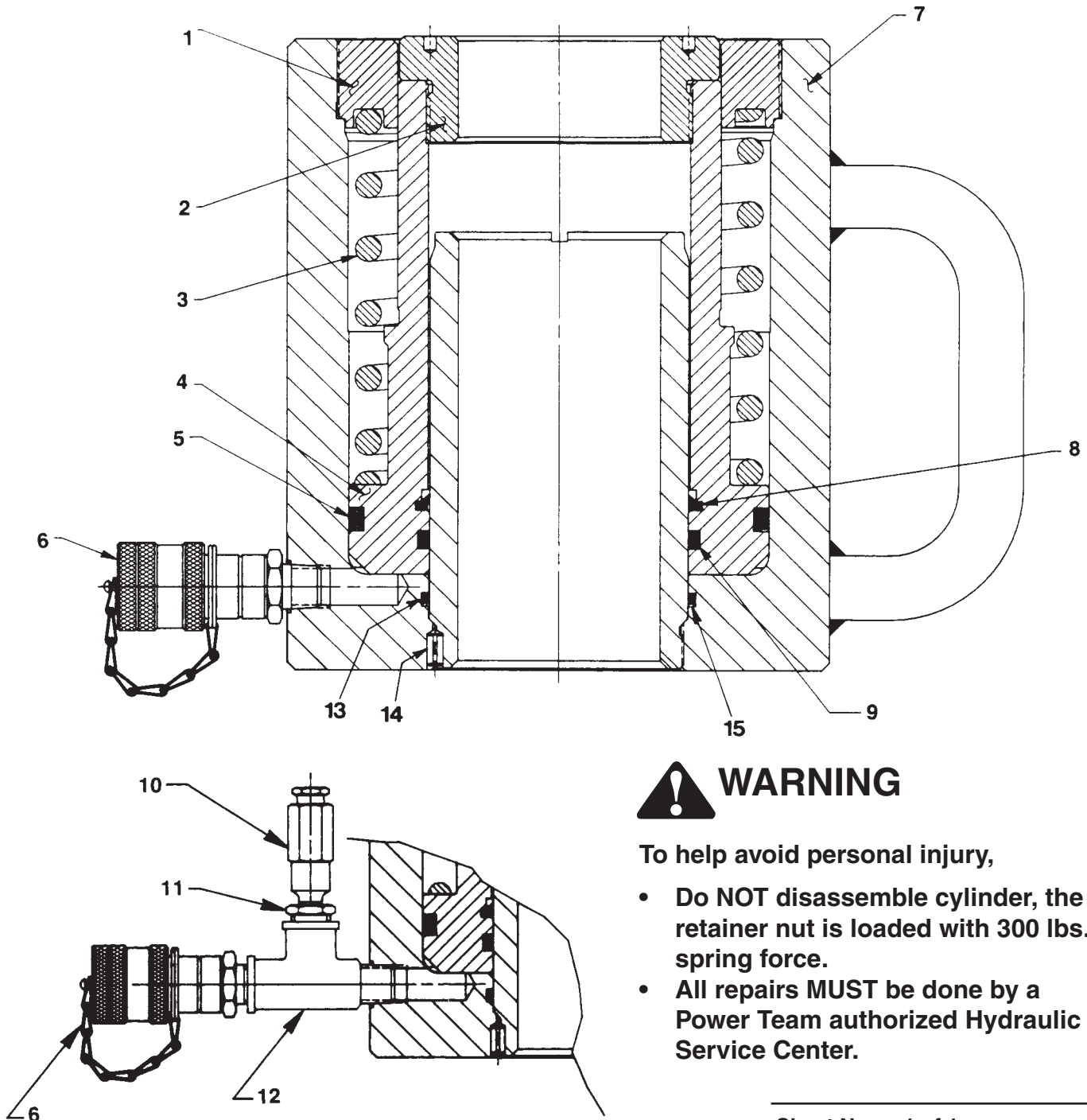


SINGLE-ACTING, SPRING RETURN HYDRAULIC CYLINDER

Max. Capacity: 103.1 Ton at 10,000 PSI



WARNING

To help avoid personal injury,

- Do NOT disassemble cylinder, the retainer nut is loaded with 300 lbs. spring force.
- All repairs MUST be done by a Power Team authorized Hydraulic Service Center.

FOR PART NO. RH1003-FERMI ONLY

Sheet No. 1 of 1

Rev. Date: 20 Mar. 1991

Parts List, Form No. 100697, Back sheet 1 of 1

Item No.	Part No.	No. Req'd	Description
1	47055	1	Spring Retainer Nut (NOTE: Loaded with 300 lbs. spring force.)
2	308240	1	Plain Insert
3	214499	1	Spring
4	53068	1	Piston
5	*214495	1	"T" Seal with Backup Rings (Smooth side of Backup Ring must be against Seal.)
	†250221	1	"T" Seal with Backup Rings (Smooth side of Backup Ring must be against Seal.)
6	25600	1	Coupler
7	47058	1	Cylinder Standpipe Assembly
8	*214497	1	Rod Wiper
	†250222	1	Rod Wiper
9	*214496	1	"T" Seal with Backup Rings (Smooth side of Backup Ring must be against Seal.)
	†250220	1	"T" Seal with Backup Rings (Smooth side of Backup Ring must be against Seal.)
10	21278-114	1	Relief Valve (Set at 11,500/12,100 PSI; for RH1003-FERMI only)
11	12203	1	Straight Fitting (For RH1003-FERMI only)
12	10623	1	Tee Fitting (For RH1003-FERMI only)
13	†19051	1	O-ring (Viton)
14	†15566	1	Roll Pin
15	†19331	1	Backup Washer

PARTS INCLUDED BUT NOT SHOWN

*37782	1	Warning Decal
308249	1	Trade Name Decal
†205724	1	Decal (Viton)

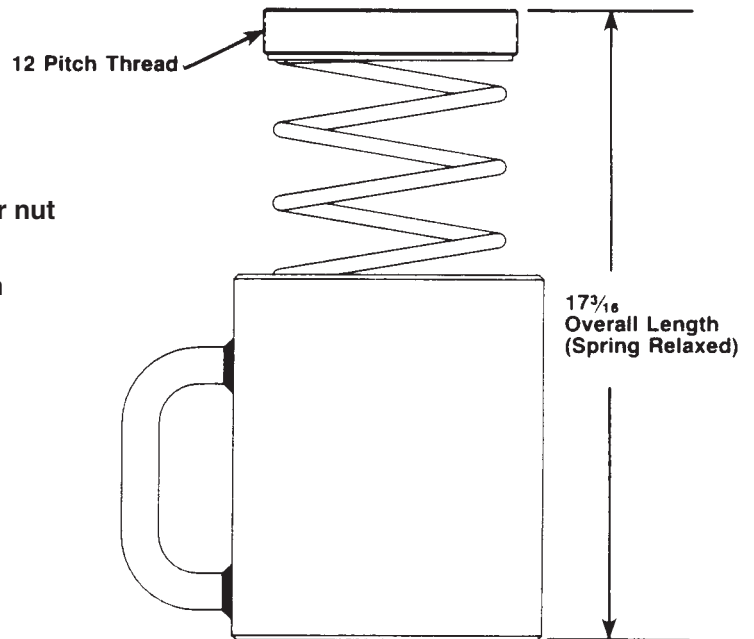
Part numbers marked with an asterisk (*) are contained in Standard Repair Kit No. 300485.

Part numbers marked with a dagger (†) are contained in Viton Seal Kit No. 300585.



WARNING: To help avoid personal injury,

- Do NOT disassemble cylinder, the retainer nut is loaded with 300 lbs. spring force.
- All repair MUST be done by a Power Team authorized Hydraulic Service Center.



Refer to any operating instructions included with this product for detailed information about operation, testing, disassembly, reassembly, and preventive maintenance.

Items found in this parts list have been carefully tested and selected. **Therefore: Use only genuine replacement parts!**

Additional questions can be directed to our Technical Services Department.