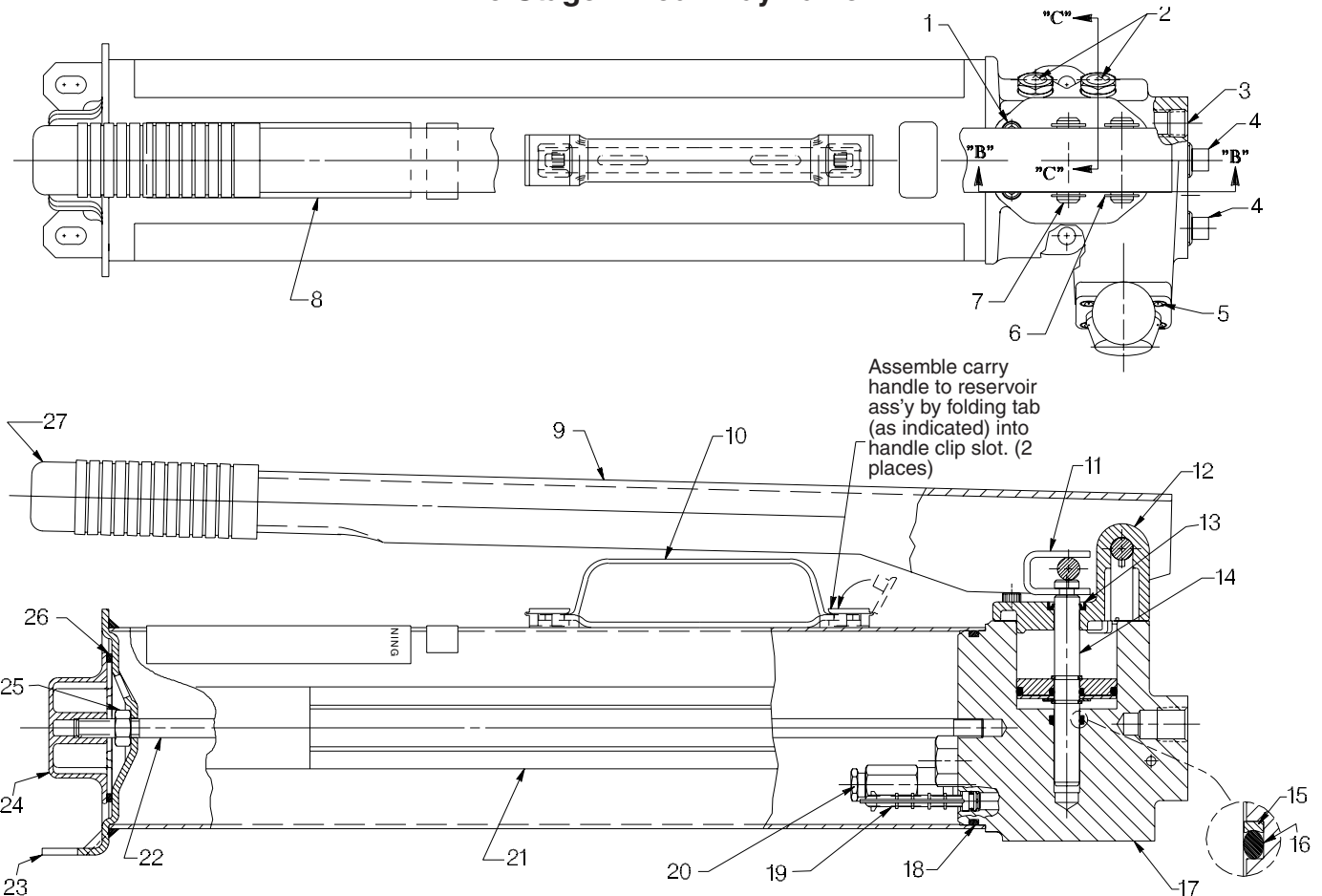


Parts List for:

4017  
P157D  
P157D Series  
P159D  
P159D Series

# HYDRAULIC HAND PUMP

## Two-Stage -- Four-Way Valve

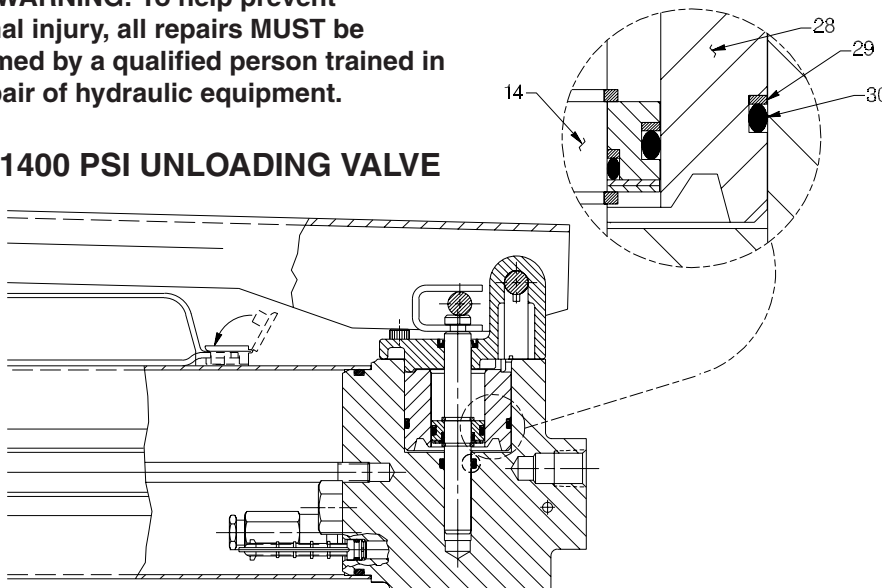


### 300 PSI UNLOADING VALVE



**WARNING:** To help prevent personal injury, all repairs **MUST** be performed by a qualified person trained in the repair of hydraulic equipment.

### 1400 PSI UNLOADING VALVE



# Parts List, Form No. 100711, Back sheet 1 of 2

Item No.	Part No.	No. Req'd	Description
1	10008	4	Cap Screw (1/4-20 UNC X 3/4" Lg.)
2	•†*215907	2	Decal ("DO NOT REMOVE")
3	14972	1	Plug
4	11127	2	Plug (3/8 NPTF)
5	11434	4	Cap Screw (#10-24 UNC X 1/2" Lg.)
6	211743	4	Retaining Ring (For 7/16" shaft)
7	211742	2	Dowel Pin (7/16 dia. X 1-3/4" Lg.)
8	•†*305977	1	Warning Decal
9	61806OR9	1	Handle (For P157D & P159D)
	61806BL2	1	Handle (For 4017)
10	58048	1	Carry Handle
11	211470	1	Piston Clip
12	53094	1	Pump Body Cap
13	*15092	1	Rod Wiper
	†19321	1	Rod Wiper
	•250841	1	Rod Wiper
14	251336	1	Piston Assembly (Nitrile) } For P157D
	251514	1	Piston Assembly (Viton) } For P157D
	251515	1	Piston Assembly (EPR) } For P157D
	251377	1	Piston Assembly (Nitrile) } For 4017 & P159D
	251516	1	Piston Assembly (Viton) } For 4017 & P159D
	251517	1	Piston Assembly (EPR) } For 4017 & P159D
15	•†*213987	1	O-ring Backup Washer
16	*10271	2	O-ring (11/16 X 1/2 X 3/32; For 4017 & P159D)
	*10271	1	O-ring (11/16 X 1/2 X 3/32; For P157D)
	†11445	2	O-ring (For 4017 & P159D)
	†11445	1	O-ring (For P157D)
	•19406	2	O-ring (For 4017 & P159D)
	•19406	1	O-ring (For P157D)
17	61816	1	Pump Body

Item No.	Part No.	No. Req'd	Description
18	*214693	1	O-ring (3-7/8 X 3-5/8 X 1/8)
	†19048	1	O-ring
	•214072	1	O-ring
19	•†*215075	1	Filter Plug
20	21278	1	Relief Valve Assembly (See note below)
21	308621	1	Trade Name Decal (For P159D)
	308622	1	Trade Name Decal (For 4017)
	308623	1	Trade Name Decal (For P157D)
22	211547	1	Tie Rod
23	58041	1	Cap and Reservoir Assembly
24	52711	1	Reservoir Cap (Torque to 80/100 in. lbs.)
25	10204	1	Hex Nut (3/8-16; Torque to 150/170 in. lbs.)
26	*212739	1	Fill Cap Gasket
	†250731	1	Fill Cap Gasket
	•250732	1	Fill Cap Gasket
27	211769	1	Handle Grip
28	308486	1	Adapter (For P157D)
29	•†*19137	1	O-ring Backup Washer (For P157D)
30	*10913	1	O-ring (2" X 1-13/16 X 3/32; For P157D)
	†19015	1	O-ring
	•14287	1	O-ring
<b>PARTS INCLUDED BUT NOT SHOWN</b>			
	†205724	1	Decal (Viton seals)
	308588	1	Optional Handle Retainer
	•250328	1	Decal (EPR seals)

Part numbers marked with an asterisk (\*) are contained in Standard Repair Kit No. 300487.

Part numbers marked with a dagger (†) are contained in Viton Seal Kit No. 300508.

Part numbers marked with a bullet (•) are contained in EPR Seal Kit No. 300501.

## NOTE

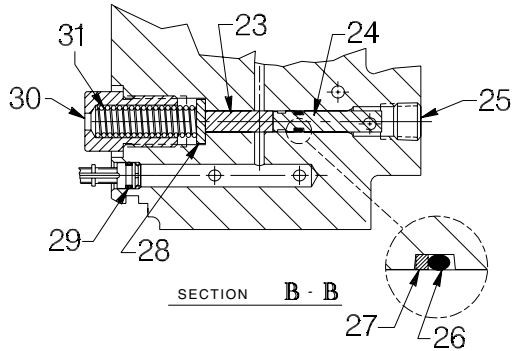
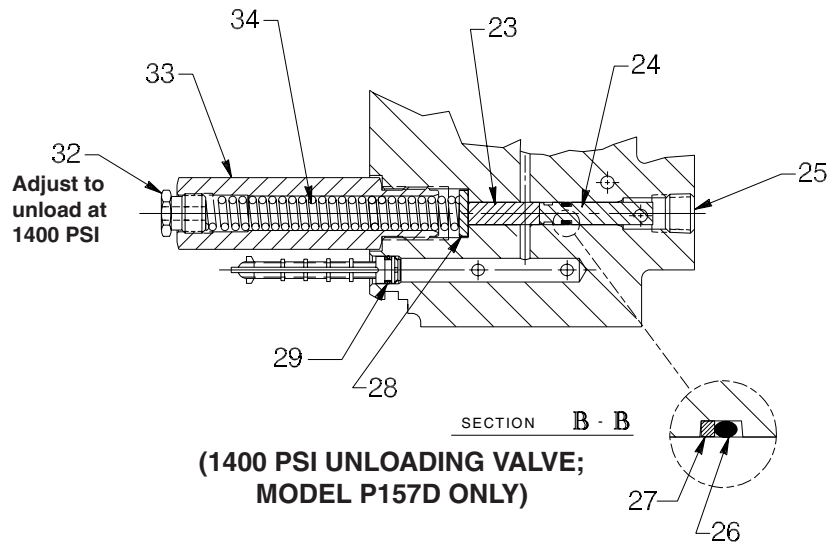
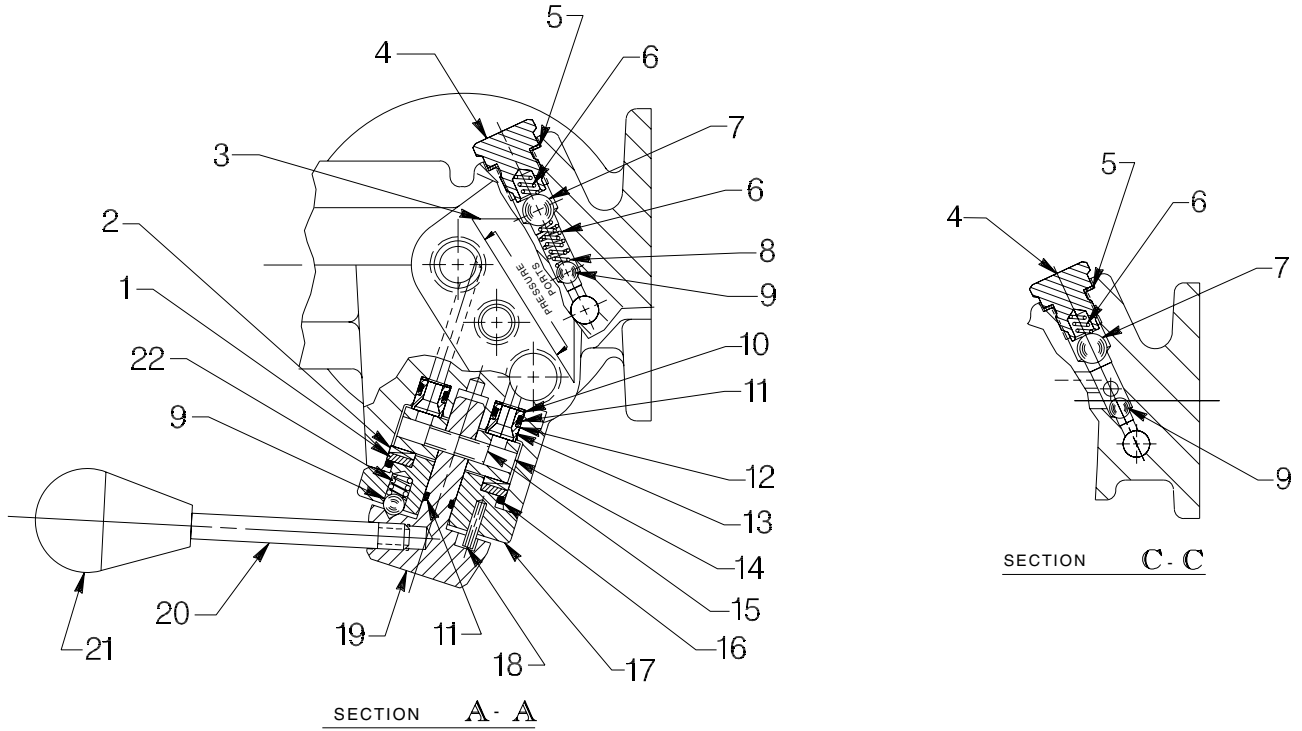
Standard relief valves are set at 10,100/10,700 PSI.

Relief valves pre-set at special settings are available.

Refer to your pump model number or contact Power Team Technical Services.

NOTE: Shaded areas reflect last revision(s) made to this form.

### SECTION VIEWS



## Parts List, Form No. 100711, Back sheet 2 of 2

Item No.	Part No.	No. Req'd	Description
1	12189	1	Needle Thrust Bearing Race
2	12188	1	Needle Thrust Bearing
3	215302	1	Decal
4	305975	2	Valve Screw (Torque to 350/370 in. lbs.)
5	*14874	2	Copper Washer (.700 X 1/2 X 1/32 Thk.)
6	*10444	3	Compression Spring (3/16 I.D. X 13/32 Lg.)
7	*10378	2	Steel Ball (3/8 dia.)
8	*211797	1	Compression Spring (5/32 O.D. X 5/8 Lg.)
9	*10375	3	Steel Ball (1/4 dia.)
10	*12187	3	Spring Washer (#10 style)
11	*10266	4	O-ring (3/8 X 1/4 X 1/16)
	†11438	4	O-ring
	•17715	1	O-ring
12	•†*12184	3	Backup Washer (3/8 X 1/4 X .048)
13	24570	3	Shear Seal
14	32071	1	Rotor
15	10716	1	Roll Pin (1/4 dia. X 3/4" Lg.)
16	*10930	1	O-ring (1-1/2 X 1-5/16 X 3/32)
	†19008	1	O-ring
	•13455	1	O-ring
17	25821	1	Cover
18	11587	1	Roll Pin (1/8 dia. X 1/2" Lg.)
19	32070	1	Stem
20	24564	1	Stud
21	12821	1	Knob
22	*12195	1	Compression Spring (1/4 O.D. X 1/2" Lg.)
23	14588	1	Dowell Pin
24	214691	1	Unloading Valve Piston
25	14972	2	Plug
26	*10265	1	O-ring (5/16 X 3/16 X 1/16)
	†11437	1	O-ring
	*17714	1	O-ring
27	•†*15174	1	O-ring Backup Washer (5/16 X 3/16 X 3/64)
28	214692	1	Disc
29	*12557	1	O-ring (11/32 X 7/32 X 1/16)
	†18973	1	O-ring
	*215375	1	O-ring
30	308430	1	Spring Retainer (For 4017 & P159D)
31	214694	1	Compression Spring (For 4017 & P159D)
32	305912	1	Valve Adjusting Screw (For P157D)
33	308488	1	Spring Retainer (For P157D)
34	214808	1	Compression Spring (15/32 O.D. X 4-7/16 Lg.; For P157D)

Part numbers marked with an asterisk (\*) are contained in Standard Repair Kit No. 300487.

Part numbers marked with a dagger (†) are contained in Viton Seal Kit No. 300508.

Part numbers marked with a bullet (•) are contained in EPR Seal Kit No. 300501.

Refer to any operating instructions included with this product for detailed information about operation, testing, disassembly, reassembly, and preventive maintenance.

Items found in this parts list have been carefully tested and selected. **Therefore: Use only genuine replacement parts!**

Additional questions can be directed to our Technical Services Department.