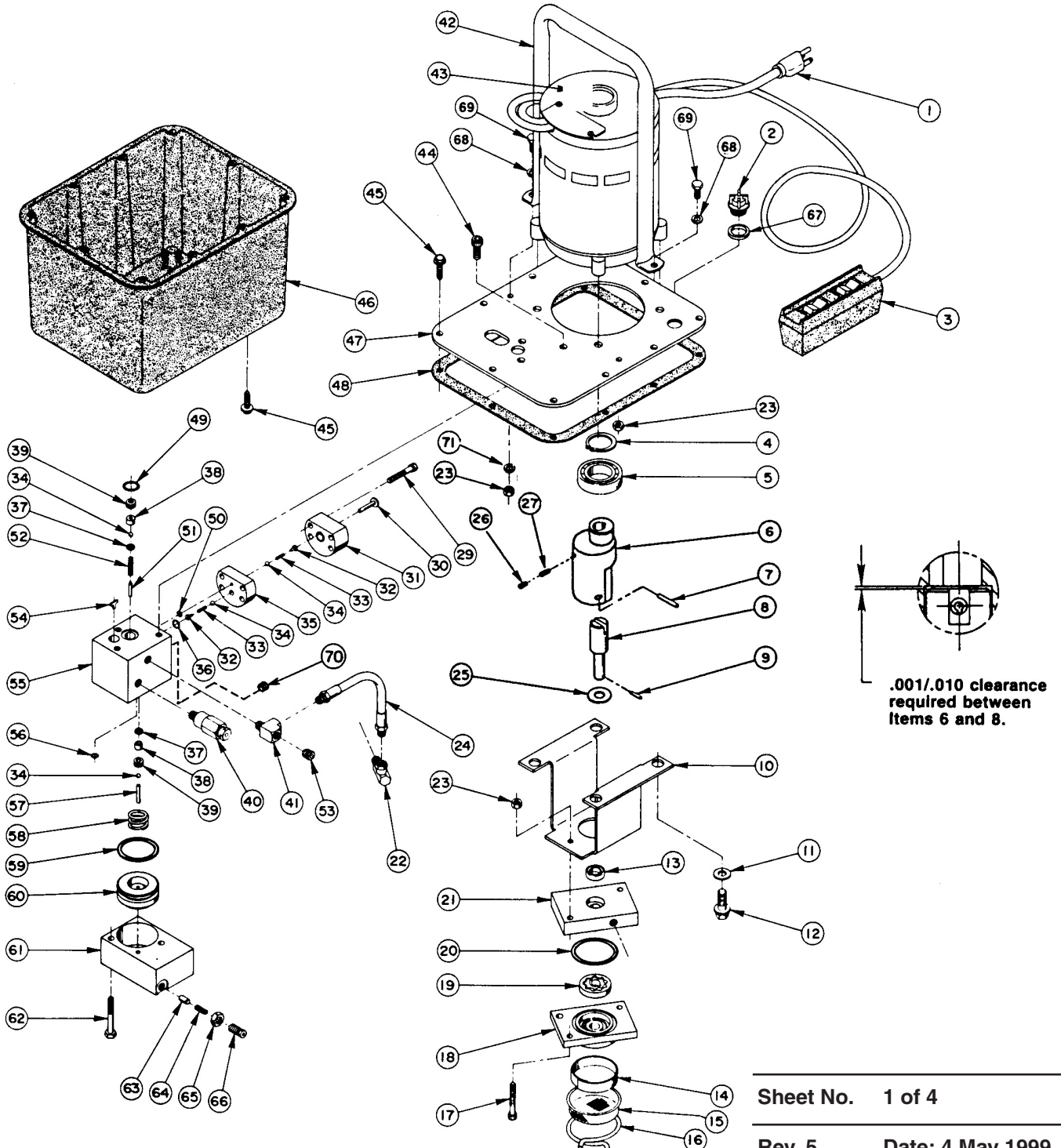


ELECTRIC HYDRAULIC PUMP WITH REMOTE CONTROLLED SOLENOID VALVE BASIC PUMP ASSEMBLY



Parts List, Form No. 100743, Back sheet 1 of 4

Item No.	Part No.	No. Req'd	Description
1	24733	1	Cord Set
2	20937	1	Filler/Vent Plug
3	350221	1	Remote Hand Switch Assembly (For 61463, PE172S-KJ, & PE172S-HW; See back sheet 3 of 4)
	12293	20 ft.	Electrical Cable (16/3 SJTO; For 65703-CJJ)
	351979	1	Hand Control (For 61463-CL; See sheet 4 of 4)
4	209798	1	Retaining Ring (1-3/16 shaft)
5	209805	1	Ball Bearing
6	45596	1	Eccentric
7	10973	1	Slotted Spring Pin
8	304835	1	Drive Shaft
9	209794	1	Gerotor Drive Pin
10	52174	1	Pump Mounting Bracket
11	10258	4	Washer (3/8 bolt)
12	213663	4	Cap Screw (3/8-16 UNC x 1" Lg.; Torque to 230/250 in. lbs.)
13	*304830	1	Seal
14	21846	1	Filter Support
15	21608	1	Filter
16	11461	1	Clamp Ring
17	10854	2	Cap Screw (1/4-20 UNC x 1-3/4 Lg.; Torque to 60/80 in. lbs.)
18	61169	1	Lower Gerotor Housing
19	304826	1	Gerotor Set
20	*10922	1	O-ring (2-1/8 x 1-15/16 x 3/32)
21	61170	1	Upper Gerotor Housing
22	14440	1	Swivel Elbow Fitting
23	10199	4	Nut
24	304819	1	Hose Assembly
25	12595	1	Brass Washer (1/2 bolt)
26	10519	1	Set Screw (Torque to 60/80 in. lbs.)
27	10136	1	Set Screw (Torque to 60/80 in. lbs.)
29	10022	4	Cap Screw (1/4-20 UNC x 1-1/2 Lg.; Torque to 180/200 in. lbs.)
30	304820	1	High Pressure Piston
31	45560	1	Piston Block
32	24549	2	Valve Guide
33	*10445	2	Compression Spring (5/32 O.D. x 1-1/2 Lg.)
34	*12223	4	Ball (3/16 dia.)
35	45559	1	Check Block
36	*14763	1	O-ring (7/16 x 5/16 x 1/16)
37	*10442	2	Copper Washer (3/8 x 1/4 x 1/32 thk.)
38	*209787	2	Replaceable Seat
39	209797	2	Hollow Lock Screw (7/16-20 UNF-3A; Torque to 180/200 in. lbs.)
40	21278	1	Relief Valve Assembly (Set at 10,100/10,700 PSI)
41	19463	1	Tee Fitting
42	47492	1	Handle
43	58196WH2	1	Electric Motor
44	10030	1	Cap Screw (5/16-18 UNC x 3/4 Lg.; Torque to 220/240 in. lbs.)
45	209799	AR	Self-tapping Screw (1/4-10 x 7/8 Lg.; For plastic reservoir)
	10177	AR	Machine Screw (1/4-20 UNC x 3/4 Lg.; For metal reservoir)
46	61165	1	Reservoir (Plastic)
	400630R9	1	Reservoir (Metal)
47	61166BK2	1	Cover Plate
48	*40164	1	Cover Gasket
49	*10273	1	O-ring (13/16 x 5/8 x 3/32)
50	*10265	1	O-ring (5/16 x 3/16 x 1/16)

CONTINUED

Note: Shaded areas reflect last revision(s) made to this form.

Item No.	Part No.	No. Req'd	Description
51	12149	1	Dowel Pin (1/8 dia. x 3/4 Lg.)
52	*16057	1	Compression Spring (3/16 O.D. x 1" Lg.)
53	10427	1	Pipe Plug (1/8 NPTF)
54	†209795	1	Outlet Ball Stop
55	61167	1	Check Body
56	*10266	1	O-ring (3/8 x 1/4 x 1/16)
57	211843	1	Dowel Pin (3/16 dia. x 1" Lg.; Loctite pin in piston hole with radius end out)
58	*16346	1	Compression Spring (1" O.D. x 7/8 Lg.)
59	*10283	1	O-ring (2" x 1-5/8 x 3/16)
60	46063	1	Automatic Valve Piston
61	52167	1	Automatic Valve Block
62	13037	2	Cap Screw (1/4-20 UNC x 2" Lg.; Torque to 40/50 in. lbs.)
63	15156	1	Dowel Pin (1/4 dia. x 1/2 Lg.; Tapered end toward spring)
64	*11221	1	Compression Spring (1/4 O.D. x 1" Lg.)
65	10386	1	Locknut (3/8-24)
66	*29786	1	Adjusting Screw
67	200415	1	Rubber Seal
68	11351	2	Lockwasher (1/4 external tooth)
69	10009	2	Cap Screw (1/4-20 UNC x 3/4 Lg.; Torque to 60/80 in. lbs.)
70	15130	1	Pipe Plug (1/16 NPTF)
71	10245	2	Lockwasher (For 1/4 bolt)

PARTS INCLUDED BUT NOT SHOWN

200188	1	Warning Decal
351060	1	Gasket (Between motor and cover plate)

Part numbers marked with an asterisk (*) are contained in Repair Kit No. 300430.

Part numbers marked with a dagger (†) are contained in Repair Kit No. 300606 along with numbers marked on sheet 2 of 3.

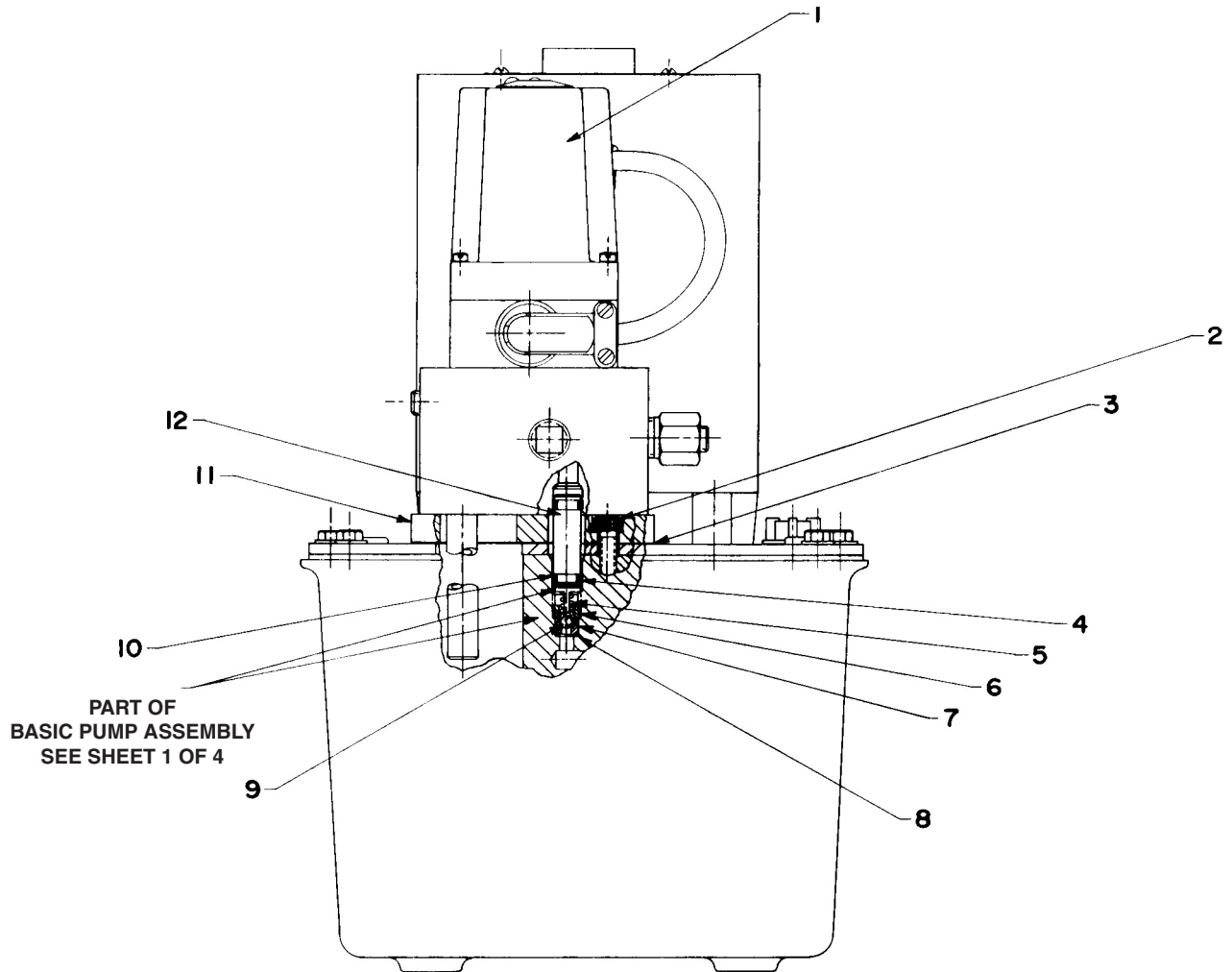
AR: As Required

Refer to any operating instructions included with this product for detailed information about operation, testing, disassembly, reassembly, and preventive maintenance.

Items found in this parts list have been carefully tested and selected. **Therefore: Use only genuine Power Team replacement parts!**

Additional questions can be directed to our Technical Services Department.

PUMP END VIEW



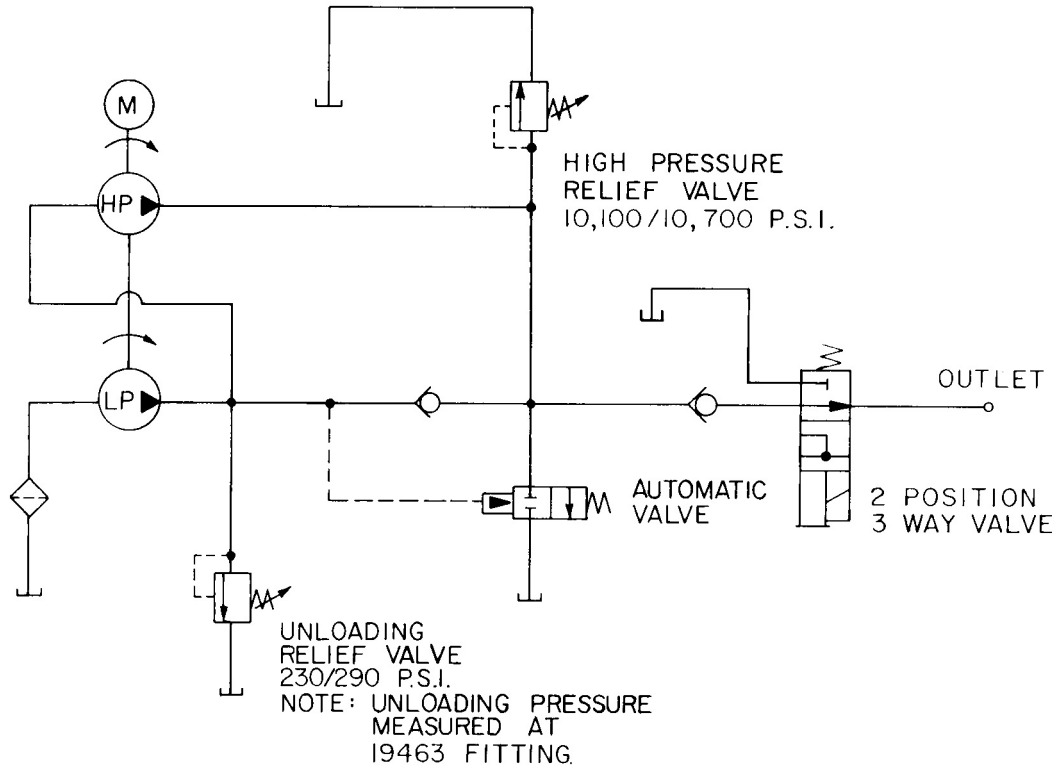
Item No.	Part No.	No. Req'd	Description
1	42621	1	Solenoid Operated Valve (See Form No. 100445)
2	10030	2	Cap Screw (5/16-18 UNC x 3/4 Lg.; Torque to 220/240 in. lbs.)
3	200395	1	Gasket
4	†10268	2	O-ring (1/2 x 3/8 x 1/16)
5	211797	1	Compression Spring
6	209797	1	Hollow Lock Screw (7/16-20 UNF-3A; Torque to 180/200 in. lbs.)
7	†*209787	1	Replaceable Seat
8	†*10442	1	Copper Washer (3/8 x 1/4 x 1/32 thk.)
9	†*12223	1	Ball (3/16 dia.)
10	†11863	2	Backup Washer
11	52165	1	Adapter Block
12	209809	1	Coupling

PARTS INCLUDED BUT NOT SHOWN

11203	1	Straight Conduit Connector
11144	1	90° Conduit Connector

Part numbers marked with an asterisk (*) are contained in Repair Kit No. 300430.
 Part numbers marked with a dagger (†) and part no. 209795 outlet ball stop (Item #54 on sheet 2 of 4) are included in Repair Kit No. 300606.

HYDRAULIC SCHEMATIC



ELECTRICAL SCHEMATIC

115 V., 60 Hz.

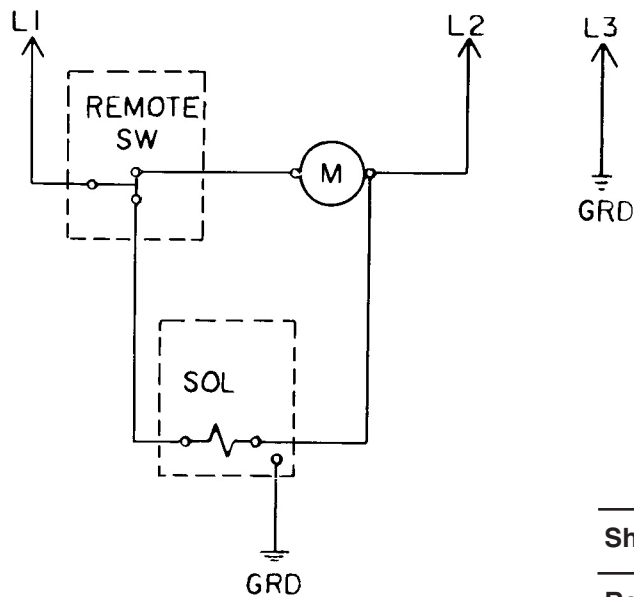


WARNING

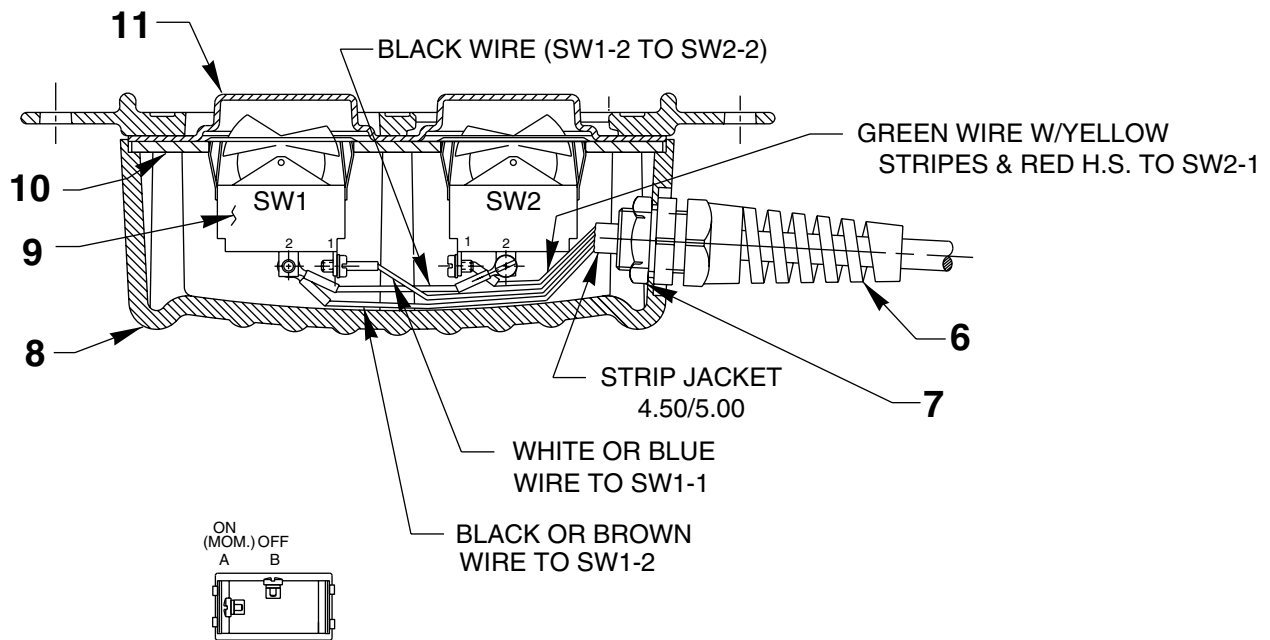
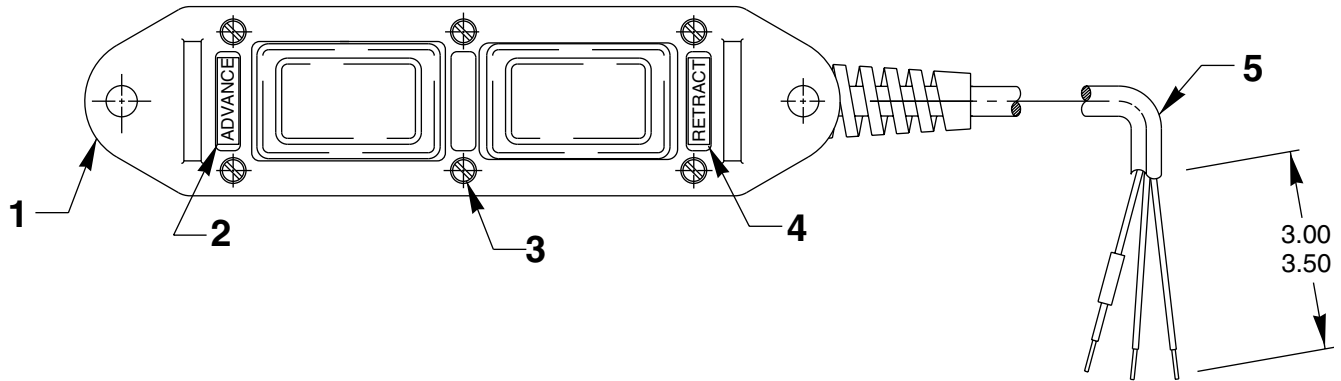
To help avoid personal injury, all electrical work must be done by a qualified electrician.

North American & International Color Codes

Conductors	North American	International
Line.....	Black.....	Brown
Neutral.....	White.....	Blue
Ground.....	Green.....	Green/Yellow

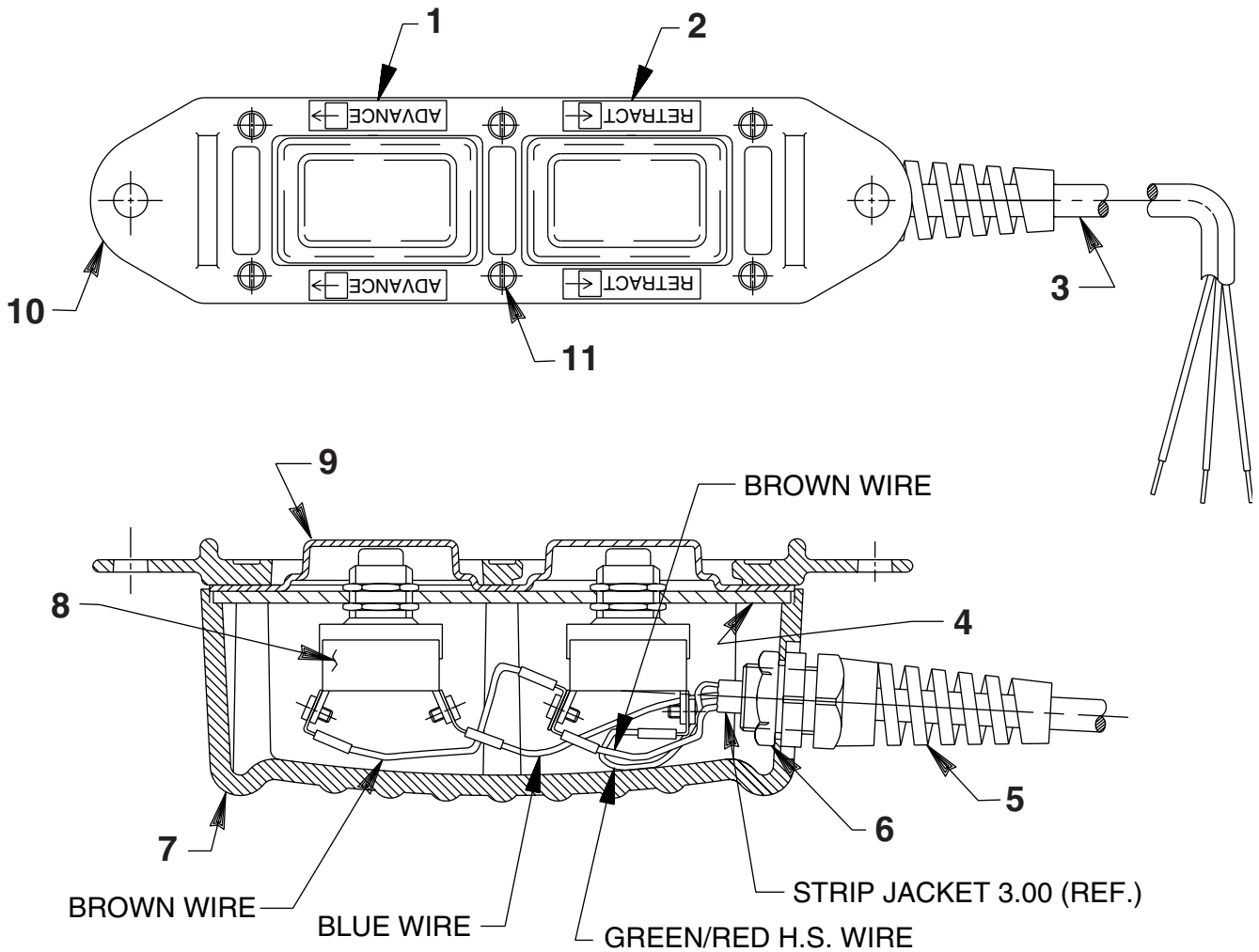


REMOTE HAND SWITCH ASSEMBLY (#350221)



Item No.	Part No.	No. Req'd	Description
1	251044	1	Plastic Cover
2	29663	1	Decal (Advance)
3	250248	6	Screw (4-24 x 3/4 Lg.)
4	29664	1	Decal (Retract)
5	12293	25'	Electrical Cable (16/3 SJTO)
6	251818	1	Strain Relief Bushing
7	251802	1	Locknut (Torque to 30/35 in. lbs.)
8	420050-4	1	Switch Housing
9	16772	2	Rocker Switch
10	420050-3	1	Switch Mounting Plate
11	420050-2	1	Gasket

REMOTE HAND SWITCH ASSEMBLY (#351979)



Item No.	Part No.	No. Req'd	Description
1	29663	2	Decal, Label Advance
2	29664	2	Decal, Label Retract
3	12293	25'	Cable, 16/3 SJTO
4	421880	1	Plate, Switch Mounting
5	251818	1	Bushing, Strain Relief
6	251802	1	Nut, Hex Lock PG11 Thread (Torque to 30/35 in. lbs.)
7	420050-4	1	Housing, Switch
8	253197	2	Switch, Push Button
9	420050-2	1	Gasket, Remote Hand Switch
10	251044	1	Cover, Plastic
11	250248	6	Screw, Pan Head (4-24 x 3/4)