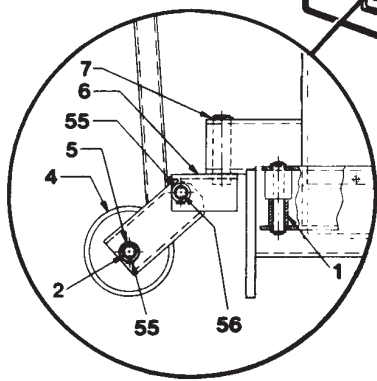
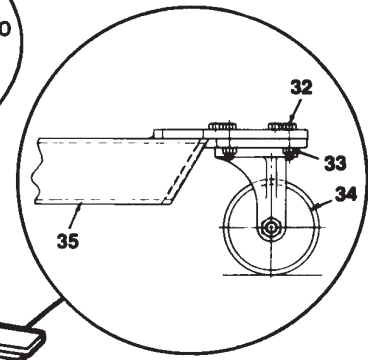
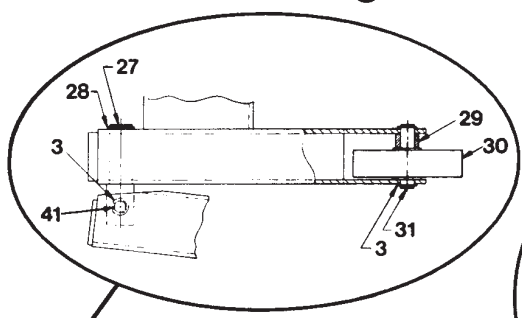
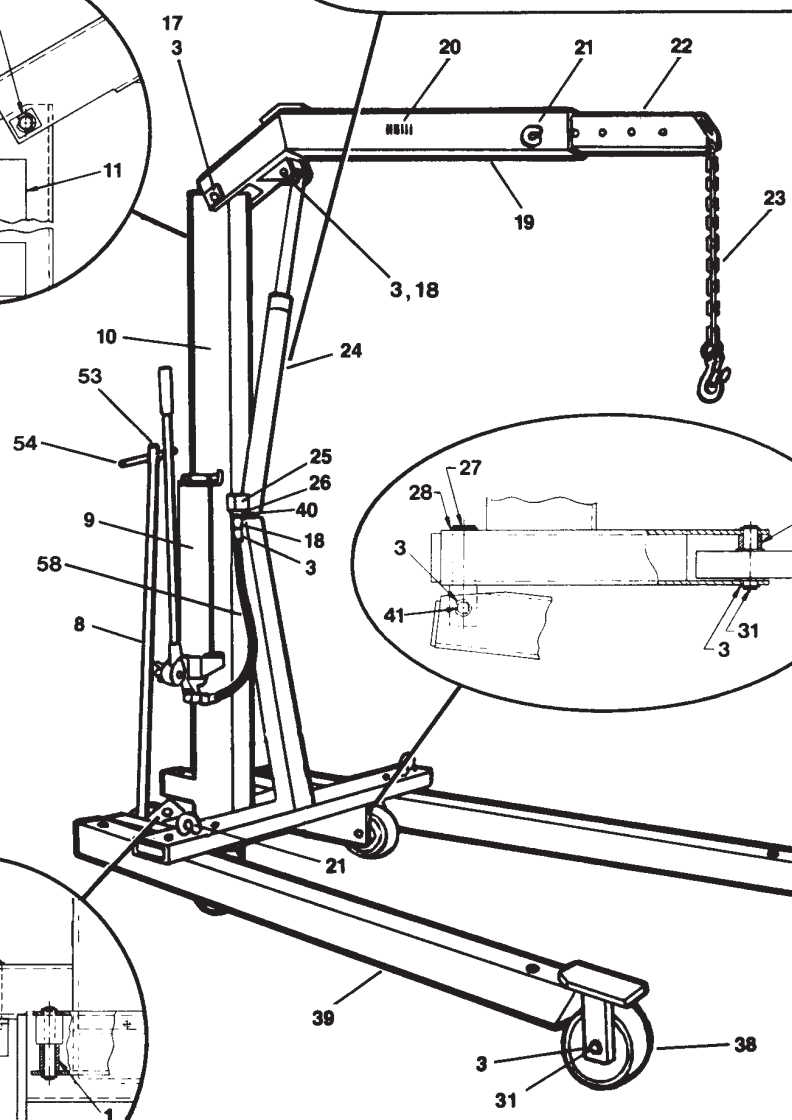
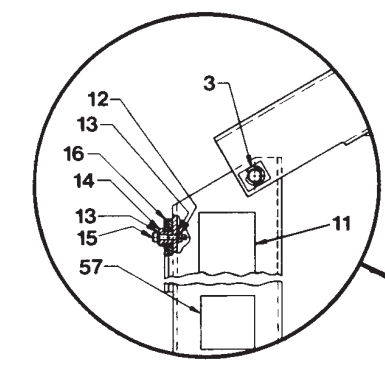
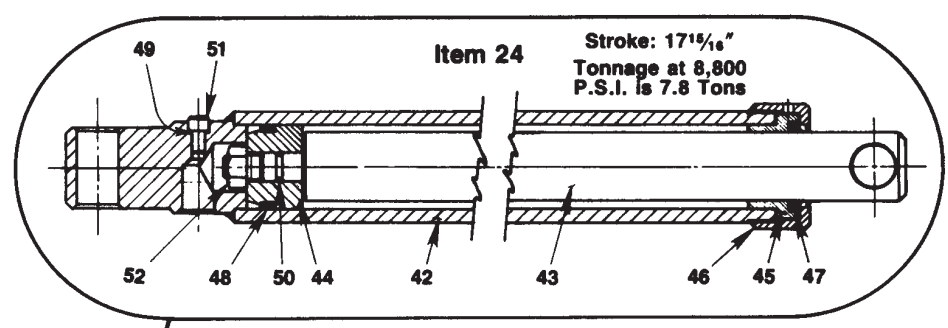


Mobile Floor Crane

Max. Capacity: 2,200 lbs.
(boom retracted)

Max. Capacity: 1,650 lbs.
(boom extended)



Parts List, Form No. 100777, Back sheet 1 of 1

Item No.	Part No.	No. Req'd	Description	Item No.	Part No.	No. Req'd	Description
1	28571	2	Spacer	31	28592	3	Pin
2	309262	1	Pin	32	10052	4	Hex Hd. Cap Screw (3/8-16 UNC x 1-1/4 lg.)
3	11902	16	Retaining Ring (for 3/4" shaft)	33	12353	4	Hex Nut (3/8-16)
4	12078-1	1	Wheel	34	12342-1	1	Caster Wheel
5	12330	2	Washer (for 3/4" bolt)	35	41386OR9	1	L.H. Leg
6	47762	1	Pivot Block Assembly	38	12119-1	1	Wheel
7	11998	1	Retaining Ring (for 1" shaft)	39	41387OR9	1	R.H. Leg
8	53422	1	Dolly Assembly	40	13273	1	Plug
9	64662	1	Hand Pump (8,700/9,300 PSI; see Form #101403)	41	28586	2	Pin
10	60147	1	Floor Crane Frame	42	34078	1	Cylinder
11	308833	2	Warning Decal	43	34079	1	Piston Rod
12	13116	1	Locknut (5/16-18)	44	28565	1	Piston Head
13	10257	2	Washer (for 5/16" bolt)	45	28566	1	Guide
14	205052	1	Spacer	46	28567	1	Collar
15	10948	1	Cap Screw (5/16-18 x 1-1/2 lg.)	47	* 13028	1	Rod Wiper
16	38842	2	Leg Catch	48	* 11372	1	U-cup
17	209396	1	Pin	49	* 10442	1	Soft Copper Washer (3/8 x 1/4 x 1/32)
18	28584	2	Pin	50	* 10268	1	O-ring (1/2 x 3/8 x 1/16, -012)
19	41388OR9	1	Boom Assembly	51	10002	1	Cap Screw (1/4-20 UNC x 3/8" lg.)
20	304666	1	Capacity Decal	52	14223	1	Locknut (7/16-20 UNF)
21	220064	3	Pin	53	207655	1	Tube Cap
22	41394	1	Boom Extension	54	209550	2	End Cap
23	39610	1	Chain Assembly (see Note below)	55	14855	4	Retaining Ring (for 3/4" shaft)
24	41375	1	Cylinder Assembly (consists of items 42 - 52)	56	309260	1	Pin
25	28824	1	Flow Control Valve	57	309219	2	Trade Name Decal
26	10469	1	Adapter Union	58	36890	1	Hydraulic Hose
27	34090	2	Swivel Block				
28	14296	2	Retaining Ring (for 1-1/4" shaft)				
29	28625	2	Spacer				
30	12120-1	2	Wheel				

Part numbers marked with an asterisk (*) are contained in Repair Kit No. 300373.

Note: For replacement safety latch hook kit, order No. 251830.

Refer to any operating instructions included with this product for detailed information about operation, testing, disassembly, reassembly, and preventive maintenance.

Items found in this parts list have been carefully tested and selected. **Therefore: Use only genuine replacement parts!**

Additional questions can be directed to our Technical Services Department.