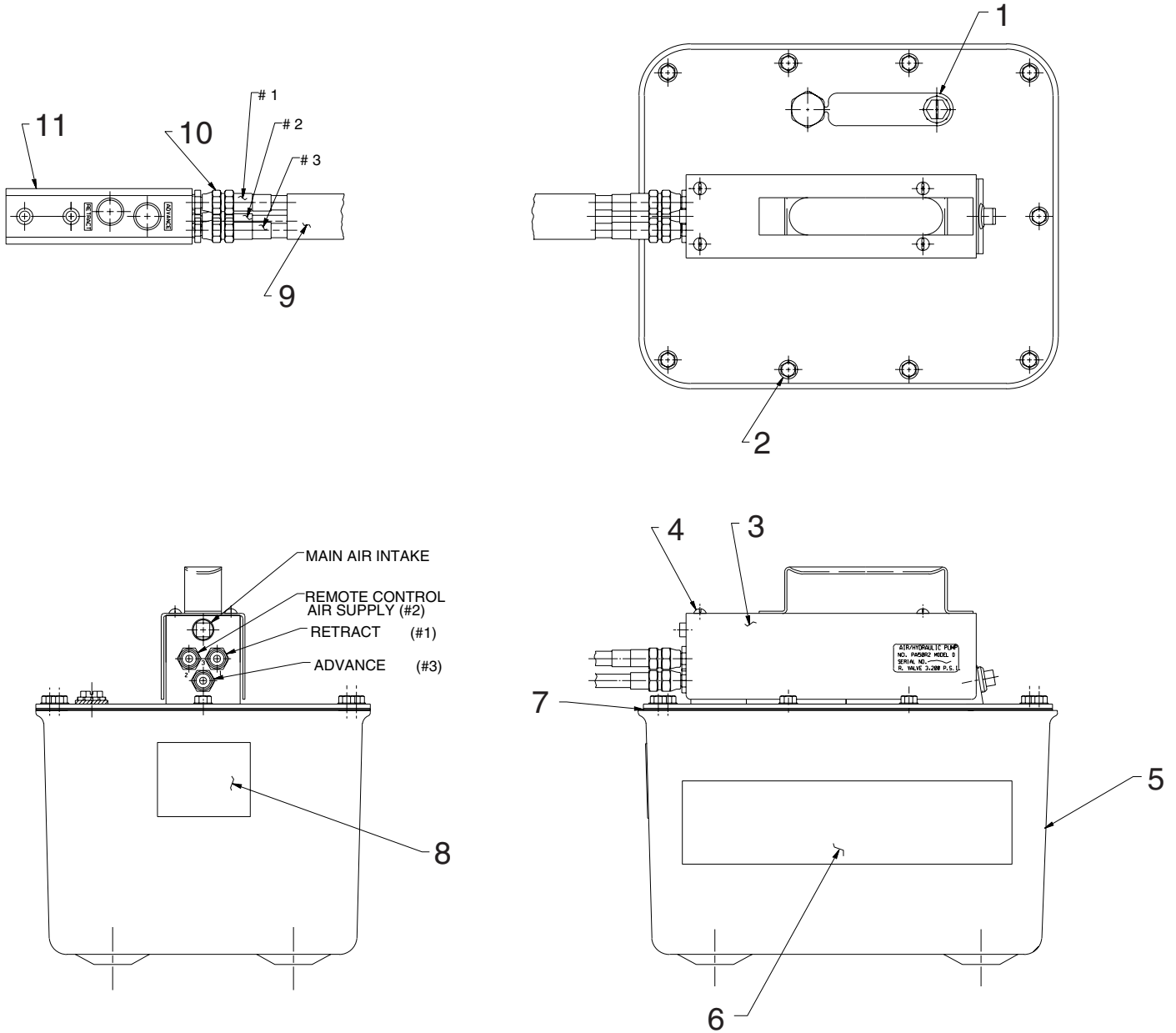


Parts List for:

PA50R2
PA50R2E
PA50R2N
PA50R2V

REMOTE CONTROLLED AIR HYDRAULIC PUMP

GENERAL ASSEMBLY



Item No.	Part No.	No. Req'd	Description
1	24132S	1	Cap & Gasket Assembly
2	209799	14	Cap Screw (1/4-10 X 7/8 Lg. Self-tapping; Torque to 35/45 in. lbs.)
3	41605	1	Shroud
4	10164	4	Slotted Screw (#10-24 UNC X 3/8 Lg.)
5	61243	1	Reservoir
6	309219	2	Trade Name Decal
7	47409	1	Reservoir Gasket
8	305494	1	Important Decal
9	45052	1	Hose Assembly
10	208218	6	Straight Fitting
11	44025	1	Remote Hand Control Switch

PARTS INCLUDED BUT NOT SHOWN

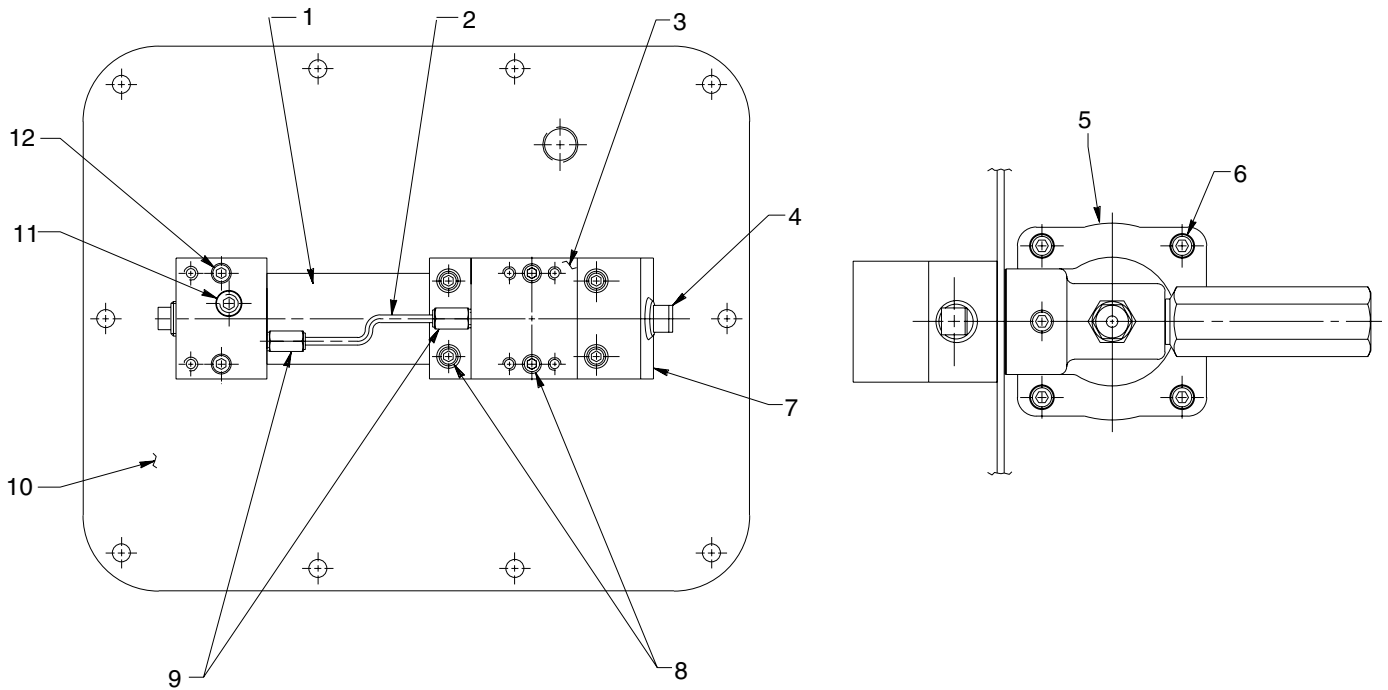
205724	1	Decal (Viton seals)
250328	1	Decal (EPR seals)

Refer to any operating instructions included with this product for detailed information about operation, testing, disassembly, reassembly, and preventive maintenance.

Items found in this parts list have been carefully tested and selected. **Therefore: Use only genuine Power Team replacement parts!**

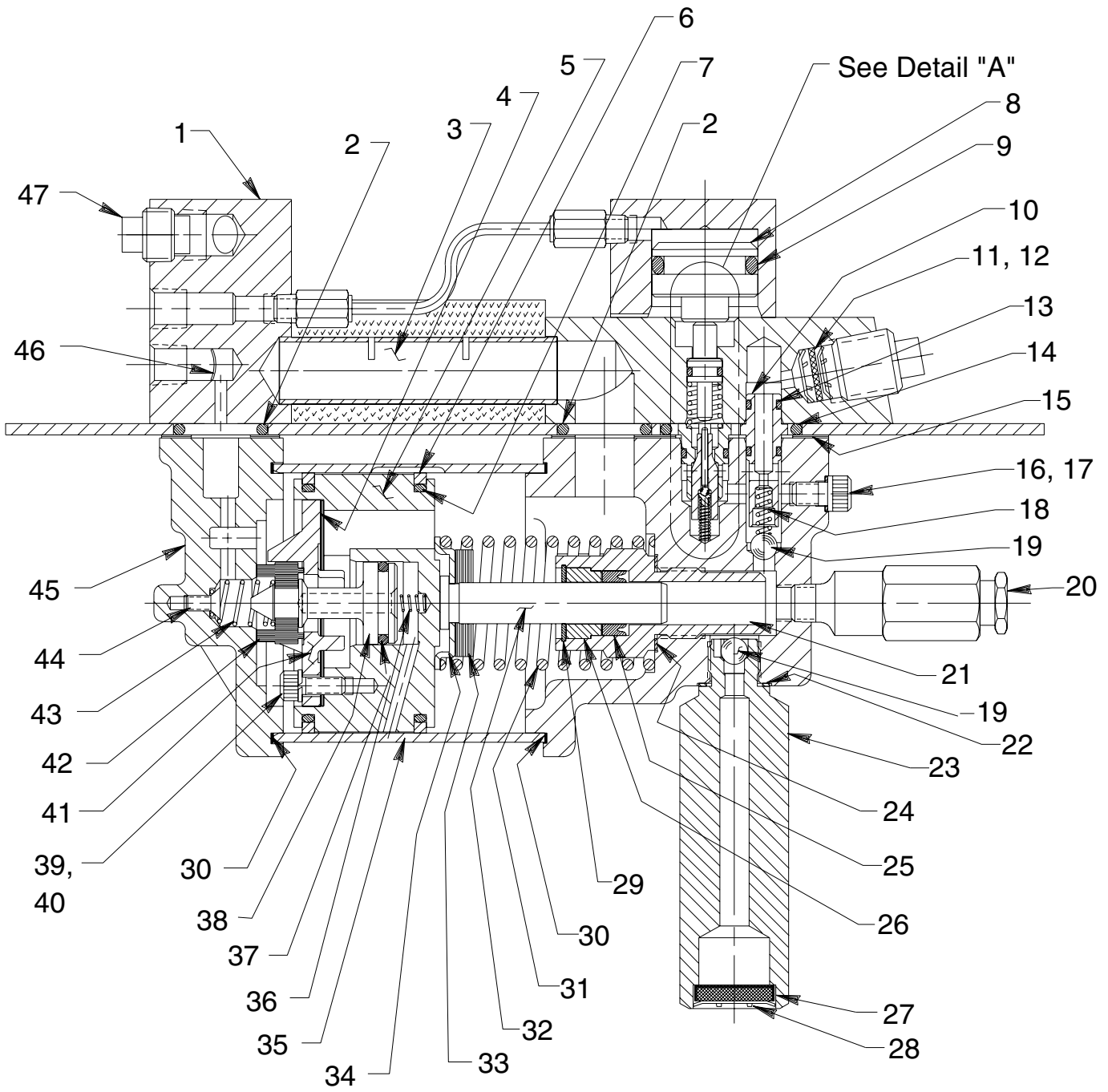
Additional questions can be directed to our Technical Services Department.

BASIC PUMP ASSEMBLY TOP VIEW



Item No.	Part No.	No. Req'd	Description
1	29992	1	Foam Tube
2	14281	.3 ft.	Tubing
3	34759	1	Release Valve
4	11127	1	Pressure Plug
5	50494	1	Pump Body
6	17428	4	Soc. Hd. Cap Screw (1/4-20 UNC X 3-1/2 Lg.; Torque to 85/95 in. lbs. oiled. Note: Cross torque in increments of 30 in. lbs.)
7	41598	1	Release Valve
8	11151	6	Cap Screw (10-24 UNC X 1-1/4 Lg.; Torque to 50/60 in. lbs.)
9	250725	2	Fitting
10	51031BK2	1	Cover Plate
11	15499	1	Pipe Plug (1/8 NPTF)
12	14423	2	Cap Screw (#10-24 X 2" Lg.)

BASIC PUMP ASSEMBLY SIDE VIEW



DETAIL "B"

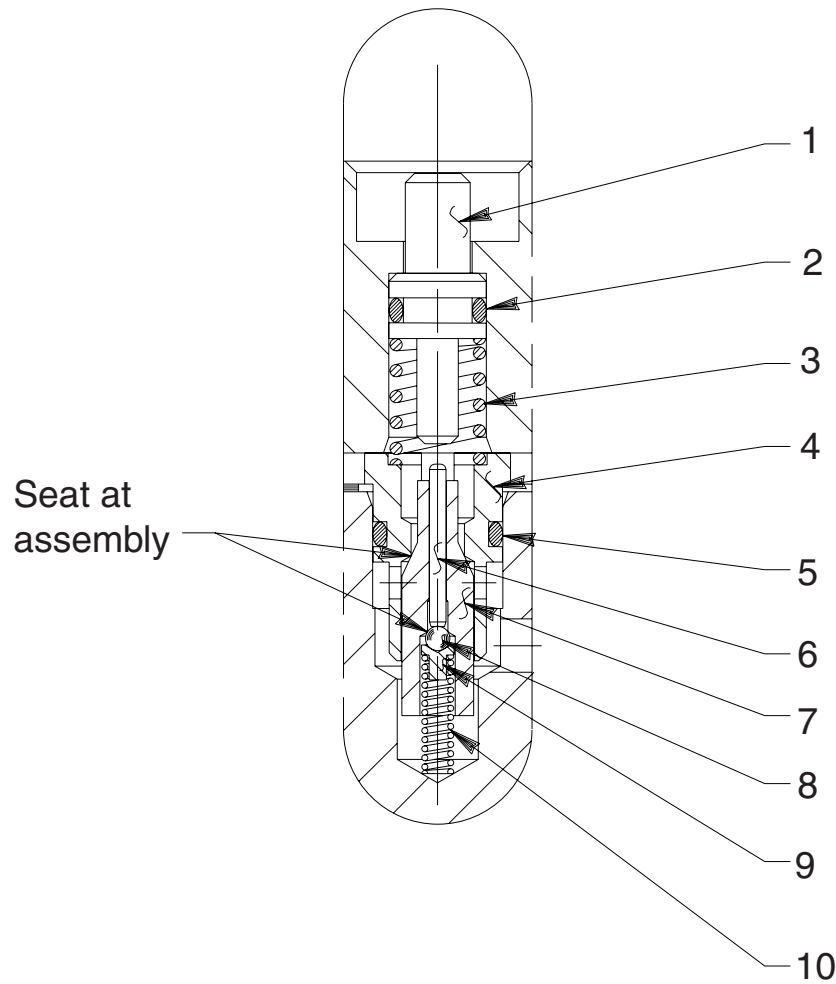
Item No.	Part No.	No. Req'd	Description	Item No.	Part No.	No. Req'd	Description
1	41601	1	Manifold	22	10261	1	Copper Washer (3/4 x 19/32 x 1/32)
2	251214	2	O-ring (1.002 x .720 x .141; Nitrile)	23	48008	1	Filter Adapter (Torque to 40/50 ft. lbs. oiled.)
	251217	2	O-ring (1.002 x .720 x .141; Vitron)	24	10263	1	Copper Washer (1" x .765 x 1/32)
	251213	2	O-ring (1.002 x .720 x .141; EPR)	25	14121	1	U-cup
3	28387	1	Muffler	26	202624	1	Retainer
4	28239	1	Gasket	27	214578	1	Filter
5	52390	1	Piston Body	28	214586	1	Retaining Ring (Internal)
6	14265	2	Piston Ring	29	11034	1	Retaining Ring (Note: Install with sharp edge toward the retained part. See Detail "B".)
7	11229	2	O-ring (2-3/8 x 2-3/16 x 3/32, -139; Nitrile)	30	17429	2	Backup Washer (2-15/16 x 2-3/4 x .045, -148)
	11446	2	O-ring (2-3/8 x 2-3/16 x 3/32, -139; Viton)	31	13938	1	Spring (1.452 O.D. x 4-7/16 Lg.)
	212888	2	O-ring (2-3/8 x 2-3/16 x 3/32, -139; EPR)	32	28400	1	Piston
8	34757	1	Piston Release	33	202613	1	Bumper
9	208144	1	O-ring (1-1/8 x 7/8 x 1/8, -212; Nitrile; Apply moly-kote)	34	211082	1	Spring Guide
	19028	1	O-ring (1-1/8 x 7/8 x 1/8, -212; Viton; Apply moly-kote)	35	37434	1	Air Cylinder (Note: Locate groove on upper half [top] of pump with chamfered tube end towards rear head as shown.)
	19386	1	O-ring (1-1/8 x 7/8 x 1/8, -212; EPR; Apply moly-kote)	36	12692	1	Spring (3/16 O.D. x 1-11/16 Lg.)
10	34378	1	Check Valve Body	37	211052	1	O-ring (.900 x .706 x .097, -909; Nitrile)
11	250638	1	Filter Disc		250192	1	O-ring (.900 x .706 x .097, -909; Viton)
12	11088	2	Retaining Ring		250193	1	O-ring (.900 x .706 x .097, -909; EPR)
13	211053	2	O-ring (3/8 x 1/4 x 1/16, -010; Nitrile)	38	305475	1	Exhaust Valve Stem
	11438	2	O-ring (3/8 x 1/4 x 1/16, -010; Viton)	39	10241	3	Lockwasher (For #10 bolt)
	17715	2	O-ring (3/8 x 1/4 x 1/16, -010; EPR)	40	211054	3	Screw (#10-24 x 1/2 Lg.; Torque to 50/55 in. lbs.)
14	251215	1	O-ring (1.494 x 1.212 x .141; Nitrile)	41	33822	1	Piston End Plate
	251216	1	O-ring (1.494 x 1.212 x .141; Viton)	42	28183	1	Piston Poppet
	251212	1	O-ring (1.494 x 1.212 x .141; EPR)	43	205679	1	Spring (.485 O.D. x .915 Lg.)
15	34283	1	Gasket	44	205674	1	Screw (8-32 UNC x 3/8 Lg.; Torque to 12/18 in. lbs.)
16	10442	1	Washer (3/8 x 1/4 x 1/32)	45	51480	1	Rear Head
17	10002	1	Cap Screw (1/4-20 UNC x 3/8 Lg.; Torque to 90/110 in. lbs.)	46	216296	1	Filter Disc
18	10445	1	Compression Spring (5/32 O.D. x 3/4 Lg.)	47	13272	1	Plastic Pipe Plug
19	10423	2	Steel Ball (9/32 dia.)				
20	21278-32	1	Relief Valve Assembly (Set at 3,100/3,300 PSI; See NOTE below)				
21	33959	1	Cylinder (Torque to 90/100 ft. lbs.)				

NOTE

Standard relief valves are set at 10,100/10,700 PSI.
Relief valves pre-set at special settings are available.
Refer to your pump model number or contact Power Team Technical Services.

Note: Shaded areas reflect last revision(s) made to this form.

DETAIL "A"



Item No.	Part No.	No. Req'd	Description
1	28227	1	Release Valve Button
2	211053	1	O-ring (3/8 X 1/4 X 1/16, -010)
3	13944	1	Spring (3/8 O.D. X 1/2 Lg.)
4	34377	1	Poppet Retainer
5	15279	1	O-ring (1/2 X 3/8 X 1/16, -012)
6	13937	1	Dowel Pin (Note: Place tapered end toward ball.)
7	29037	1	Release Valve Poppet
8	14443	1	Steel Ball (3/32 Dia.)
9	209736	1	Ball Retainer
10	13959	1	Compression Spring (1/8 O.D. x 1/2 Lg.)