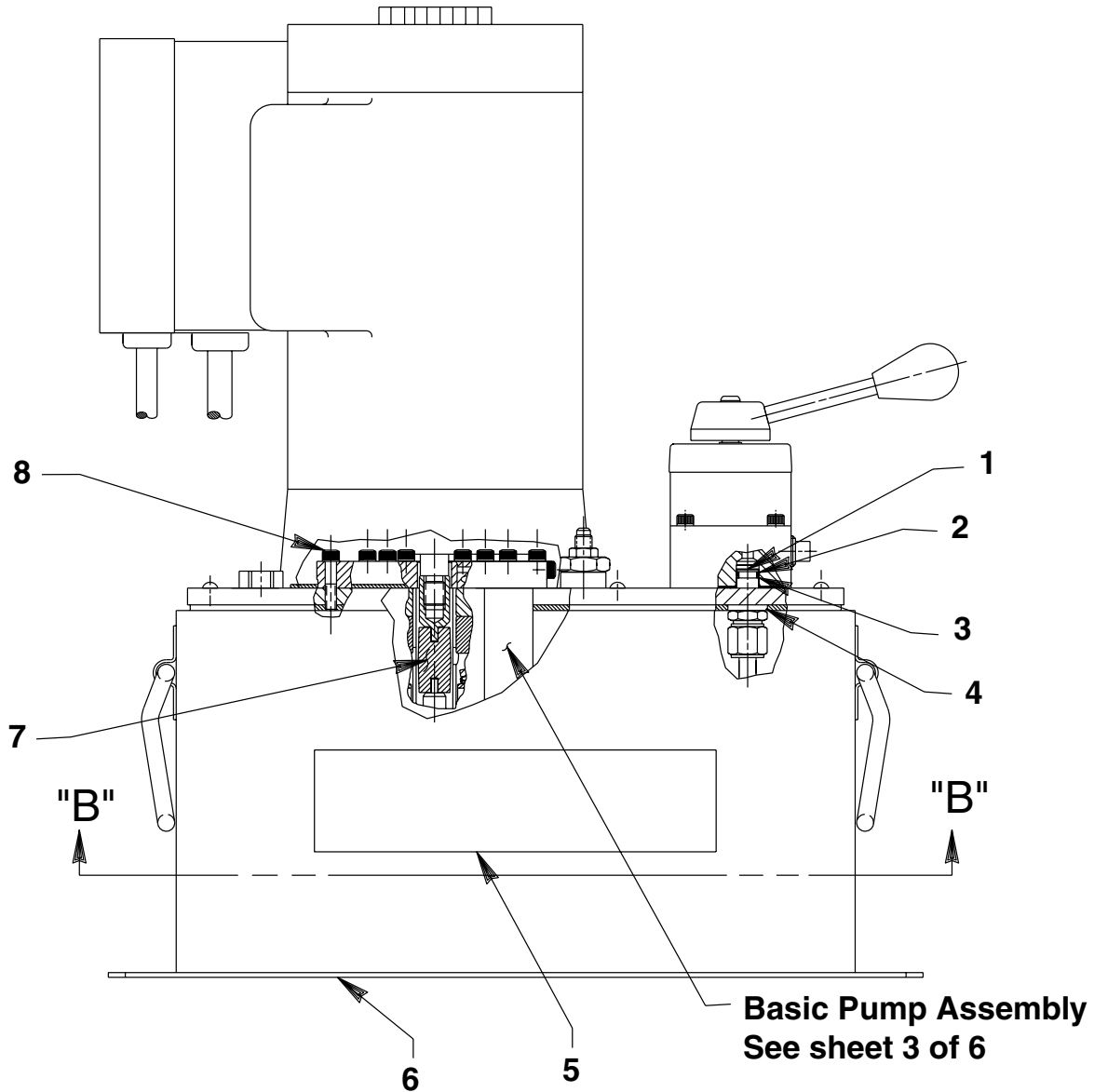


Parts List for:

PED253  
PED253-50-220  
PED254  
PED254-50-220

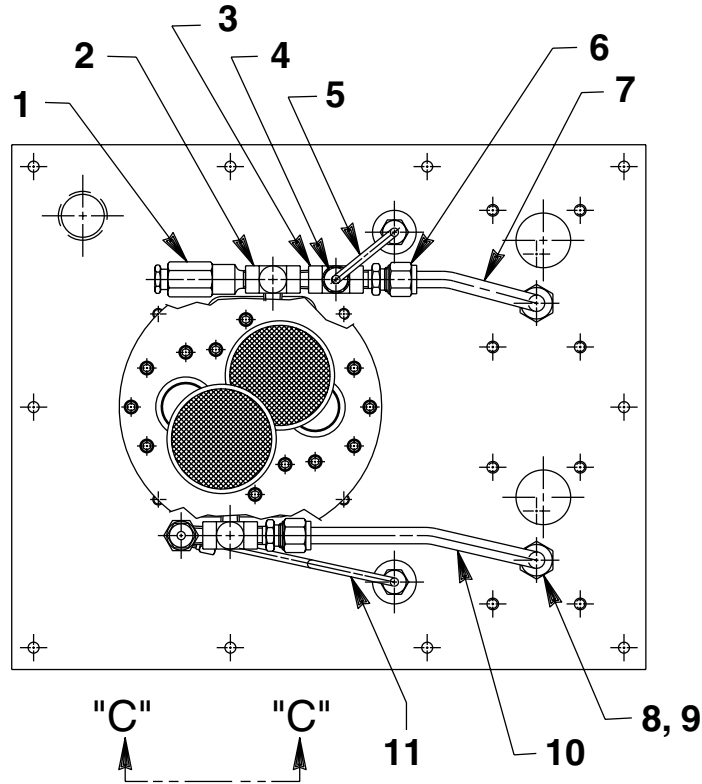
**ELECTRIC HYDRAULIC DUAL PUMP**



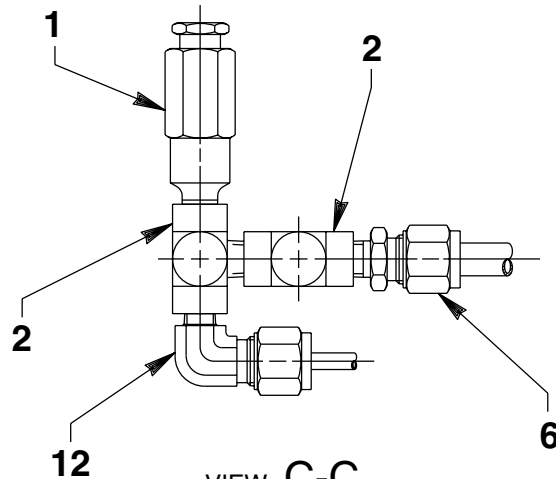
Item No.	Part No.	No. Req'd	Description
1	20787	2	Valve Connector
2	10268	2	O-ring (1/2 X 3/8 X 1/16)
3	11863	2	Backup Washer (1/2 X 3/8 X 1/16)
4	21484	2	Spacer
5	309219	2	Decal

Item No.	Part No.	No. Req'd	Description
6	40137OR9	1	Reservoir
7	251206	1	Coupling
8	10016	2	Cap Screw (1/4-20 UNC X 1" Lg.; Torque to 80/100 in. lbs.)

SECTIONS B-B & C-C



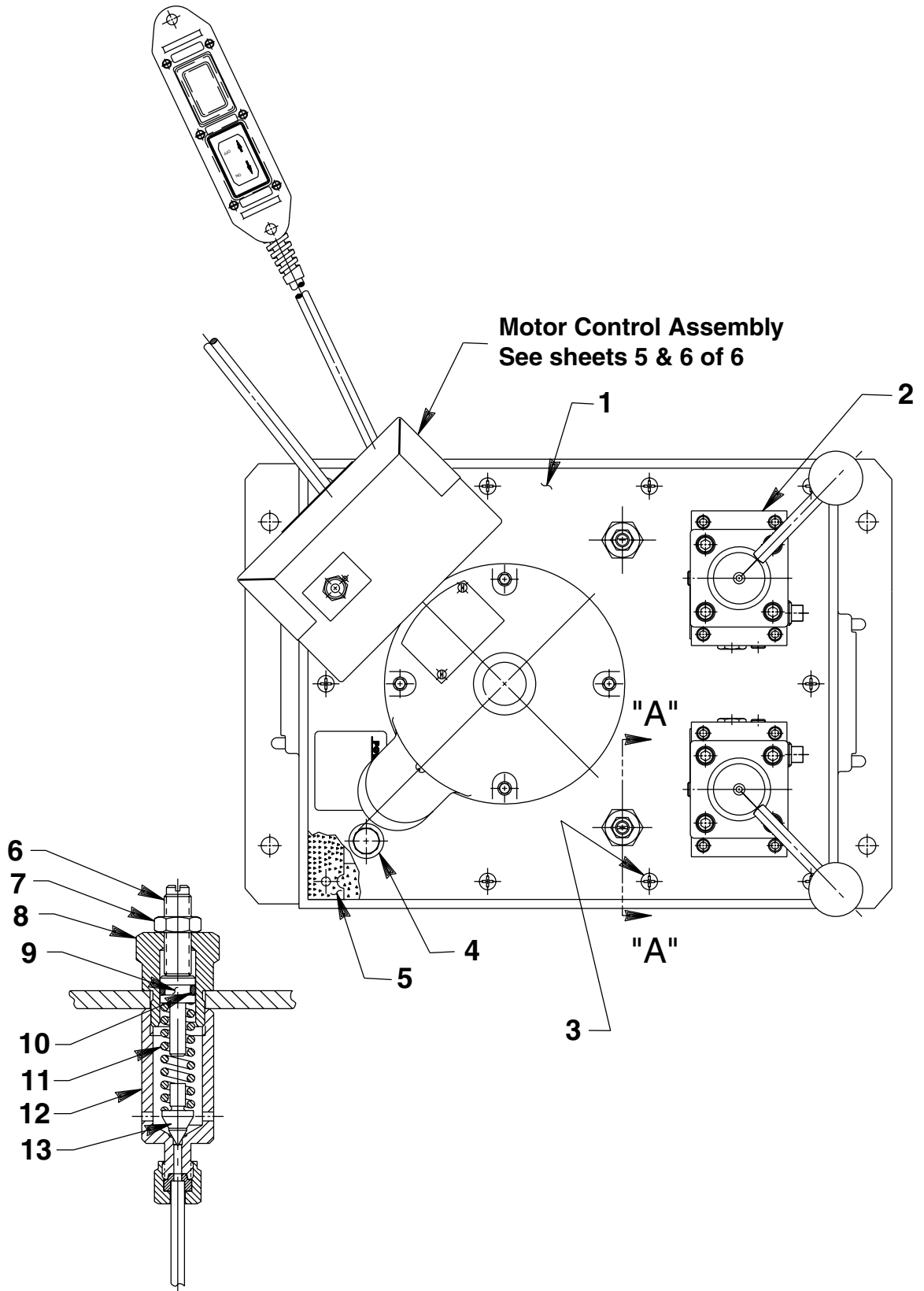
VIEW B-B



VIEW C-C  
SCALE 1=1

Item No.	Part No.	No. Req'd	Description	Item No.	Part No.	No. Req'd	Description
1	21278	2	Relief Valve Assembly (Set at 10,100 / 10,700 PSI)	7	350430	1	Oil Line Tube
2	14538	3	Tee	8	10431	2	Tube Nut
3	18969	1	Pipe Tee	9	10430	2	Tube Sleeve
4	14844	1	Connector	10	350429	1	Oil Line Tube
5	250842	1	Oil Line Assembly	11	250843	1	Oil Line Assembly
6	12696	2	Connector	12	16177	1	Tube Elbow

TOP VIEW AND SECTION A-A

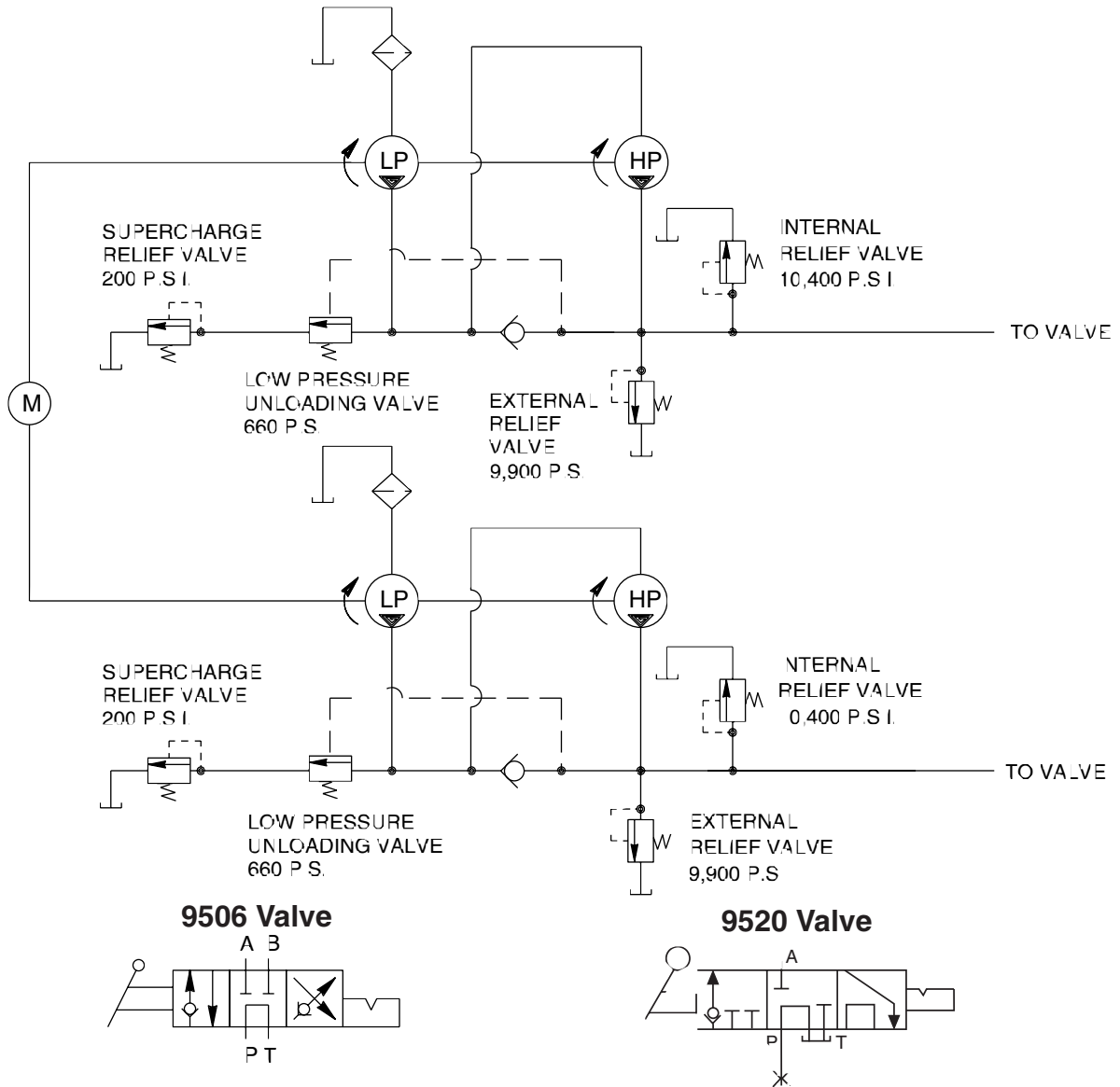


# Parts List, Form No. 101286, Back sheet 2 of 6

Item No.	Part No.	No. Req'd	Description
1	64305BK2	1	Cover Plate
2	9506	2	Valve (3 position, 4-way; For PED254 & PED254-50-220; See Form No. 100628)
	9520	2	Valve (3 position, 3-way; For PED253 & PED253-50-220; See Form No. 101377)
3	10177	10	Cap Screw (1/4-20 UNC X 3/4 Lg.)
4	20937	1	Plug
5	40490	1	Gasket

Item No.	Part No.	No. Req'd	Description
6	22362	2	Adjusting Screw
7	10386	2	Nut
8	21305	2	Valve Cap
9	21306	2	Spring Guide
10	10268	2	O-ring (1/2 X 3/8 X 1/16)
11	10495	2	Compression Spring (1/2 O.D. X 1-5/8 Lg.)
12	22361	2	Body
13	21046	2	Valve Stem

## HYDRAULIC SCHEMATIC

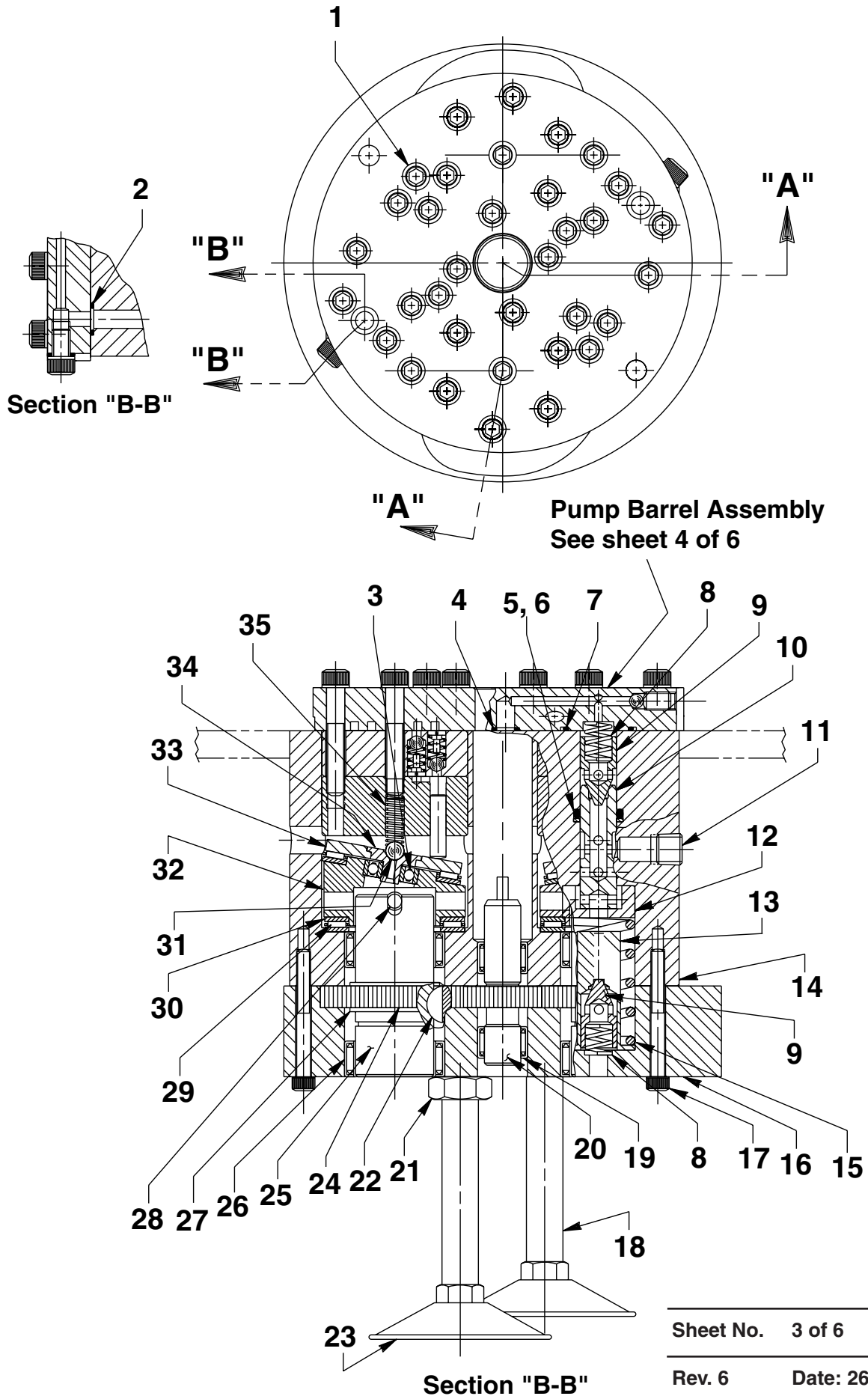


Refer to any operating instructions included with this product for detailed information about operation, testing, disassembly, reassembly, and preventive maintenance.

Items found in this parts list have been carefully tested and selected. **Therefore: Use only genuine Power Team replacement parts!**

Additional questions can be directed to our Technical Services Department.

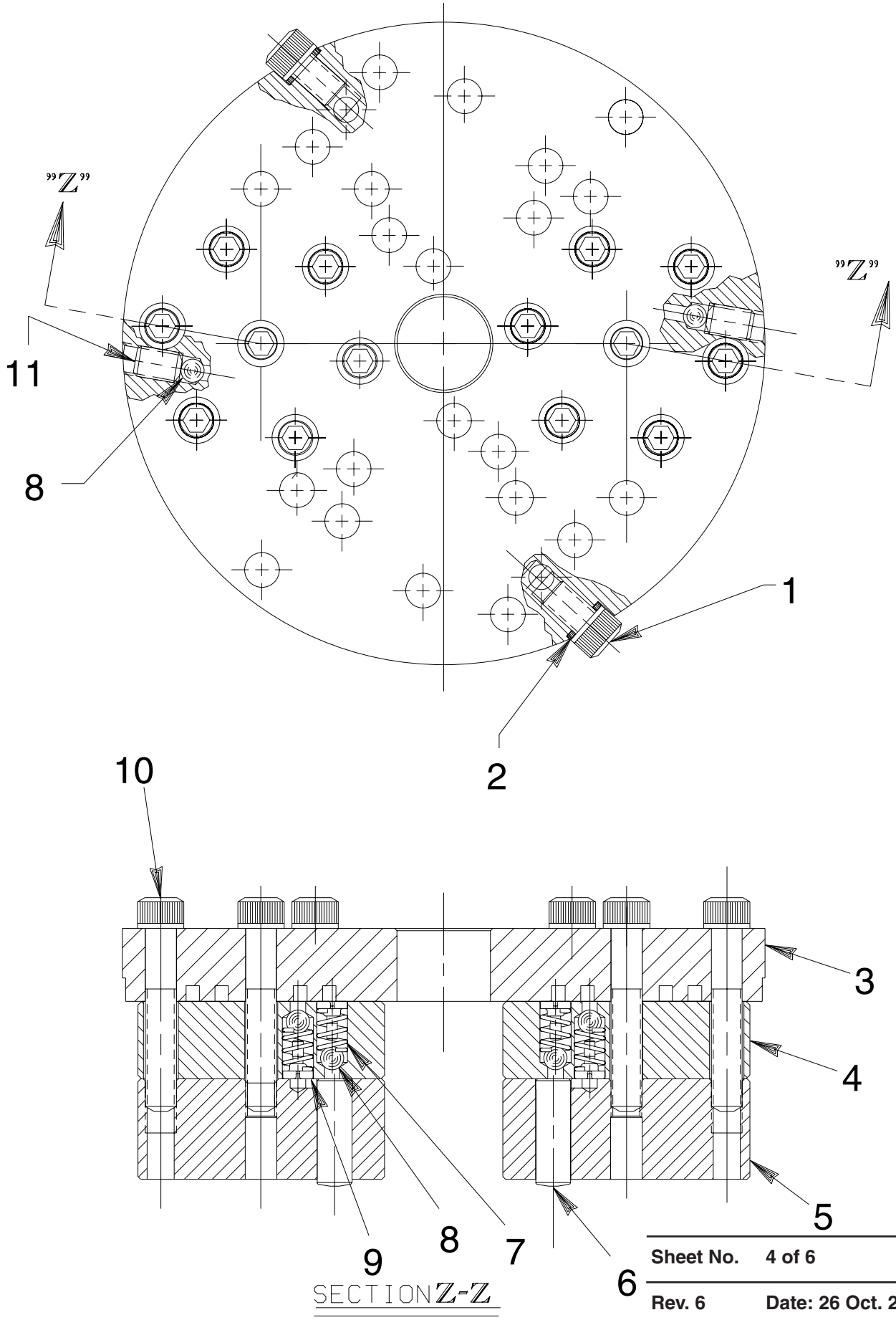
# BASIC PUMP ASSEMBLY



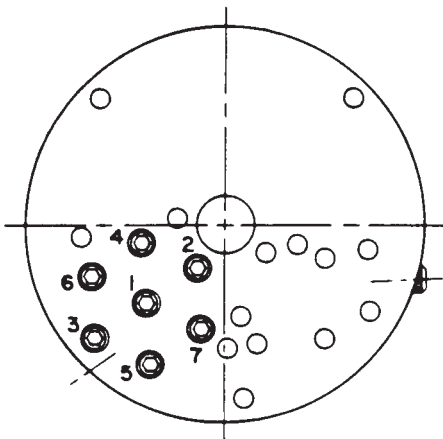
**Parts List, Form No. 101286, Back sheet 3 of 6**

<b>Item No.</b>	<b>Part No.</b>	<b>No. Req'd</b>	<b>Description</b>
1	10020	20	Cap Screw (1/4-20 UNC X 1-1/4 Lg.; Torque to 170/180 in. lbs.)
2	10267	2	O-ring (7/16 X 5/16 X 1/16)
3	11814	2	Ball Bearing
4	10266	2	O-ring (3/8 X 1/4 X 1/16)
5	10271	2	O-ring (11/16 X 1/2 X 3/32)
6	12389	2	Backup Washer (11/16 x 1/2 X 1/16)
7	10303	2	O-ring (7/8 X 3/4 X 1/16)
8	10425	4	Compression Spring (3/8 O.D. X 3/4 Lg.)
9	20771	4	Poppet
10	20849	2	Spool
11	10427	2	Pressure Plug (1/8 NPTF)
12	23255	2	Spring Guide
13	23256	2	Spring Guide
14	64060	1	Body
15	10426	2	CompressionSpring (1" O.D. X 1-13/16 Lg.)
16	64309	1	Pump End Plate
17	10001	18	Cap Screw (#10-32 UNF X 1-3/4 Lg.; Torque to 50/60 in. lbs.)
18	250851	2	Intake Tube (Note: Assemble short thread end into filter.)
19	11199	2	Needle Bearing
20	420430	1	Drive Gear
21	10390	1	Nut
22	11821	2	Woodruff Key
23	29682	2	Strainer
24	420429	2	Driver Gear
25	23556	2	Shaft
26	250631	4	Needle Bearing
27	11261	4	Retaining Ring
28	11955	2	Pin (1/4 Dia. X 1 3/4 Lg.)
29	11228	4	Thrust Bearing
30	11813	6	Bearing Race
31	10375	2	Steel Ball (1/4 dia.)
32	350603	2	Angle Plate
33	23548	2	Top Plate
34	23547	2	Bearing Top Plate
35	10361	2	Compression Spring (1/4 O.D. X 1" Lg.)

# PUMP BARREL ASSEMBLY



Item No.	Part No.	No. Req'd	Description
1	10002	2	Cap Screw (1/4-20 UNC X 3/8 Lg.; Torque to 140/160 in. lbs.)
2	10442	2	Washer (3/8 X 1/4 X 1/32)
3	64061	1	Top Plate
4	40630	2	Valve Head
5	40629	2	Barrel
6	20775	6	Piston
7	10445	12	Compression Spring (5/32 O.D. X 3/4 Lg.)
8	12223	14	Ball (3/16 Dia.)
9	24549	12	Spring Guide
10	10023	14	Cap Screw (1/4-28 UNF X 1-1/2 Lg.; Torque to 170/180 in. lbs. See diagram below)
11	10519	2	Set Screw (1/4-20 UNC X 3/8 Lg.; Torque to 65/70 in. lbs.)



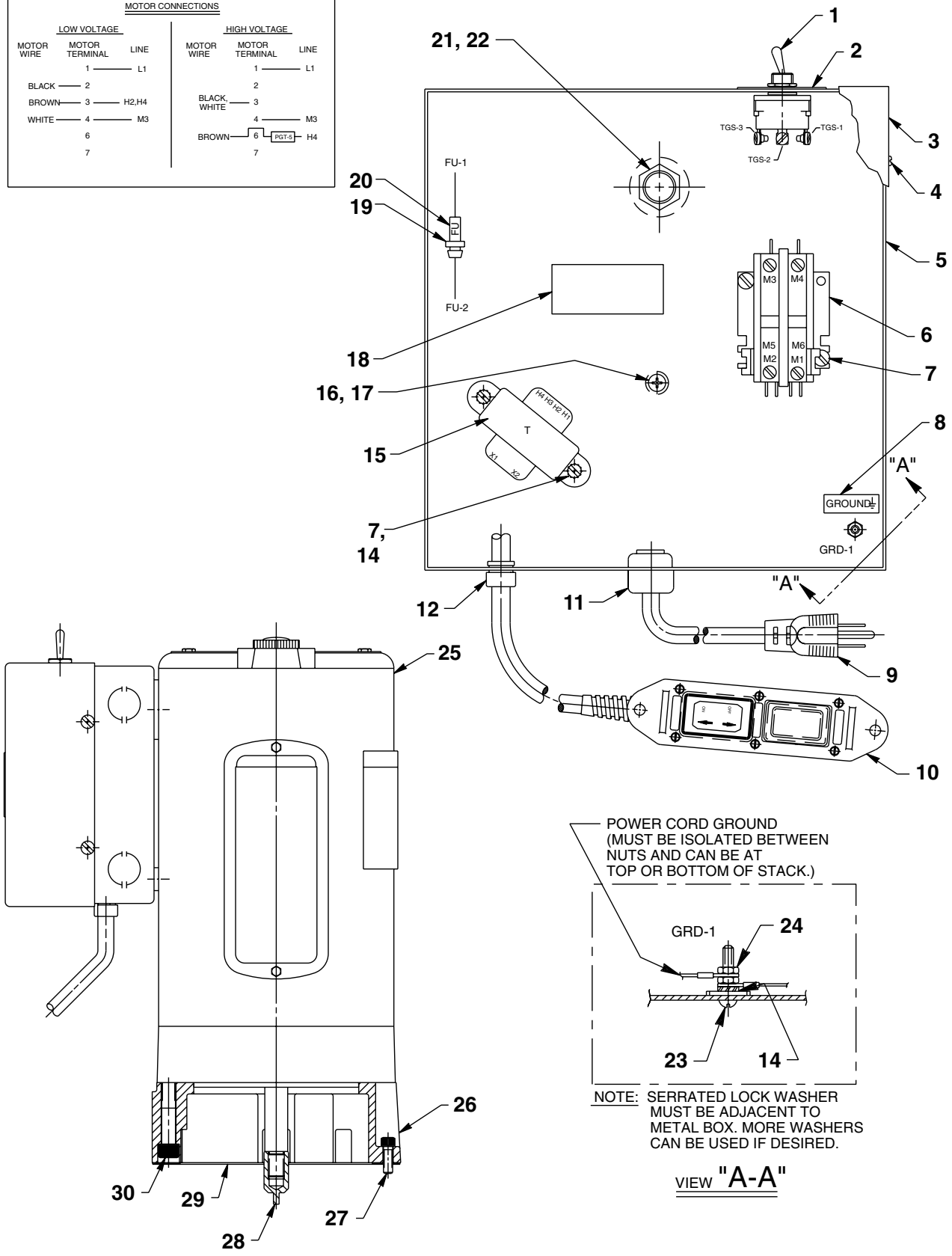
## BOLT TIGHTENING SEQUENCE

**NOTE: Assemble in sequence shown.  
Lubricate under head and on threads.  
Torque to 180 in. lbs.**

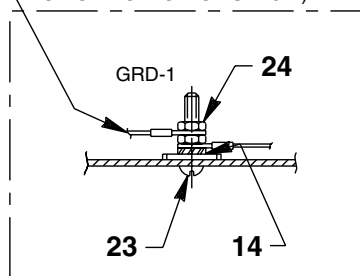


# MOTOR CONTROL ASSEMBLY FOR PED253 & PED254

MOTOR CONNECTIONS					
LOW VOLTAGE			HIGH VOLTAGE		
MOTOR WIRE	MOTOR TERMINAL	LINE	MOTOR WIRE	MOTOR TERMINAL	LINE
BLACK	2	L1	BLACK, WHITE	2	L1
BROWN	3	H2, H4	BLACK, WHITE	3	L1
WHITE	4	M3	BLACK, WHITE	4	M3
	6		BROWN	6	POT-3 H4
	7			7	



POWER CORD GROUND  
(MUST BE ISOLATED BETWEEN  
NUTS AND CAN BE AT  
TOP OR BOTTOM OF STACK.)



NOTE: SERRATED LOCK WASHER  
MUST BE ADJACENT TO  
METAL BOX. MORE WASHERS  
CAN BE USED IF DESIRED.

VIEW "A-A"

Item No.	Part No.	No. Req'd	Description
1	16617	1	Toggle Switch
2	25802	1	Indicator Plate
3	43126BK2	1	Control Box Cover
4	14812	4	Tap Screw (#8-18 X 3/8 Lg.)
5	51218BK2	1	Electrical Control Box
6	420718-4	1	Contacto (2-pole)
7	11539	4	Machine Screw (10-24 X 1/4 Lg.)
8	205189	1	Ground Decal
9	307440	1	Cord Set (115 V.; )
10	25017	1	Hand Switch (See Form No. 101644)
11	210112	1	Strain Relief Bushing
12	15993	1	Strain Relief Bushing
14	11108	3	Lockwasher (#10 External Tooth)
15	11852	1	Transformer
16	13532	1	Screw (#8-32 X 3/8 Lg.)
17	206857	1	Plain Washer (Special)
18	250150	1	Decal

Item No.	Part No.	No. Req'd	Description
19	206962	1	Fuse (3 amp)
20	16887	1	Fuse Holder
21	11202	1	Nipple
22	18286	1	Washer
23	11856	1	Machine Screw (#10-24 X 1" Lg.)
24	10197	2	Nut (#10-24 UNC)
25	10865	1	Electric Motor (1-1/2 HP)
26	40118BK2	1	Motor Base
27	10008	4	Cap Screw (1/4-20 UNC X 3/4 Lg.)
28	21274	1	Adapter
29	30650	1	Gasket
30	12866	4	Cap Screw (3/8-16 UNC X 2 1/4 Lg.)

**PARTS INCLUDED BUT NOT SHOWN**  
**200188** 1 Important & Warning Decal

## ELECTRICAL SCHEMATIC FOR PED253 & PED254 115 V., 60 Hz., Single Phase

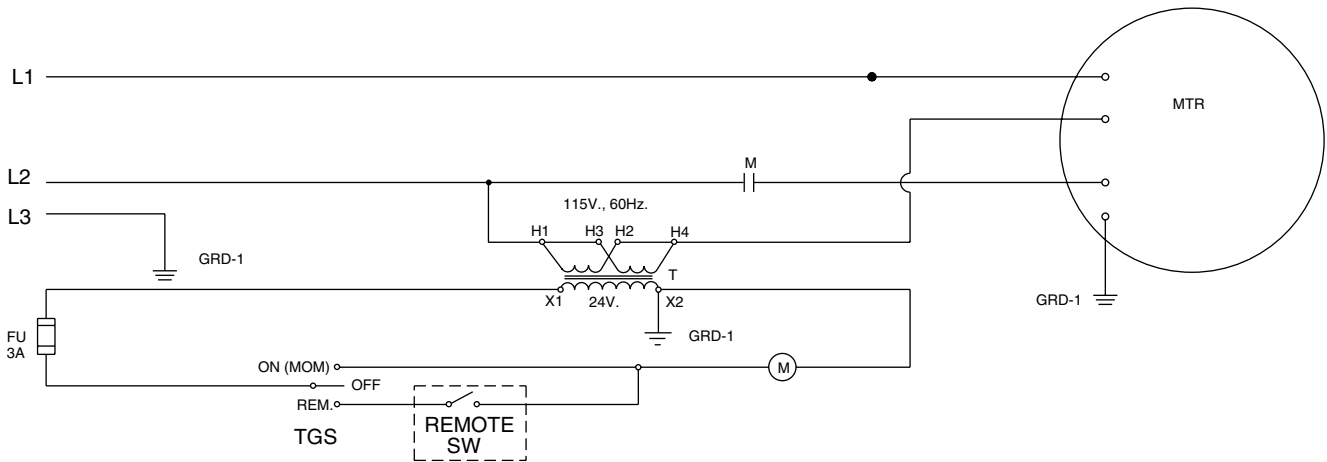


**WARNING**

To help avoid personal injury, all electrical work must be done by a qualified electrician.

### North American & International Color Codes

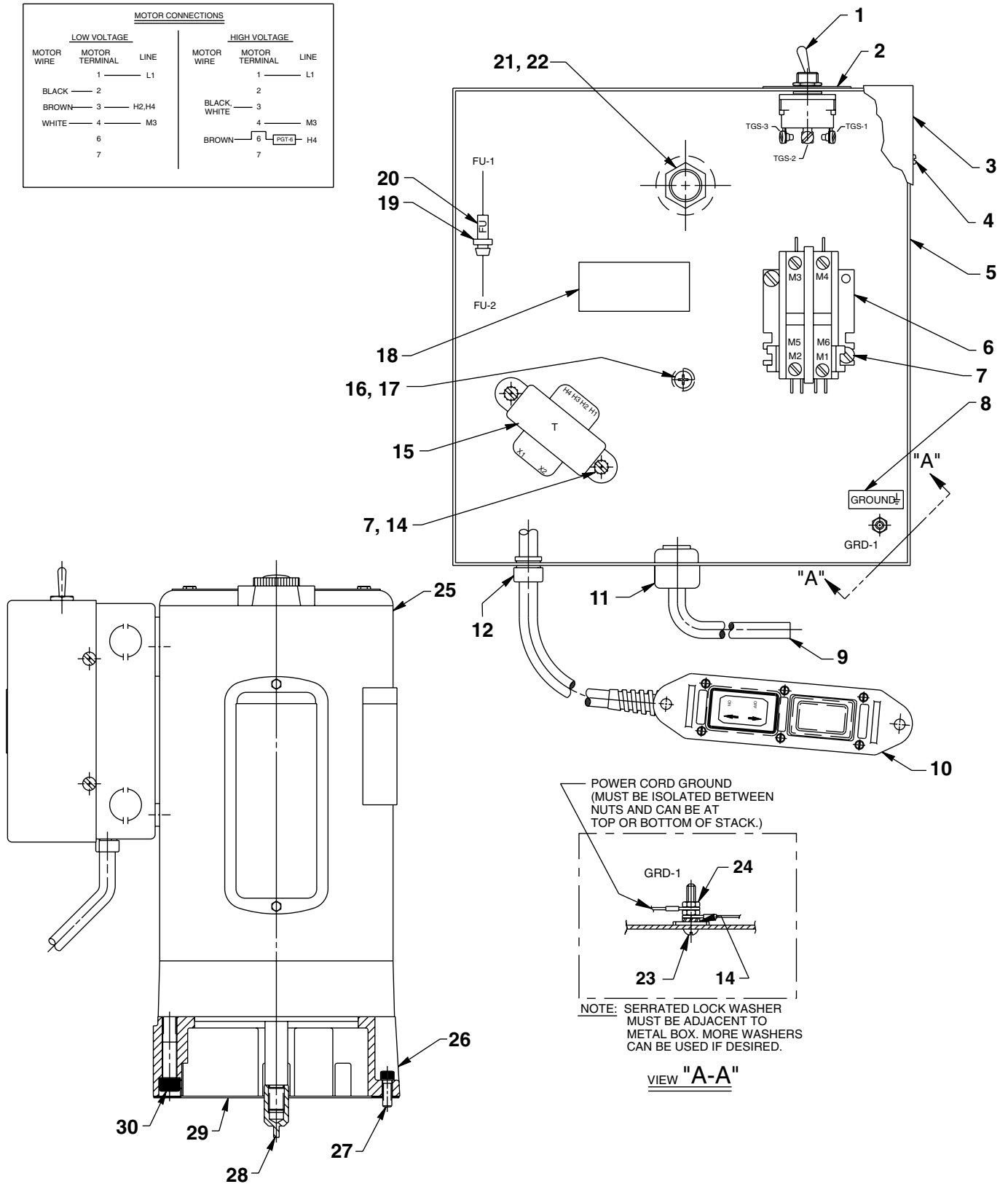
Conductors	North American	International
Line .....	Black.....	Brown
Neutral .....	White .....	Blue
Ground .....	Green .....	Green/Yellow



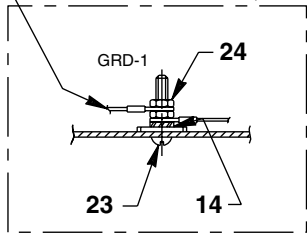
Note: Shaded areas reflect last revision(s) made to this form.

# MOTOR CONTROL ASSEMBLY FOR PED253-50-220 & PED254-50-220

MOTOR CONNECTIONS					
LOW VOLTAGE			HIGH VOLTAGE		
MOTOR WIRE	MOTOR TERMINAL	LINE	MOTOR WIRE	MOTOR TERMINAL	LINE
	1	L1		1	L1
BLACK	2			2	
BROWN	3	H2, H4	BLACK, WHITE	3	
WHITE	4	M3		4	M3
	6		BROWN	6	POT-6 H4
	7			7	



POWER CORD GROUND  
(MUST BE ISOLATED BETWEEN  
NUTS AND CAN BE AT  
TOP OR BOTTOM OF STACK.)



NOTE: SERRATED LOCK WASHER  
MUST BE ADJACENT TO  
METAL BOX. MORE WASHERS  
CAN BE USED IF DESIRED.

VIEW "A-A"

# Parts List, Form No. 101286, Back sheet 6 of 6

Item No.	Part No.	No. Req'd	Description
1	16617	1	Toggle Switch
2	25802	1	Indicator Plate
3	43126GY5	1	Control Box Cover
4	14812	4	Tap Screw (#8-18 X 3/8 Lg.)
5	51218GY5	1	Electrical Control Box
6	420718-4	1	Contactorm (2-pole)
7	11539	4	Machine Screw (10-24 X 1/4 Lg.)
8	205189	1	Ground Decal
9	307440	1	Cord Set (115 V.; For PED253 & PED254)
10	25017	1	Hand Switch (See Form No. 101644)
11	210112	1	Strain Relief Bushing
12	15993	1	Strain Relief Bushing
14	11108	3	Lockwasher (#10 External Tooth)
15	11852	1	Transformer
16	13532	1	Screw (#8-32 X 3/8 Lg.)
17	206857	1	Plain Washer (Special)
18	250150	1	Decal
19	206962	1	Fuse (3 amp)

Item No.	Part No.	No. Req'd	Description
20	16887	1	Fuse Holder
21	11202	1	Nipple
22	18286	1	Washer
23	11856	1	Machine Screw (#10-24 X 1" Lg.)
24	10197	2	Nut (#10-24 UNC)
25	10865	1	Electric Motor (1-1/2 HP; For PED253 & PED254)
26	40118BK2	1	Motor Base
27	10008	4	Cap Screw (1/4-20 UNC X 3/4 Lg.)
28	21274	1	Adapter
29	30650	1	Gasket
30	12866	4	Cap Screw (3/8-16 UNC X 2 1/4 Lg.)

**PARTS INCLUDED BUT NOT SHOWN**  
**200188** 1 Important & Warning Decal

## ELECTRICAL SCHEMATIC FOR PED253-50-220 & PED254-50-220 220 V., 50 Hz., Single Phase

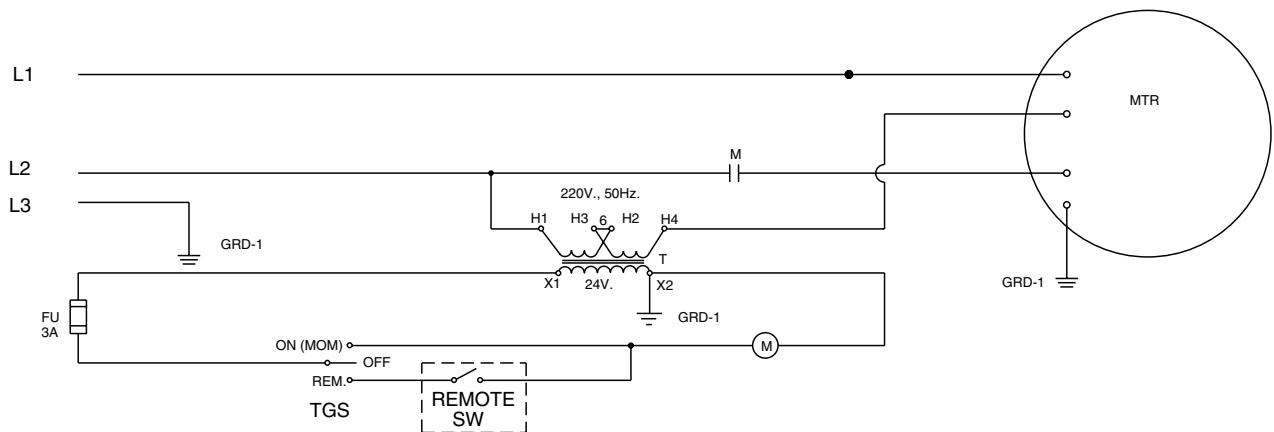


**WARNING**

To help avoid personal injury, all electrical work must be done by a qualified electrician.

### North American & International Color Codes

Conductors	North American	International
Line	Black	Brown
Neutral	White	Blue
Ground	Green	Green/Yellow



Note: Shaded areas reflect last revision(s) made to this form.