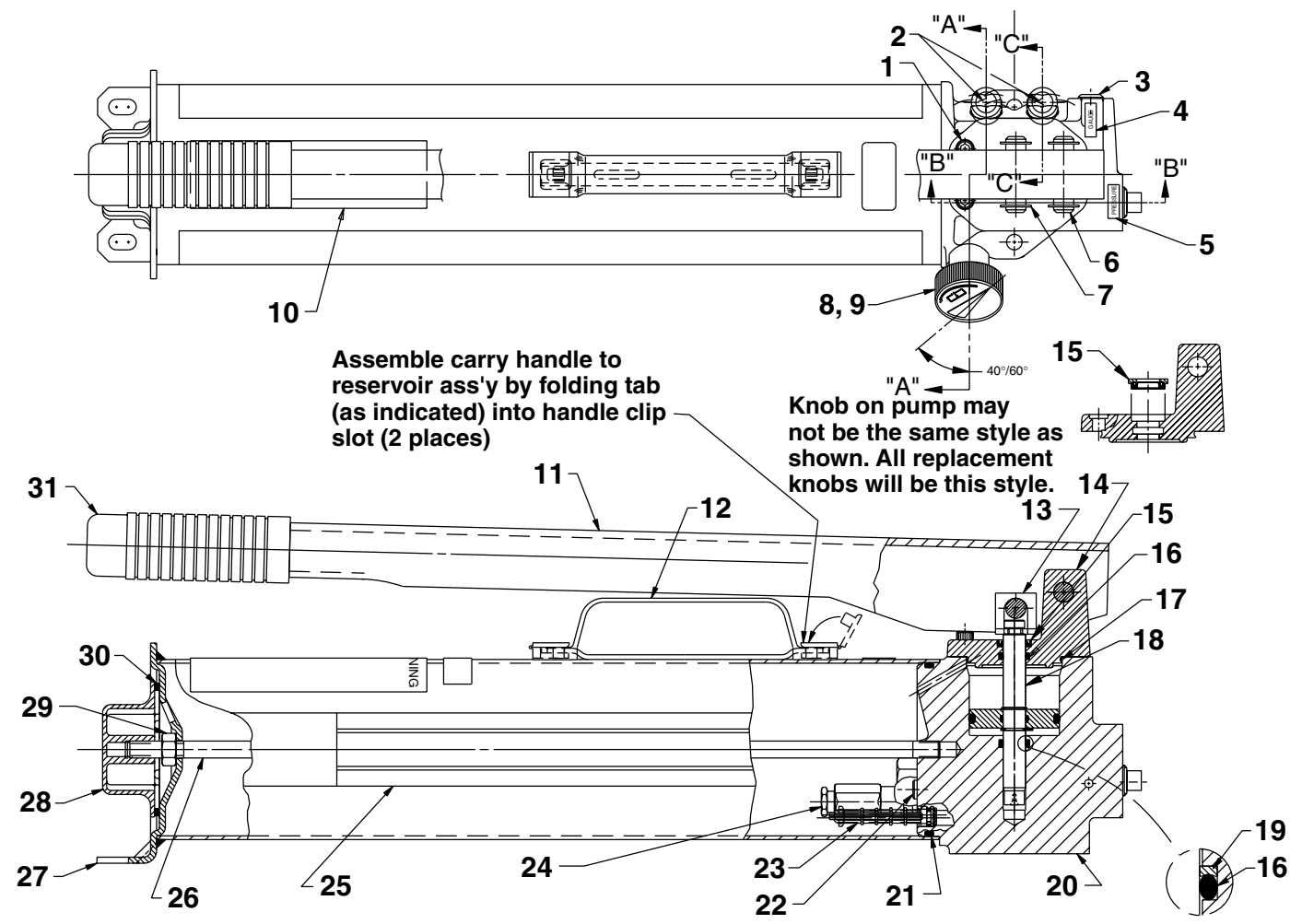


Parts List for:

61869	P157N	P159-PARKER
64662	P157V	P159-PFAFF
64663	P159	P159E
P157	P159-AW	P159N
P157-LUAM	P159-GRC	P159V
P157E	P159-LANCO	

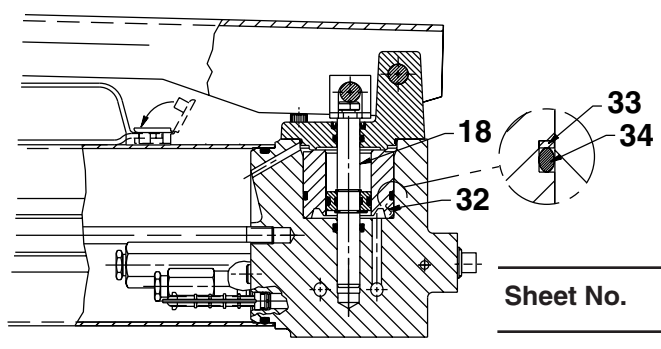
MODEL B TWO-STAGE HYDRAULIC HAND PUMP TWO-WAY VALVE



300 PSI UNLOADING VALVE

1000 & 1400 PSI UNLOADING VALVE

WARNING
To help prevent personal injury, all repairs **MUST** be performed by a qualified person trained in the repair of hydraulic equipment.



Parts List, Form No. 101403, Back sheet 1 of 2

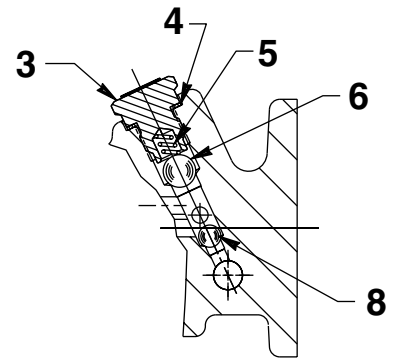
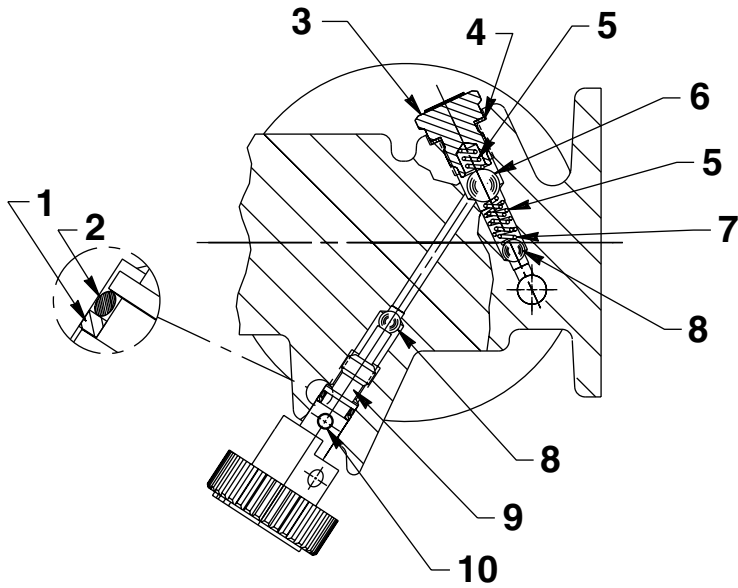
Item No.	Part No.	No. Req'd	Description	Item No.	Part No.	No. Req'd	Description
1	251564	4	Cap Screw (1/4-20 UNC x 3/4 Lg.)	25	308478	1	Trade Name Decal (For P157, P157E, P157N & P157V)
2	†*215907	2	Decal (DO NOT REMOVE)		308468	1	Trade Name Decal (For P159, P159E, P159N & P159V)
3	14972	1	Plug (1/4 NPTF)	26	211547	1	Tie Rod
4	215300	1	Decal (GAUGE)	27	58041	1	Reservoir (For all except P157-LUAM)
5	215301	1	Decal (PRESSURE)		58046	1	Reservoir (For P157-LUAM)
6	211742	2	Dowel Pin	28	52711	1	Reservoir Cap (Torque to 50/60 in. lbs.)
7	211743	4	Retaining Ring (For 7/16" shaft)	29	10204	1	Hex Nut (3/8-16 UNC; Torque to 150/170 in. lbs.)
8	351087	1	Knob	30	*212739	1	Fill Cap Gasket
9	10556	2	Set Screw (Torque to 50/70 in. lbs.)		†250731	1	Fill Cap Gasket
10	*305977	1	Warning Decal (For all except P159-PFAFF)		•250732	1	Fill Cap Gasket
11	61806OR9	1	Handle (For P157, P159-PARKER, P159, P159-LANCO & P159-GRC)	31	211769	1	Handle Grip (For all except P159-AW, 64663 & 64662)
	61806BL2	1	Handle (For 61869)		206731	1	Handle Grip (For 61871 & 61872)
	61806GY6	1	Handle (For P159-PFAFF)	32	308486	1	Adapter (For P157, P157-LUAM, P157E, P157N, P157V, 64662 & 64663)
	61806YE3	1	Handle (For P157-LUAM)				
	47417	1	Handle Assembly (For 64662, 64663 & P159-AW)	33	*†19137	1	O-ring Backup Washer (2" x 1-13/16 x 3/64; For P157, P157-LUAM, P157E, P157N, P157V, 64662 & 64663)
12	58048	1	Carry Handle				
13	350923	1	Piston Clip	34	*10913	1	O-ring (2" x 1-13/16 x 3/32; For P157, P157-LUAM, P157N, 64662 & 64663)
14	58485WH2	1	Pump Body Cap (Iron)		•14287	1	O-ring (For P157E)
15	*15092	1	Rod Wiper	PARTS INCLUDED BUT NOT SHOWN 10029 4 Cap Screw (5/16-18 UNC x 3/4 Lg.; For 64662 & 64663) 10474 1 Fitting (For 64662) 36890 1 Hose Assembly (For 64662) 16277 1 Trade Name Decal (For P159-GRC) †205724 1 Decal (Viton seals) •250328 1 Decal (EPR seals) 251943 1 Decal (For P159-PFAFF)			
	†19321	1	Rod Wiper				
	•250841	1	Rod Wiper				
16	*10271	2	O-ring (11/16 x 1/2 x 3/32)				
	†11445	2	O-ring (11/16 x 1/2 x 3/32)				
	•19406	2	O-ring (11/16 x 1/2 x 3/32)				
17	*251603	1	O-ring (2-1/8 X 2" X 1/16)				
	†18985	1	O-ring (2-1/8 X 2" X 1/16)				
	•251604	1	O-ring (2-1/8 X 2" X 1/16)				
18	251336	1	Piston Ass'y (Nitrile) } For P157				
	251514	1	Piston Ass'y (Viton) } Series, 64662 & 64663				
	251515	1	Piston Ass'y (EPR) } 64663				
	251377	1	Piston Ass'y (Nitrile) } For P159				
	251516	1	Piston Ass'y (Viton) } Series & 61869				
	251517	1	Piston Ass'y (EPR) }				
19	*†213987	1	O-ring Backup Washer				
20	64597	1	Pump Body				
21	*214693	1	O-ring (3-7/8 x 3-5/8 x 1/8)				
	†19048	1	O-ring (3-7/8 x 3-5/8 x 1/8)				
	•214072	1	O-ring (3-7/8 x 3-5/8 x 1/8)				
22	10427	1	Plug (1/8 NPTF)				
23	*215075	1	Filter Plug				
24	21278	1	High Pressure Relief Valve (Set at 10,100/10,700 PSI; P157, P159, P159-AW, P159-GRC, P159-LANCO, P159-PFAFF, 64663)				
	21278-75	1	High Pressure Relief Valve (Set at 7,600/8,200 PSI; For 61869)				
	21278-86	1	High Pressure Relief Valve (Set at 8,700/9,300 PSI; For 64662)				
	21278-105	1	High Pressure Relief Valve (Set at 10,600/11,100 PSI; For P157-LUAM)				

Part numbers marked with an asterisk (*) are contained in Standard Repair Kit No. 300689.

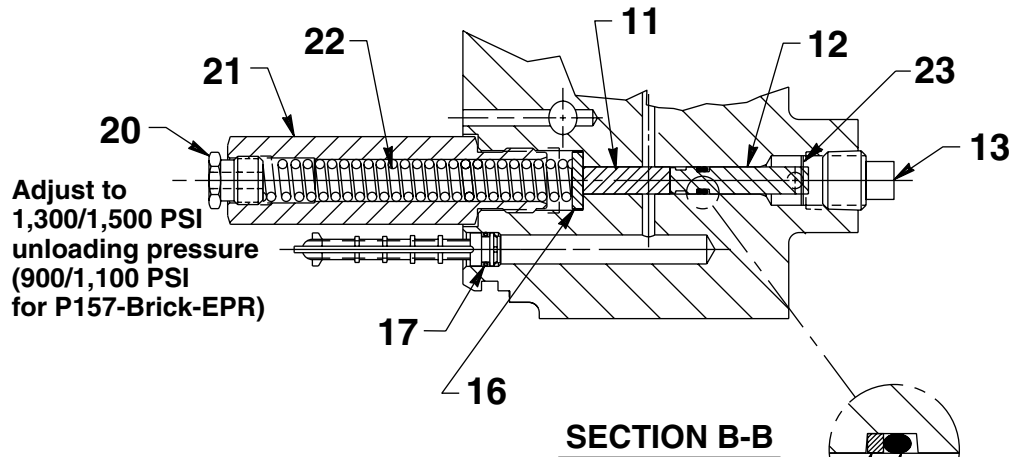
Part numbers marked with a dagger (†) are contained in Viton Seal Kit No. 300690.

Part numbers marked with a bullet (•) are contained in EPR Seal Kit No. 300691.

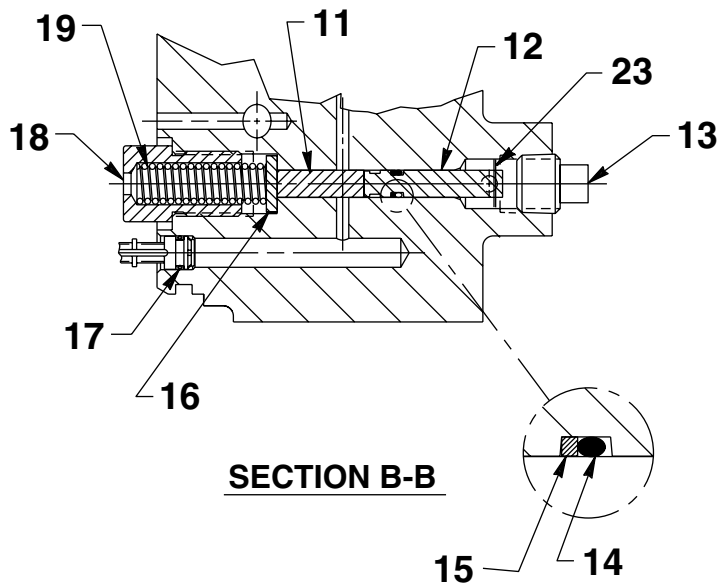
SECTION VIEWS



1000 & 1400 PSI UNLOADING VALVE



300 PSI UNLOADING VALVE



Parts List, Form No. 101403, Back sheet 2 of 2

Item No.	Part No.	No. Req'd	Description
1	*†•15085	1	O-ring Backup Washer (7/16 x 5/16 x 3/64)
2	*10267	1	O-ring (7/16 x 5/16 x 1/16)
	†18974	1	O-ring
	•13472	1	O-ring
3	305975	2	Valve Screw (Torque to 350/370 in. lbs.)
4	*14874	2	Copper Washer (.700 x 1/2 x 1/32 thk.)
5	*10444	3	Compression Spring (3/16 I.D. x 13/32 Lg.)
6	*10378	2	Steel Ball (3/8 Dia.)
7	*211797	1	Compression Spring (5/32 O.D. x 5/8 Lg.)
8	*10375	3	Steel Ball (1/4 dia.)
9	350185	1	Release Valve Screw
10	15528	1	Nylon Ball (Note: Push in nylon ball until it bottoms out in hole. Permissible to flatten ball during installation.)
11	14588	1	Dowel Pin
12	252275	1	Unloading Valve Piston Kit (Includes #252273 retaining ring [Item # 23] and unloading valve piston)
13	11127	1	Plug (3/8 NPTF)
14	*10265	1	O-ring (5/16 x 3/16 x 3/64)
	†11437	1	O-ring
	•17714	1	O-ring
15	*†•15174	1	O-ring Backup Washer (5/16 x 3/16 x 3/64)
16	214692	1	Unloading Valve Washer
17	*12557	1	O-ring (11/32 x 7/32 x 1/16)
	†18973	1	O-ring
	•215375	1	O-ring
18	308430	1	Spring Retainer (For P159, P159-AW, P159-GRC, P159-LANCO, P159-PARKER, P159-PFAFF & P159E)
19	214694	1	Compression Spring (For P159, P159-AW, P159-GRC, P159-LANCO, P159-PARKER, P159-PFAFF, P159E, P159V, P159N, 61869)
20	305912	1	Valve Adjusting Screw (For P157, P157-LUAM, P157E, P157N, P157V, 64662 & 64663)
21	308488	1	Spring Retainer (For P157, P157-LUAM, P157E, P157N, P157V, 64662 & 64663)
22	214808	1	Compression Spring (15/32 O.D. x 4-7/16 Lg.; For P157, P157-LUAM, P157E, P157N, P157V, 64662 & 64663)
23	252273	1	Retaining Ring (Included in Item #12)

Part numbers marked with an asterisk (*) are contained in Standard Repair Kit No. 300689.

Part numbers marked with a dagger (†) are contained in Viton Seal Kit No. 300690.

Part numbers marked with a bullet (•) are contained in EPR Seal Kit No. 300691.

Refer to any operating instructions included with this product for detailed information about operation, testing, disassembly, reassembly, and preventive maintenance.

Items found in this parts list have been carefully tested and selected. **Therefore: Use only genuine Power Team replacement parts!**

Additional questions can be directed to our Technical Services Department.

Note: Shaded areas reflect last revision(s) made to this form.