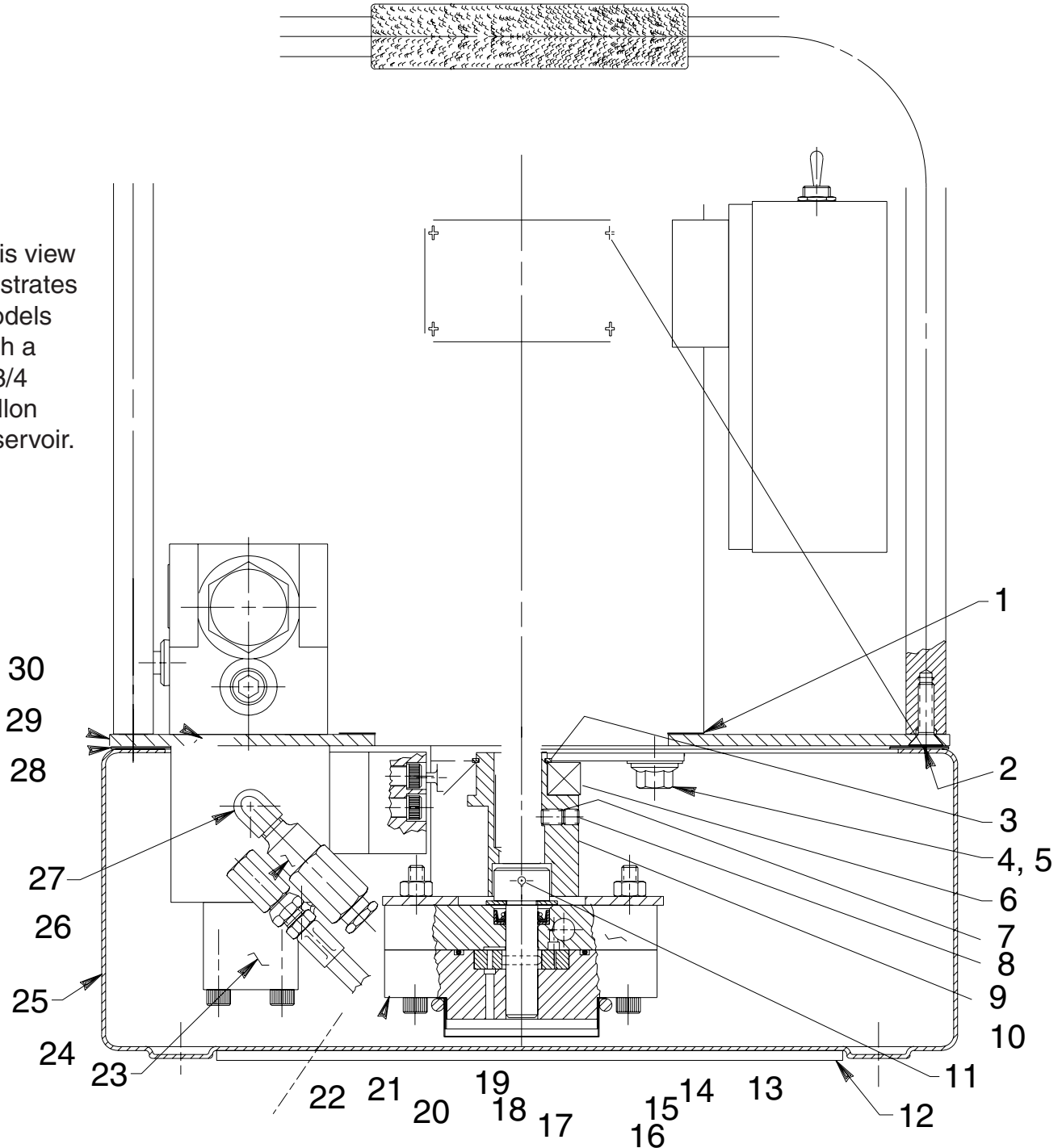


Parts List for:

PE302A
PE302A-2
PE302A-220
PE302A-2-220

ELECTRIC HYDRAULIC PUMP
Max. Capacity: 10,000 PSI

This view illustrates models with a 1-3/4 gallon reservoir.



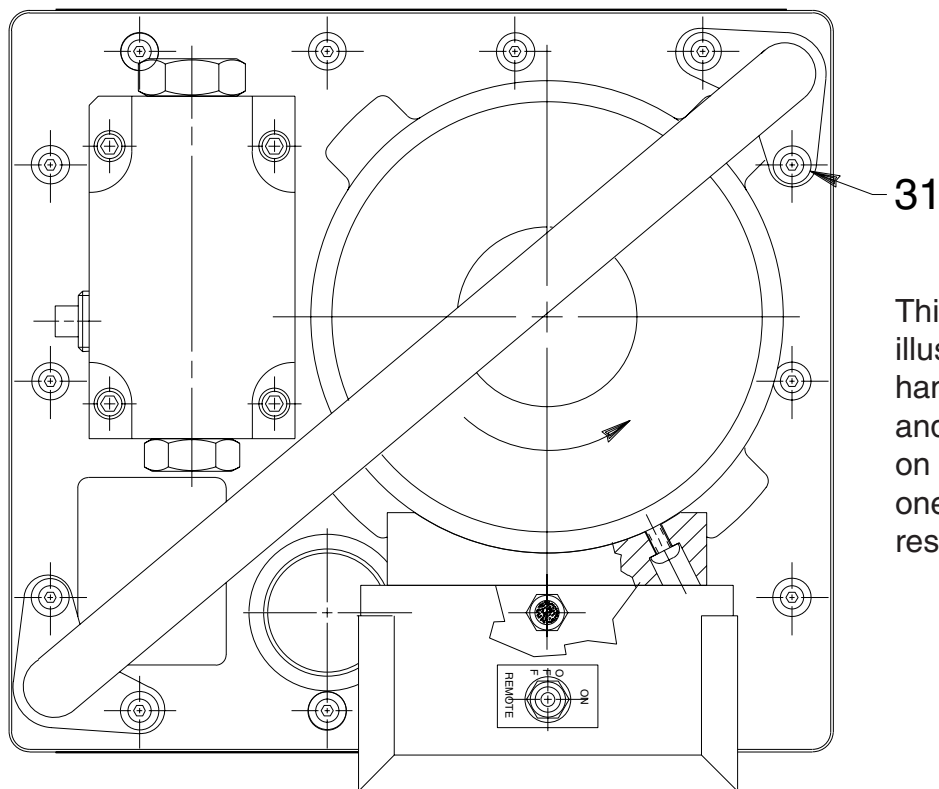
○ $-.001$ Clearance Required
 $.010$

Sheet No. 1 of 5

Rev. 3

Date: 11 June 1998

Parts List, Form No. 101443, Back sheet 1 of 5



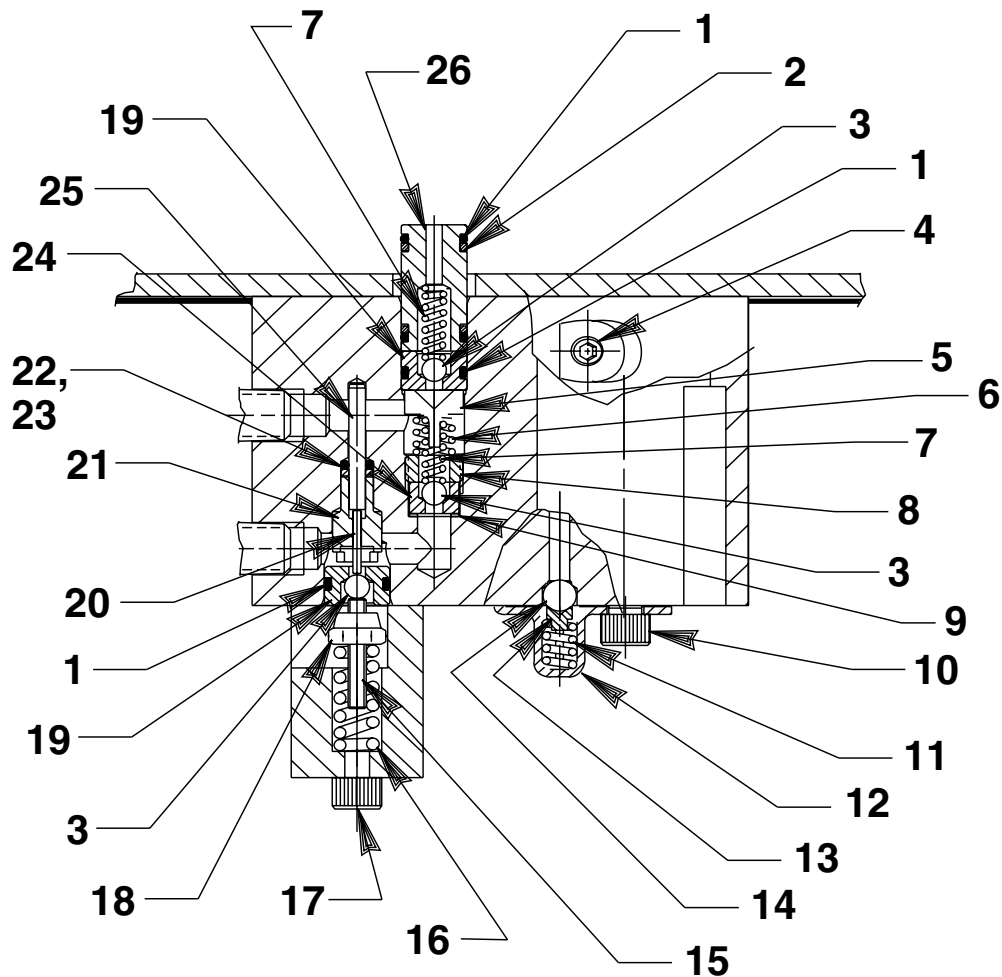
This view illustrates the handle orientation, and its mounting, on models with a one gallon reservoir.

Item No.	Part No.	No. Req'd	Description
1	351060	1	Motor Base Gasket
2	11529	4	Cap Screw (1/4-20 UNC x 3/4 Lg.; Apply Loctite No. 242 or equiv. and torque to 70 in. lbs. - For PE302A-2 & PE302A-2-220)
3	209798	1	Retaining Ring
4	213663	4	Cap Screw (3/8-16 UNC X 1" Lg.)
5	10258	4	Washer (For 3/8 bolt)
6	209805	1	Ball Bearing
7	10136	1	Set Screw (1/4-20 UNC x 1/4 Lg.; Torque to 70 in. lbs.)
8	10519	1	Set Screw (1/4-20 UNC X 3/8 Lg.; Torque to 70 in. lbs.)
9	420840	1	Eccentric
10	10199	2	Hex Nut (1/4-20 UNC)
11	12298	1	Roll Pin (3/16 dia. x 1-1/2" Lg.)
12	420427	1	Rubber Pad (For PE302A-2 & PE302A-2-220)
	420948	1	Rubber Pad (For PE302A & PE302A-220)
13	64623	1	Upper Gerotor Housing
14	10922	1	O-ring (2-1/8" X 1-15/16" X 3/32)
15	304826	1	Gerotor
16	209794	1	Gerotor Drive Pin
17	350940	1	Gerotor Shaft
18	21846	1	Filter Support
19	304830	1	Oil Seal

Item No.	Part No.	No. Req'd	Description
20	12595	1	Washer (1-1/8" X 1/2 X .077 Thk.)
21	10022	4	Screw (1/4-20 UNC X 1-1/2" Lg.; Torque to 190 in. lbs.)
22	64580	1	Gerotor Housing
23	350930	1	Retaining Block
24	21278	1	Relief Valve Assembly (Set at 10,100/10,700 PSI)
25	64665OR9	1	Reservoir (1 Gal. - For PE302A & PE302A-220)
	64241OR9	1	Reservoir (2 Gal. - For PE302A-2 & PE302A-2-220)
26	64612	1	Check Body
27	13229	1	Street Elbow
28	420931	1	Reservoir Gasket (For PE302A & PE302A-220)
	420424	1	Reservoir Gasket (For PE302A-2 & PE302A-220)
29	64666BK2	1	Cover Plate (For PE302A PE302A-220)
	64579BK2	1	Cover Plate (For PE302A-2 & PE302-2-220)
30	11529	2	Screw (1/4-20 UNC x 3/4 Lg.)
31	15911	4	Cap Screw (1/4-20 5/8 Lg.; (Torque to 60/80 in. lbs. - For PE302A & PE302A-220)

Note: Shaded areas reflect last revision(s) made to this form.

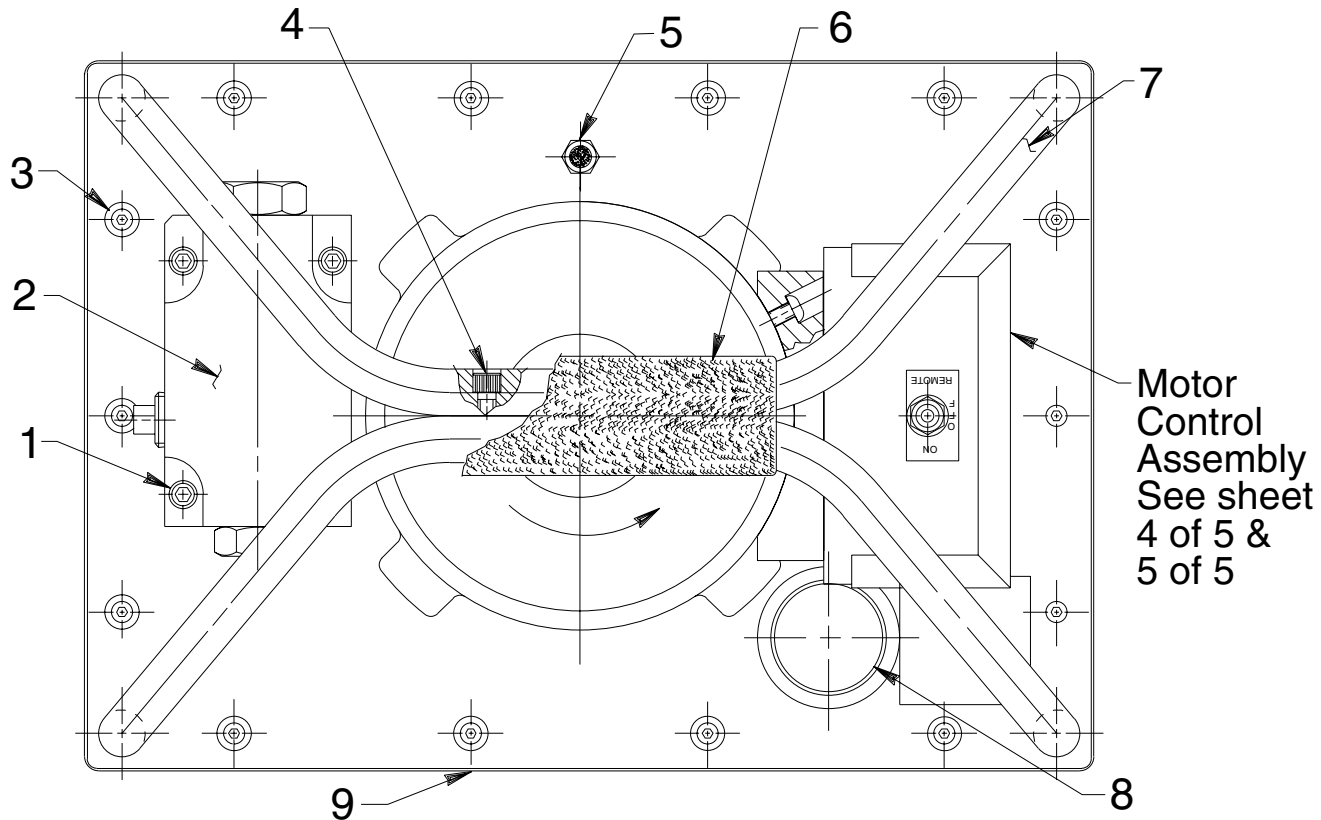
HIGH PRESSURE PUMP ASSEMBLY



Item No.	Part No.	No. Req'd	Description
1	10268	4	O-ring (1/2 X 3/8 X 1/16)
2	11863	2	Backup Washer (1/2 X 3/8 X 1/16)
3	12223	4	Ball (3/16 Dia.)
4	15130	1	Plug (1/16 NPTF)
5	251601	1	Outlet Ball Stop
6	10444	1	Compression Spring (3/16 I.D. X 13/32 Lg.)
7	10445	1	Compression Spring (5/32 O.D. X 3/4 Lg.)
8	209797	1	Hollow Lock Screw (7/16-20 UNF-3A; Torque to 110/130 in. lbs.)
9	10442	1	Washer (3/8 X 1/4 X 1/32)
10	10002	1	Cap Screw (1/4-20 UNC X 3/8 Lg.; Torque to 60/80 in. lbs.)
11	15691	1	Compression Spring (1/4 O.D. X 5/8 Lg.)

Item No.	Part No.	No. Req'd	Description
12	350577	1	Spring Retainer
13	200796	1	Adapter
14	10374	1	Steel Ball (7/32 Dia.)
15	251067	1	Set Screw (Unloading valve; #10-24 UNC x 1" Lg.)
16	14484	1	Compression Spring (3/8 O.D. X 1" Lg.)
17	10854	2	Cap Screw (1/4-20 UNC X 1-3/4" Lg.; Torque to 60/80 in. lbs.)
18	207405	1	Locknut (10-24 UNC)
19	251065	2	Replaceable Seat
20	251611	1	Dowel Pin (5/8 X 1/2 Lg.)
21	251068	1	Guide
22	17797	1	O-ring (1/4 X 1/8 X 1/16)
23	214992	1	Backup Ring (15/64 x 1/8 x 3/64)
24	209787	1	Replaceable Seat
25	16471	1	Dowel Pin (1/8 dia. x 1" Lg.)
26	251581	1	Bushing

TOP VIEW



Item No.	Part No.	No. Req'd	Description
1	10890	4	Cap Screw (1/4-20 X 2" Lg.)
2	9610	1	Automatic Valve Assembly (See Form No. 101200)
3	15911	14	Cap Screw (1/4-20 X 5/8 Lg.; Torque to 60/80 in. lbs. Note: On models with a one gallon reservoir, four of these mount the handle also [see back sheet 1 of 5].)
4	10008	2	Cap Screw (For PE302A-2 & PE302A-2-220 only)
5	251599	1	Breather Filter Vent
6	251600	1	Handle Grip (For PE302A-2 & PE302-2-220 only)
7	64677BK2	1	Handle (For PE302A & PE302A-220)
	64582BK2	1	Roll Cage Frame (For PE302A-2 & PE302A-2-220)
8	350925	1	Filler Cap
9	309219	2	Trade Name Decal (For PE302A & PE302A-220)
	309221	2	Trade Name Decal (For PE302A-2 & PE302-2-220)

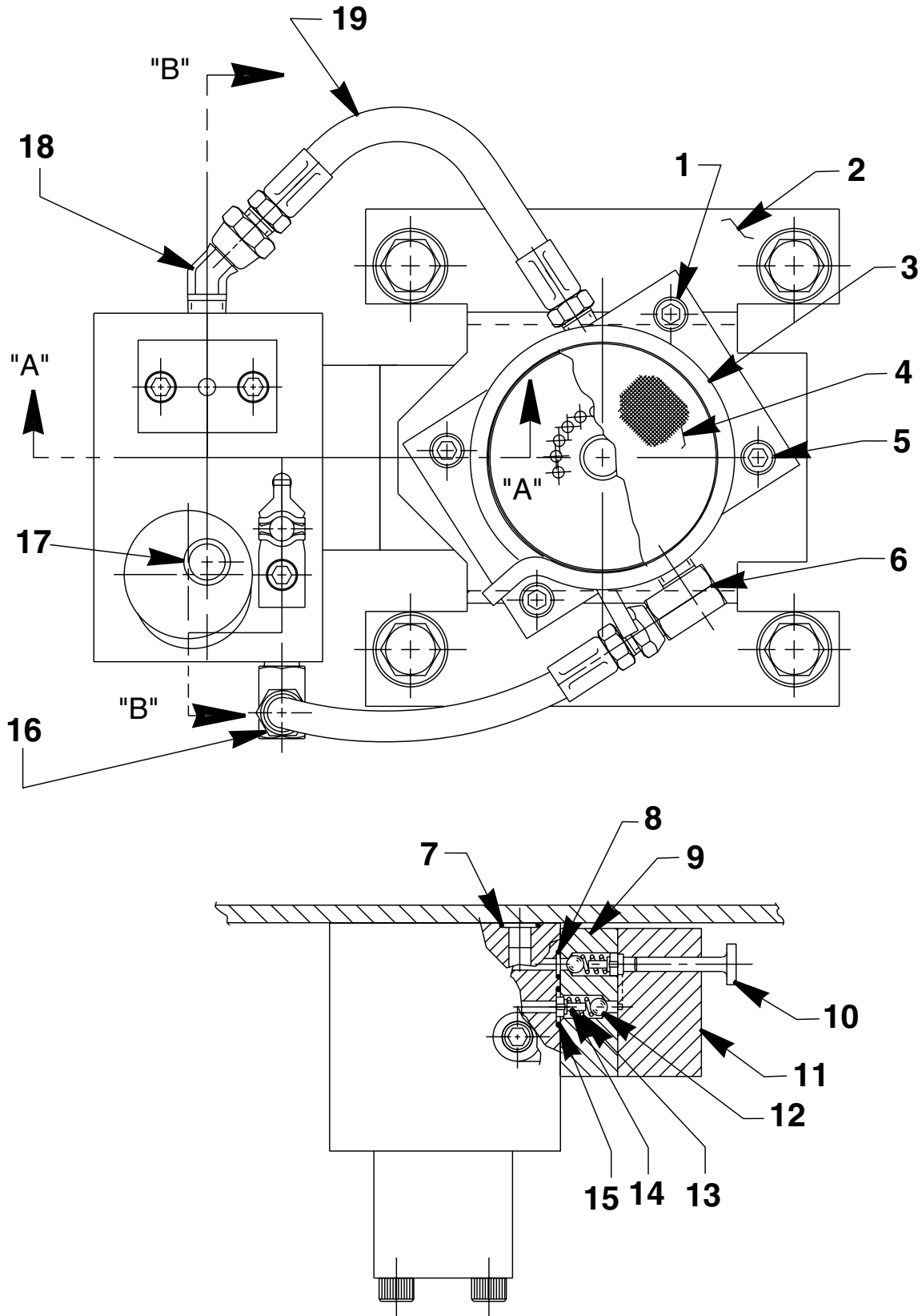
Refer to any operating instructions included with this product for detailed information about operation, testing, disassembly, reassembly, and preventive maintenance.

Items found in this parts list have been carefully tested and selected. **Therefore: Use only genuine Power Team replacement parts!**

Additional questions can be directed to our Technical Services Department.

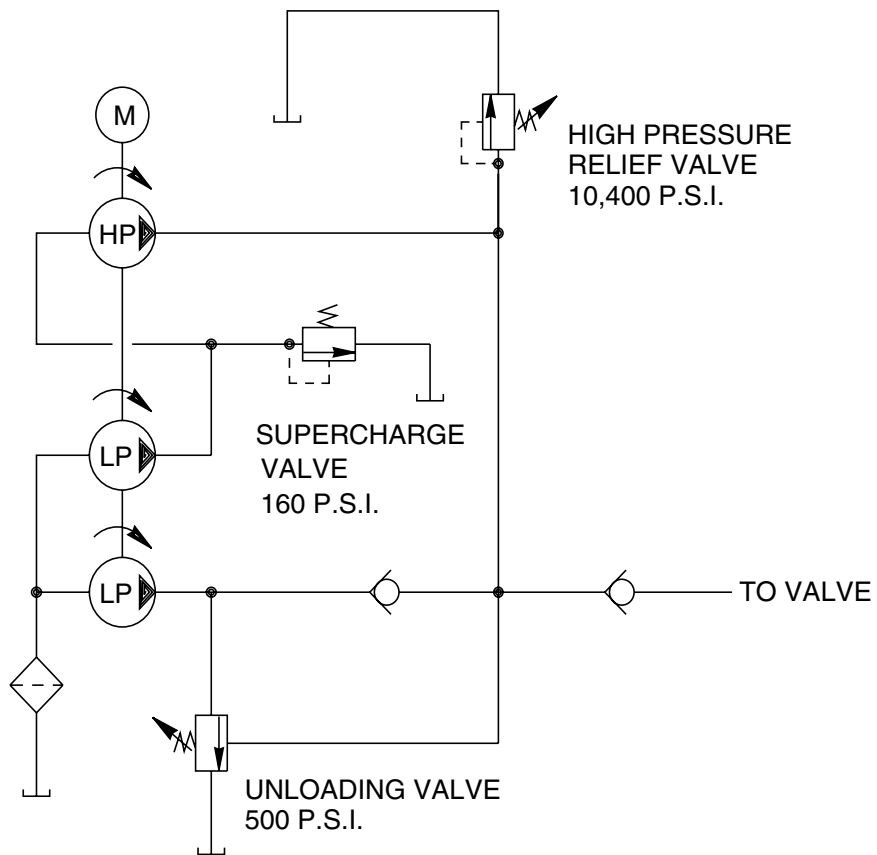
Note: Shaded areas reflect last revision(s) made to this form.

BOTTOM VIEW AND SECTION A-A



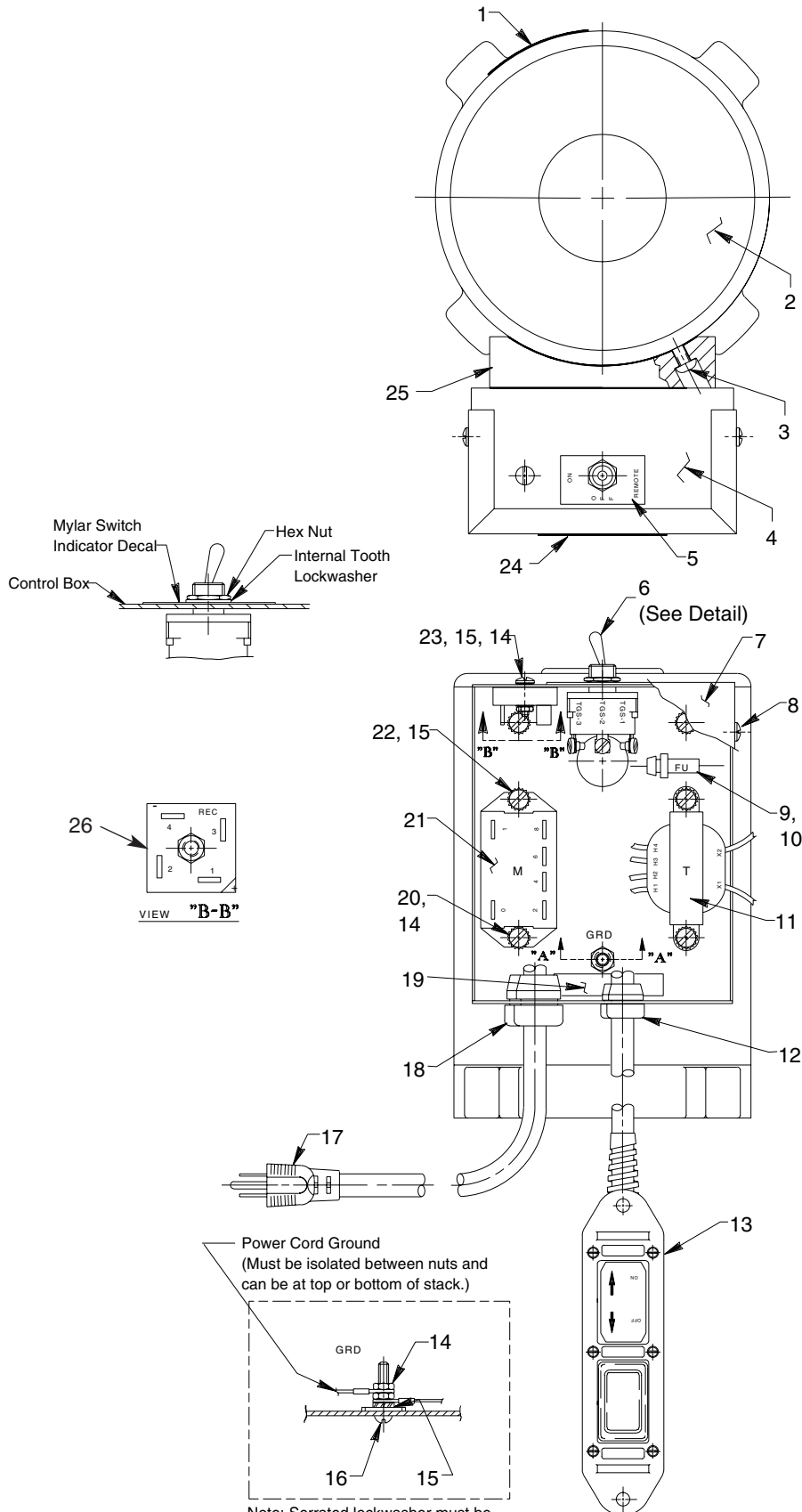
Item No.	Part No.	No. Req'd	Description	Item No.	Part No.	No. Req'd	Description
1	10022	2	Cap Screw (1/4-20 UNC X 1-1/2" Lg.; Torque to 60/80 in. lbs.)	11	45866	1	Block
2	58481	1	Gerotor Housing Bracket	12	12223	1	Ball (3/16 Dia.)
3	11461	1	Hose Clamp	13	10445	2	Compression Spring (5/32 O.D. X 3/4 Lg.)
4	21608	1	Filter	14	24549	2	Ball Guide
5	10890	2	Cap Screw (1/4-20 UNC X 2" Lg.; Torque to 60/80 in. lbs.)	15	14763	1	O-ring (7/16 X 5/16 X 1/16)
6	14440	1	90° Elbow Fitting	16	13229	1	Elbow
7	15279	1	O-ring (1/2 X 3/8 X 1/16)	17	250630	1	Drain Tube
8	10265	1	O-ring (5/16 X 3/16 X 1/16)	18	251800	1	Elbow Fitting
9	45559	1	Block	19	304819	2	Hose Assembly
10	305526	1	High Pressure Piston				

HYDRAULIC SCHEMATIC



MOTOR & CONTROL ASSEMBLY

110/115 V., 50/60 Hz.



Parts List, Form No. 101443, Back sheet 4 of 5

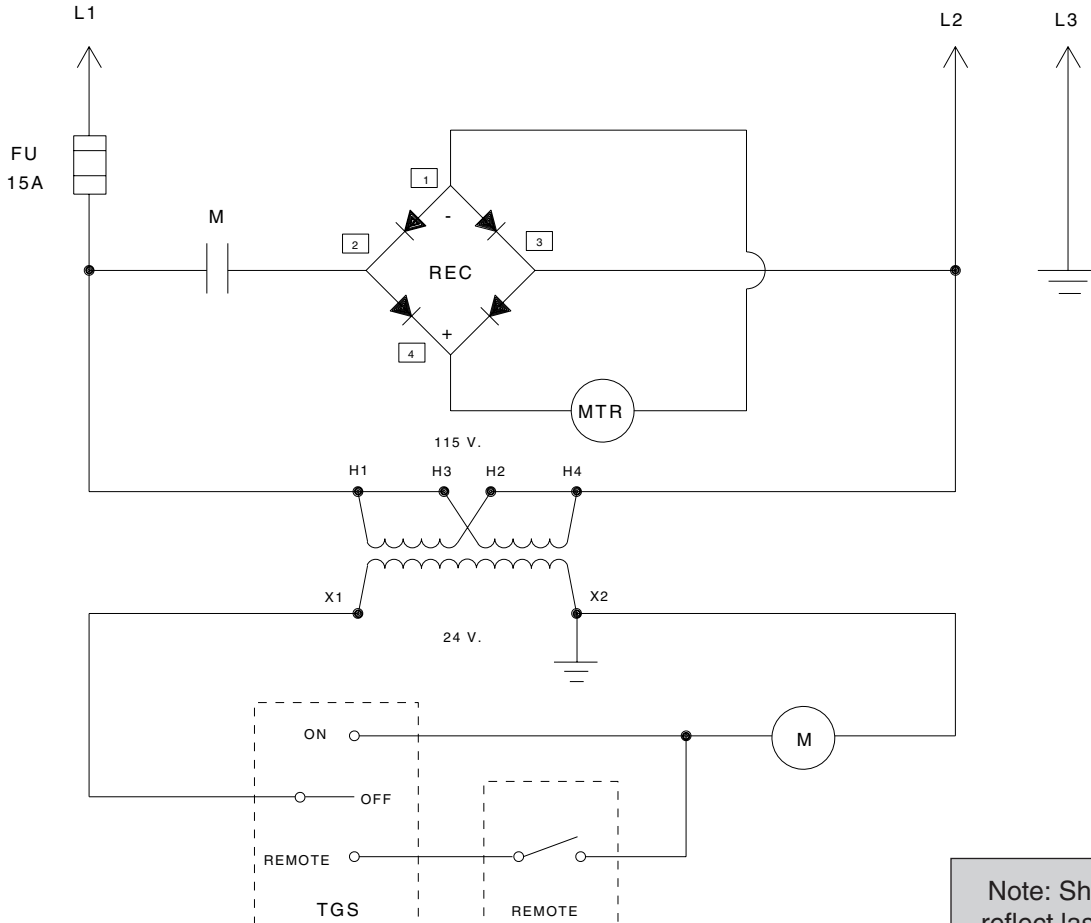
Item No.	Part No.	No. Req'd	Description	Item No.	Part No.	No. Req'd	Description
1	351024	1	Decal	15	11108	8	Lockwasher (#10 External Tooth)
2	*420838BK2	1	Electric Motor (115 V.)	16	11856	1	Machine Screw (#10-24 X 1" Lg.)
3	12316	2	Screw	17	25229	1	Cord Set (115 V.)
4	58558BK2	1	Electrical Control Box	18	210112	1	Strain Relief Bushing
5	25802	1	Indicator Plate	19	205189	1	Ground Decal
6	12665	1	Toggle Switch	20	10164	2	Slotted Screw (#10-24 UNC X 3/8 Lg.)
7	42576BK2	1	Control Box Cover	21	251638	1	Relay
8	11141	4	Tap Screw (#6-20 X 3/8 Lg.)	22	12909	4	Machine Screw
9	252288	1	Fuse (15 AMP)	23	10167	1	Machine Screw (#10-24 UNC X 3/4 Lg.)
10	16887	1	Fuse Holder	24	200188	1	Decal
11	251049	1	Transformer	25	420962	1	Mounting Adapter
12	15993	1	Strain Relief Bushing	26	251050	1	Rectifier
13	25017	1	Hand Switch Assembly (See Form No. 101644)				
14	10197	3	Nut (#10-24 UNC)				

* Note: For replacement brushes, order(2) #252958.

ELECTRIC SCHEMATIC 110/115 V., 50/60 Hz.



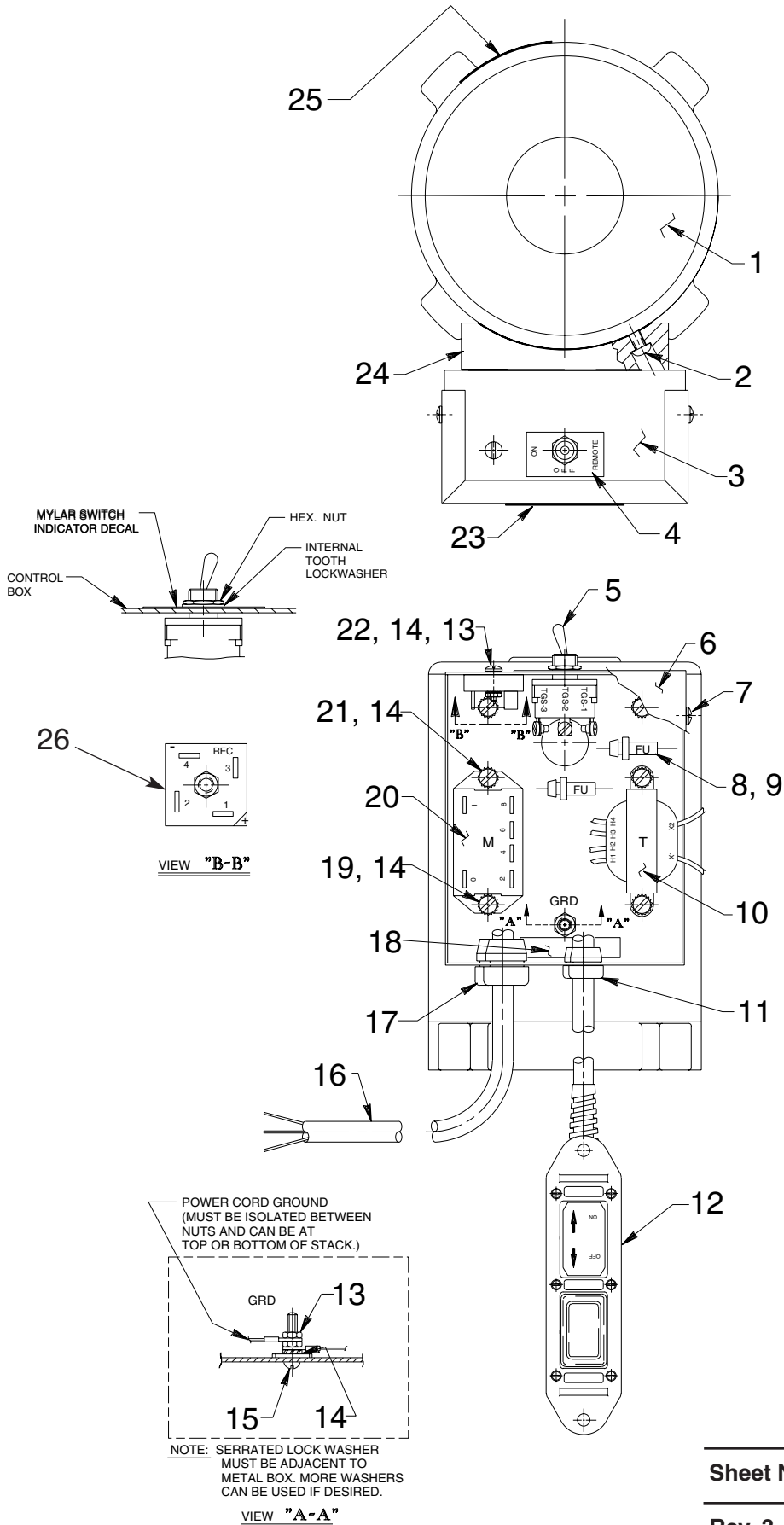
WARNING: To help avoid personal injury, all electrical work must be done by a qualified electrician.



Note: Shaded areas reflect last revision(s) made to this form.

MOTOR & CONTROL ASSEMBLY

220/230 V., 50/60 Hz.



Parts List, Form No. 101443, Back sheet 5 of 5

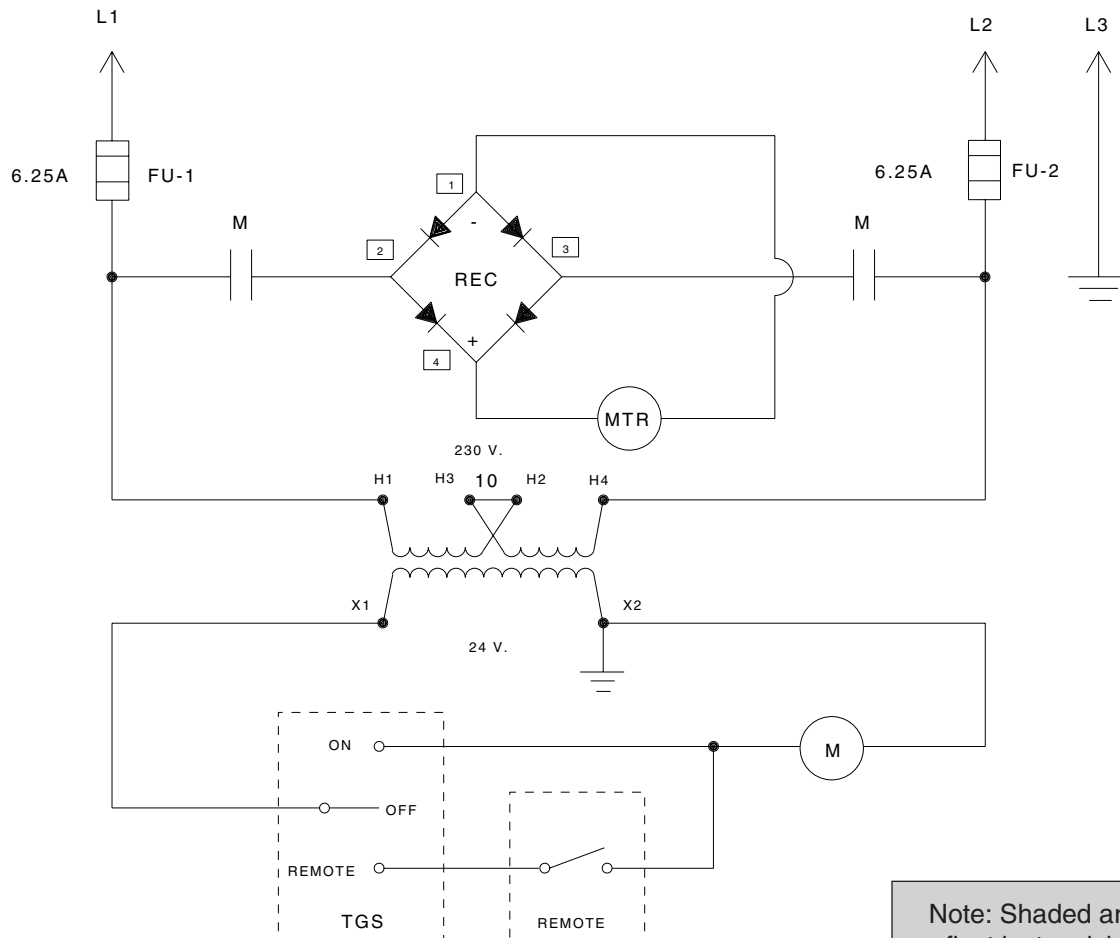
Item No.	Part No.	No. Req'd	Description	Item No.	Part No.	No. Req'd	Description
1	420839BK2	1	Electric Motor (220 V.)	15	11856	1	Machine Screw (#10-24 X 1" Lg.)
2	12316	2	Screw	16	308752	9 ft.	Electrical Cable (14/3 SJTO)
3	58558BK2	1	Electrical Control Box	17	210112	1	Strain Relief Bushing
4	25802	1	Indicator Plate	18	205189	1	Ground Decal
5	12665	1	Toggle Switch	19	10164	8	Slotted Screw (#10-24 UNC X 3/8 Lg.)
6	42576BK2	1	Control Box Cover	20	251638	1	Relay
7	11141	4	Tap Screw	21	12909	4	Machine Screw
8	16887	2	Fuse Holder	22	10167	1	Machine Screw (#10-24 UNC X 3/4 Lg.)
9	250176	2	Fuse (6.25 AMP)	23	200188	1	Decal
10	251049	1	Transformer	24	420962	1	Mounting Adapter
11	15993	1	Strain Relief Bushing	25	351024	1	Decal
12	25017	1	Hand Switch Assembly (See Form No. 101644)	26	251050	1	Rectifier
13	10197	2	Nut (#10-24 UNC)				
14	11108	14	Lockwasher (#10 External Tooth)				

Note: Rectifier is supplied with motor.

ELECTRICAL SCHEMATIC 220/230 V., 50/60 Hz.



WARNING: To help avoid personal injury, all electrical work must be done by a qualified electrician.



Note: Shaded areas reflect last revision(s) made to this form.