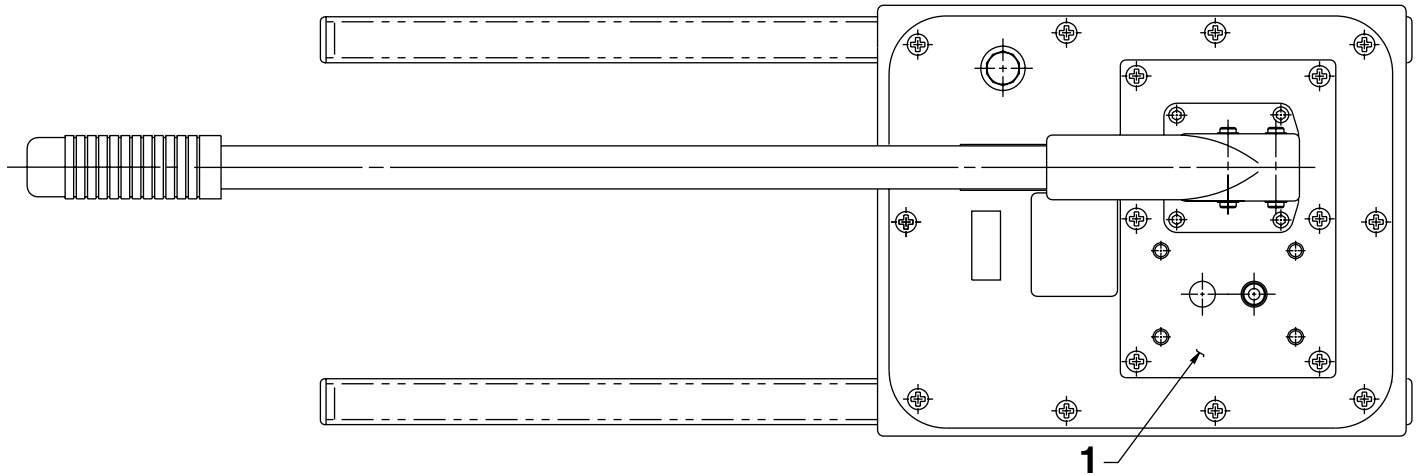


Parts List for:

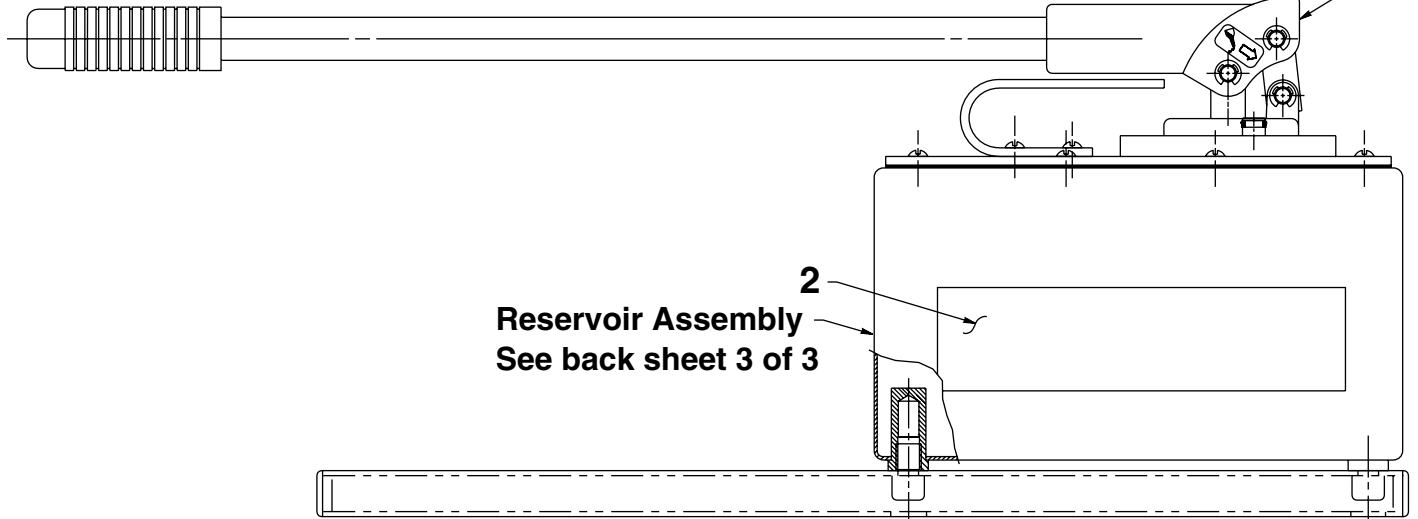
P460
P460 Series

P460D
P460D Series

MODEL D
TWO-STAGE HYDRAULIC HAND PUMP
GENERAL ASSEMBLY



Basic Pump Assembly - See back sheet 1 of 3



Item No.	Part No.	No. Req'd	Description
1	420295	1	Valve (3-way; For P460)
	9500	1	Valve (4-way; For P460D; See Form No. 101913)
2	309219CE	2	Trade Name Decal

PARTS INCLUDED BUT NOT SHOWN

†205724	1	Attention Decal (Viton Seals)
•250328	1	Attention Decal (EPR Seals)
253234	1	Decal (Oil Pivot Pins)

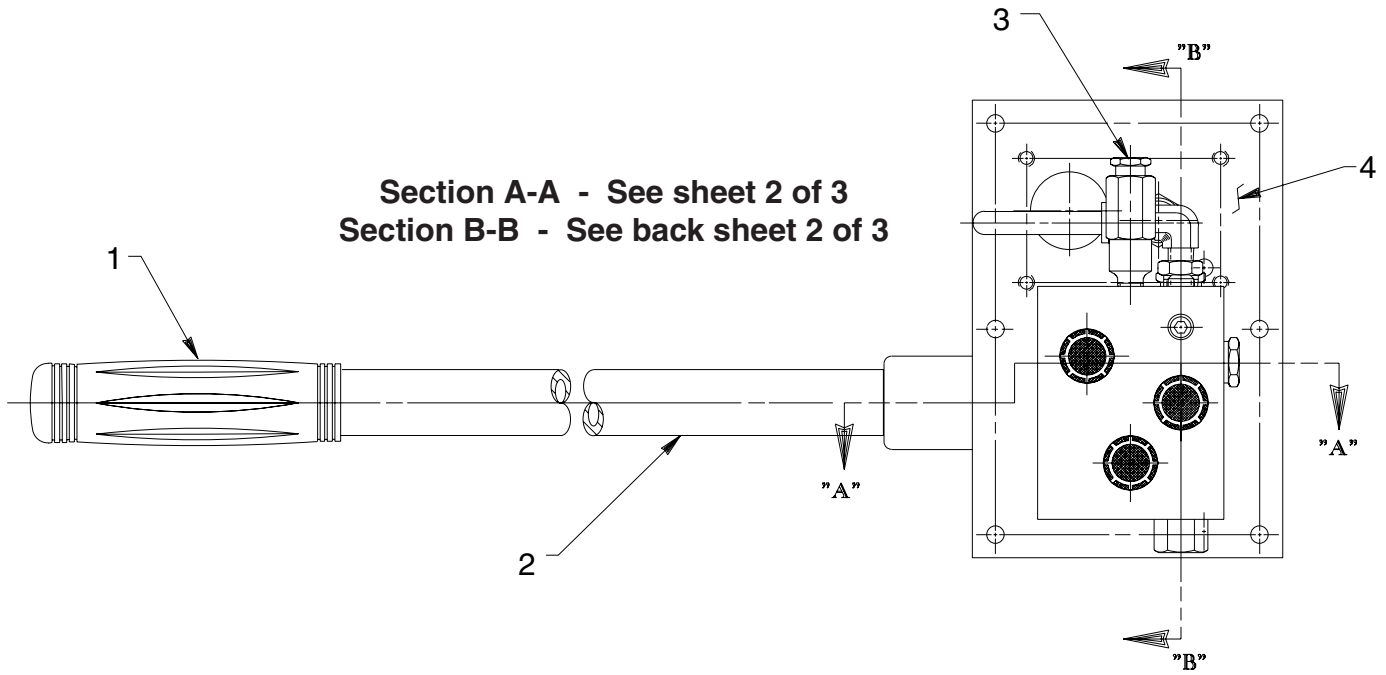
Part numbers marked with a dagger (†) are contained in Viton Seal Repair Kit No. 300812.

Part numbers marked with a bullet (•) are contained in EPR Repair Kit No. 300813.

Sheet No. 1 of 3

Rev. 6 Date: 9 Feb. 2001

BASIC PUMP ASSEMBLY

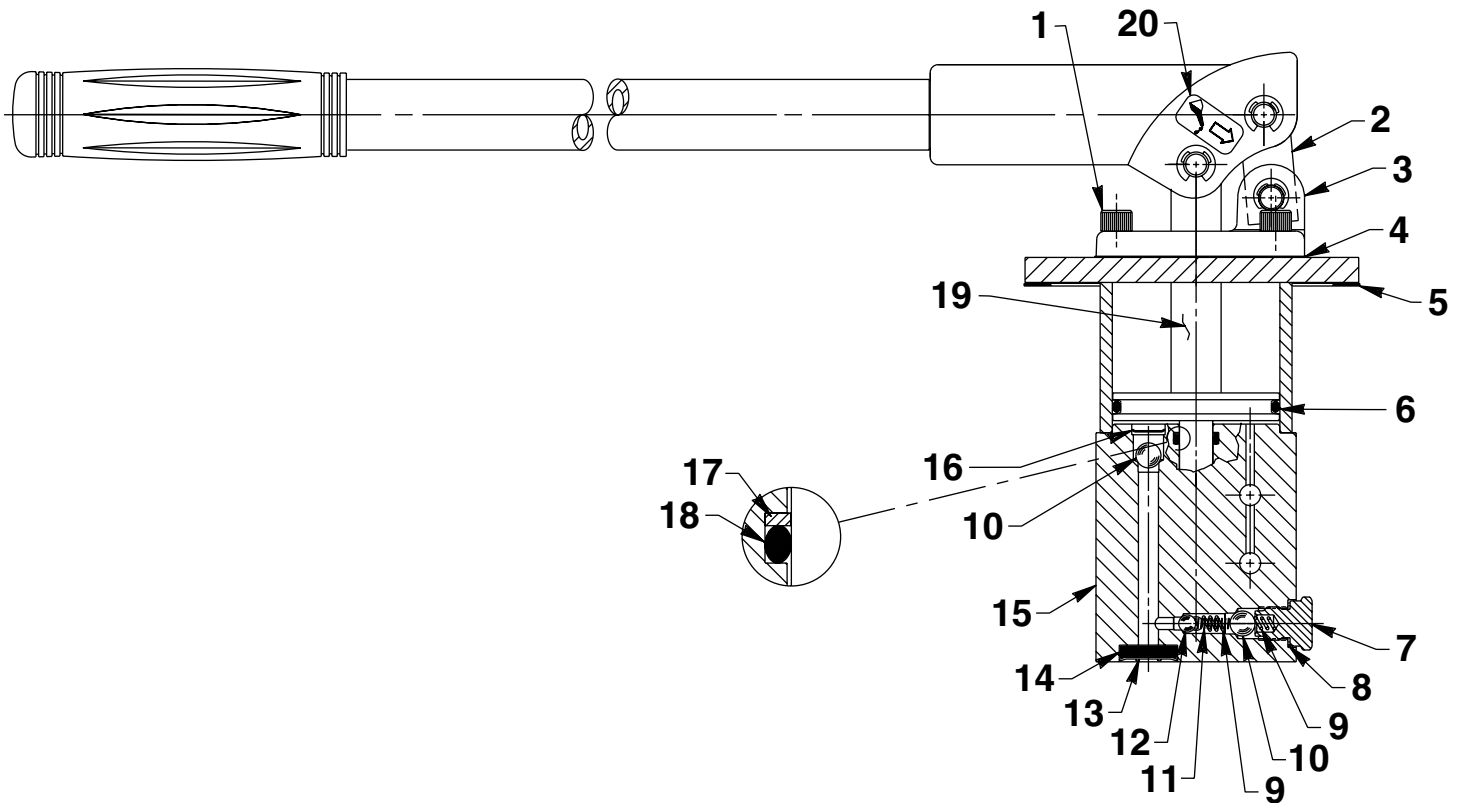


Item No.	Part No.	No. Req'd	Description
1	11390	1	Flex Grip Handle
2	30708	1	Handle
3	21278	1	Relief Valve Assembly (See note below)
4	420418GY8	1	Cover Plate

NOTE

Standard relief valves are set at 10,100/10,700 PSI.
Relief valves pre-set at special settings are available.
Refer to your pump model number or contact Power Team Technical Services.

SECTION A-A



Item No.	Part No.	No. Req'd	Description
1	250671	4	Screw (5/16-24 UNF x 3-1/2 Lg.; Torque to 240/250 in. lbs.) Note: Torque in increments of 100 in. lbs.
2	21603	1	Pivot Block
3	420978BK2	1	End Cap
4	•†*22143	1	End Cap Gasket
5	•†*30709	1	Reservoir Gasket
6	*10295	1	O-ring (2-1/2 x 2-1/4 x 1/8; Nitrile)
	†19040	1	O-ring (2-1/2 x 2-1/4 x 1/8; Viton)
	•251241	1	O-ring (2-1/2 x 2-1/4 x 1/8; EPR)
7	351952	1	Valve Screw (Torque to 480/500 in. lbs.)
8	•†*14874	1	Soft Copper Washer (.700 X 1/2 X 1/32)
9	•†*10444	1	Compression Spring (3/16 I.D. X 13/32 Lg.)

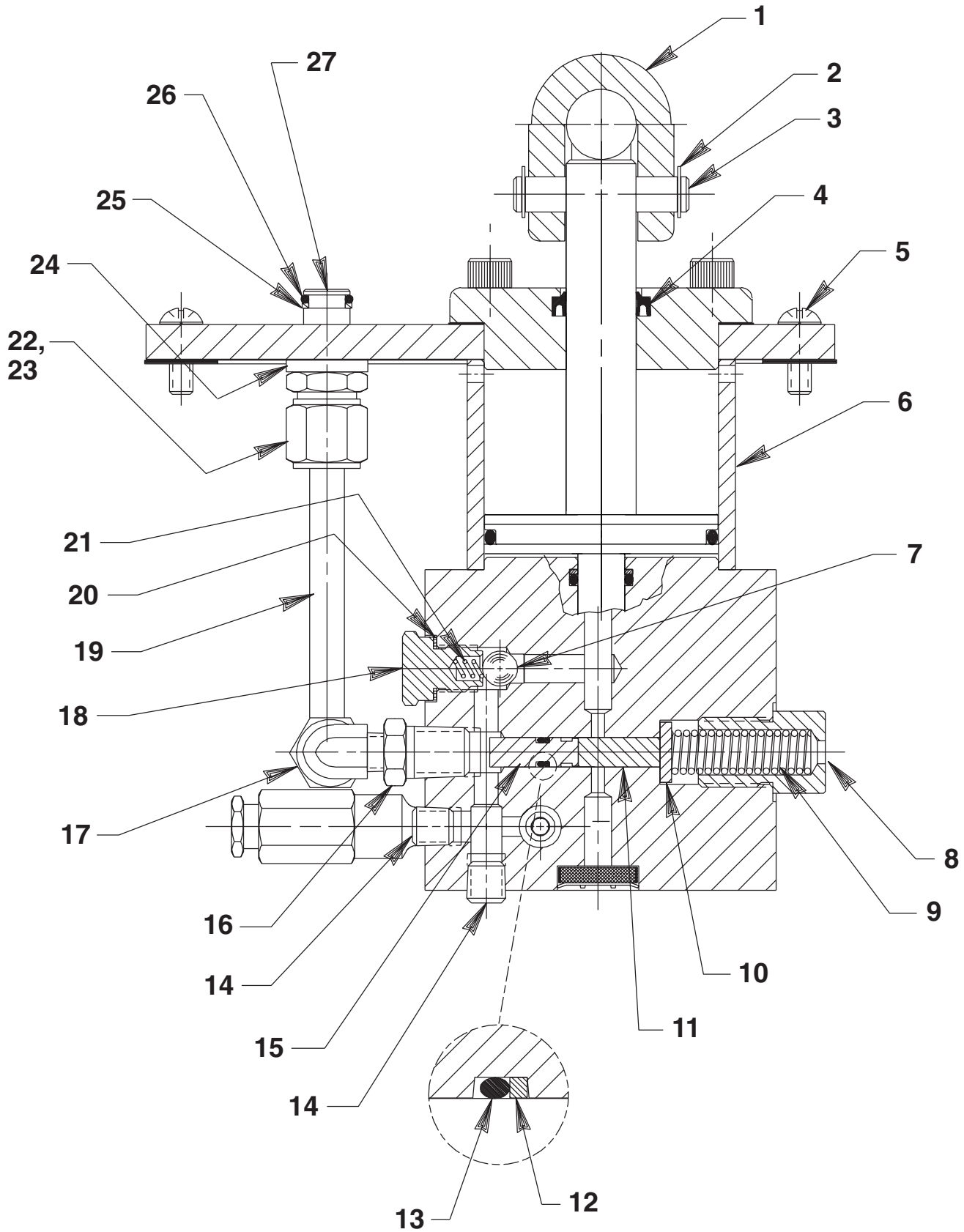
Item No.	Part No.	No. Req'd	Description
10	•†*10378	3	Steel Ball (3/8 dia.)
11	•†*211797	1	Spring (5/32 O.D. X 5/8 Lg.)
12	•†*10375	1	Steel Ball (1/4 dia.)
13	•†*214586	3	Retaining Ring (Internal)
14	•†*214578	3	Filter (Insert screen with cupped side in.)
15	64202	1	Pump Body
16	•†*250670	2	Retaining Ring
17	*12389	1	Backup Washer
	•†213987	1	Backup Washer (Assemble with concave surface towards o-ring.)
18	*11564	1	O-ring (11/16 X 1/2 X 3/32; Urethane)
	†11445	1	O-ring (11/16 X 1/2 X 3/32; Viton)
	•19406	1	O-ring (11/16 X 1/2 X 3/32; EPR)
19	253372	1	Piston Assembly
20	253234	1	Oil Pivot Pins Decal

Part numbers marked with an asterisk (*) are contained in Repair Kit No. 300811.
 Part numbers marked with a dagger (†) are contained in Viton Seal Kit No. 300812.
 Part numbers marked with a bullet (•) are contained in EPR Seal Kit No. 300813.

Note: Shaded areas reflect last revision(s) made to this form.

To Parts List

SECTION B-B



Item No.	Part No.	No. Req'd	Description
1	30701	1	Lever
2	11032	6	Retaining Ring
3	21609	3	Clevis Pin
4	*251728	1	Rod Wiper (Nitrile)
	†251729	1	Rod Wiper (Viton)
	•251730	1	Rod Wiper (EPR)
5	10177	6	Machine Screw (1/4-20 UNC X 3/4 Lg.)
6	350302	1	Spacer (Position of holes is to be at the top.)
7	•†*10378	1	Steel Ball (3/8 dia.)
8	308430	1	Unloading Valve Fitting
9	•†*10367	1	Compression Spring (1/2 O.D. x 2" Lg.)
10	214692	1	Disc
11	250672	1	Dowel Pin
12	•†*15174	1	Backup Ring (5/16 X 3/16 X 3/64)
13	*10265	1	O-ring (5/16 X 3/16 X 1/16; Nitrile)
	†11437	1	O-ring (5/16 X 3/16 X 1/16; Viton)
	•17714	1	O-ring (5/16 X 3/16 X 1/16; EPR)
14	10427	2	Pressure Plug
15	250658	1	Unloading Valve Piston
16	13269	1	Reducer Bushing
17	10475	1	Tube Elbow
18	305975	1	Valve Screw (Torque to 480/500 in. lbs.)
19	350340	1	Oil Line
20	14874	1	Soft Copper Washer (.700 X 1/2 X 1/32)
21	•†*10444	1	Compression Spring (3/16 I.D. X 13/32 Lg.)
22	10430	1	Tube Sleeve (3/8)
23	10431	1	Tube Nut (Torque to 40/50 ft. lbs.)
24	21484	1	Spacer
25	•†*11863	1	Backup Washer (1/2 X 3/8 X 1/16)
26	*10268	1	O-ring (1/2 X 3/8 X 1/16; Nitrile)
	†19775	1	O-ring (1/2 X 3/8 X 1/16; Viton)
	•17716	1	O-ring (1/2 X 3/8 X 1/16; EPR)
27	20787	1	Valve Connector (Torque to 20/30 ft. lbs.)

Part numbers marked with an asterisk (*) are contained in Repair Kit No. 300811.
Part numbers marked with a dagger (†) are contained in Viton Seal Kit No. 300812.
Part numbers marked with a bullet (•) are contained in EPR Seal Kit No. 300813.

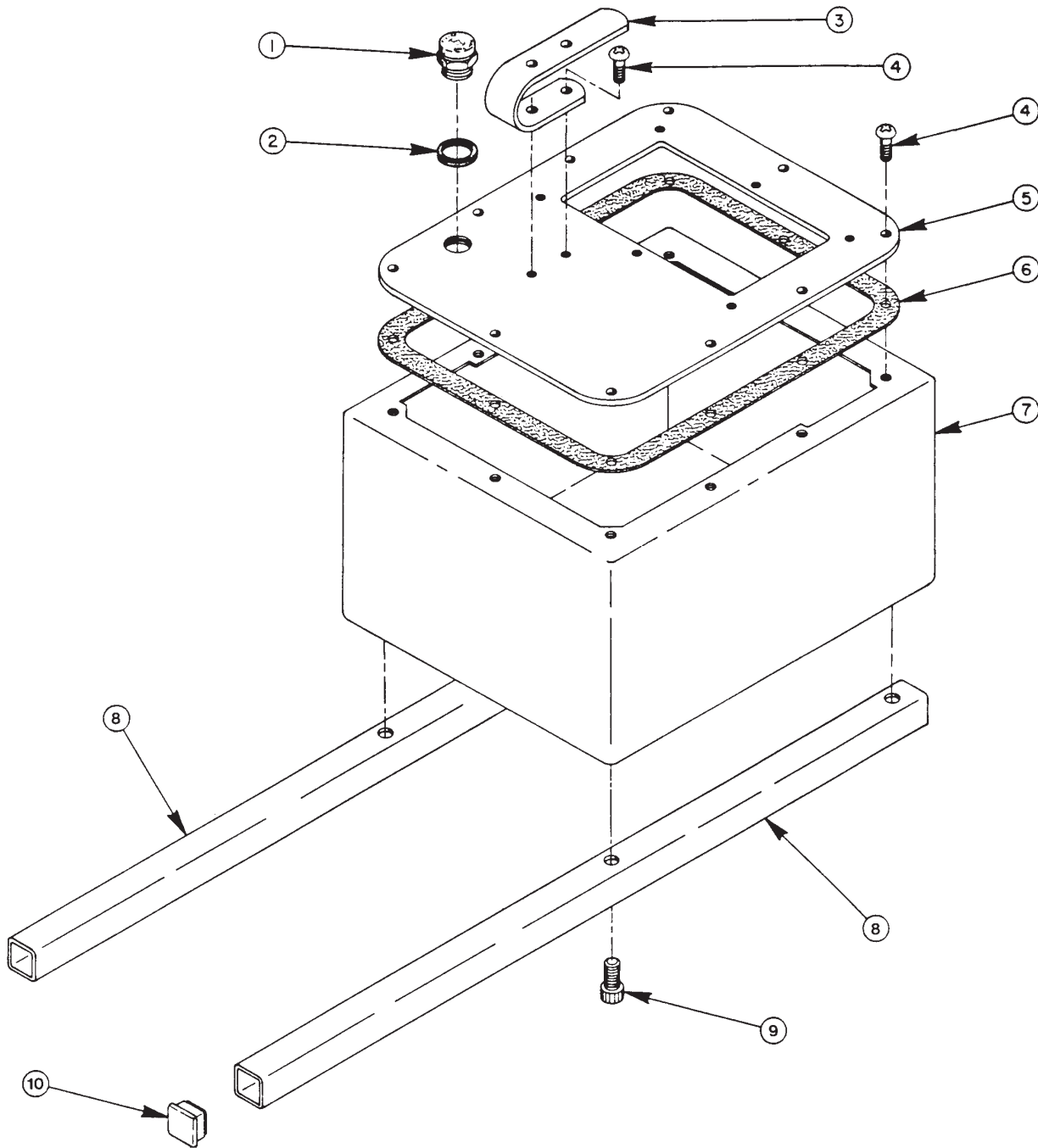


Note: Shaded areas reflect last revision(s) made to this form.

Sheet No. 3 of 3

Rev. 6 Date: 9 Feb. 2001

TWO GALLON RESERVOIR ASSEMBLY



Item No.	Part No.	No. Req'd	Description
1	251689	1	Filler/Vent Cap
2	*200415	1	O-ring (.81 x .62 Nitrile)
	†18999	1	O-ring (.81 x .62 Viton)
	•250157	1	O-ring (.81 x .62 EPR)
3	24066	1	Handle (Apply Permatex [or equiv.] between handle and cover plate.)
4	10177	12	Machine Screw (1/4-20 UNC x 3/4 Lg.)
5	41810WH2	1	Cover Plate

Item No.	Part No.	No. Req'd	Description
6	420484	1	Cover Gasket (Assemble gasket [with adhesive in contact with reservoir]. Apply Permatex [or equiv.] between gasket and cover plate.)
7	40063OR9	1	Reservoir
8	307569	2	Support Tube
9	213836	4	Soc. Hd. Cap Screw
10	12126	4	Plastic Tube Insert

Part numbers marked with an asterisk (*) are contained in Repair Kit No. 300811.
 Part numbers marked with a dagger (†) are contained in Viton Seal Kit No. 300812.
 Part numbers marked with a bullet (•) are contained in EPR Seal Kit No. 300813.