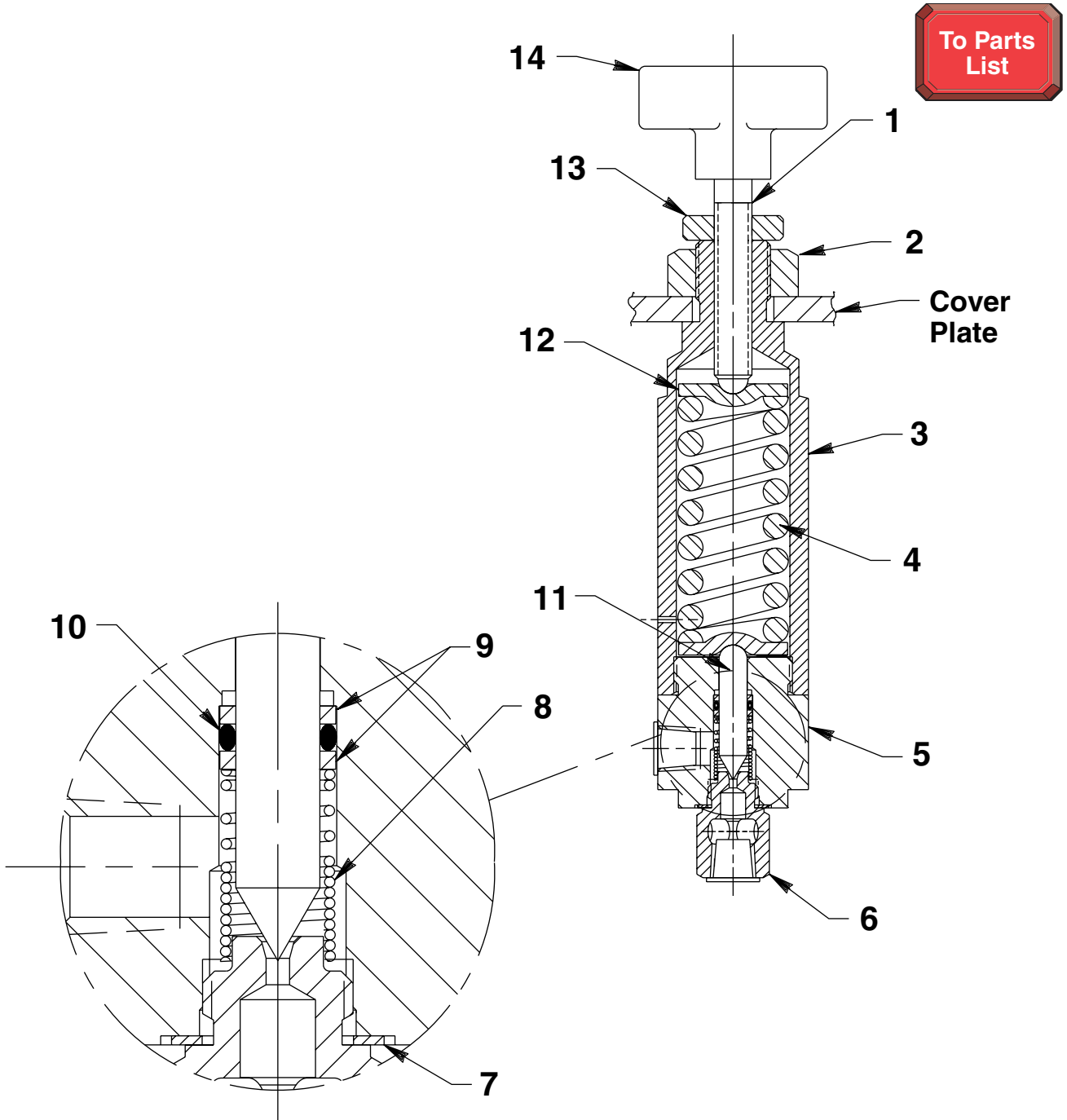


## PRESSURE REGULATOR ASSEMBLY



# Parts List, Form No. 101697, Back sheet 1 of 1

---

Item No.	Part No.	No. Req'd	Description
1	215721	1	Adjustment Stem (Note: Assemble to knob [Item #14] with Loctite No. 242 or equiv.)
2	10396	1	Jam Nut (3/4-16 UNF)
3	309077	1	Regulator Housing
4	215429	1	Compression Spring (1.100 O.D. X 2-1/2 Lg.)
5	420891	1	Regulator Body
6	350944	1	Seat Fitting (Torque to 440/460 in. lbs.)
7	14874	1	Soft Copper Washer (.700 X 1/2 X 1/32)
8	215431	1	Spring Sleeve (Note: Assemble closed coils of spring form towards seat fitting [Item #6].)
9	215430	2	Washer
10	10266	1	O-ring (3/8 X 1/4 X 1/16)
11	309079	1	Poppet
12	215428	2	Spring Retainer (Grease pocket before assembly [both ends])
13	215683	1	Regulator Locking Nut
14	215693	1	Knob



Refer to any operating instructions included with this product for detailed information about operation, testing, disassembly, reassembly, and preventive maintenance.

Items found in this parts list have been carefully tested and selected. **Therefore: Use only genuine Power Team replacement parts!**

Additional questions can be directed to our Technical Services Department.