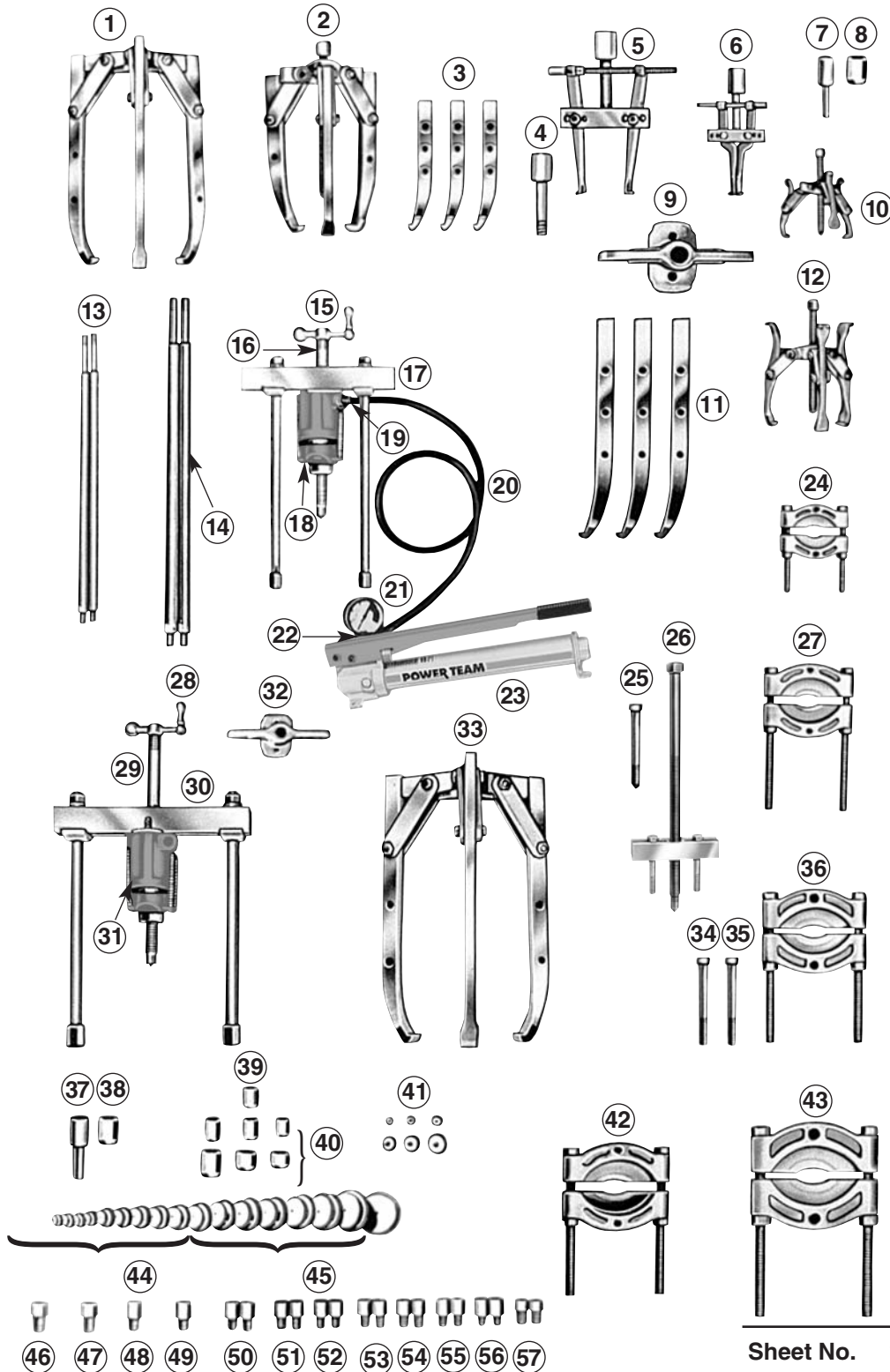


17-1/2, 30 AND 50 TON CAPACITY PULLER SET



To Parts List

Parts List, Form No. 101767, Back sheet 1 of 1

Item No.	Part No.	No. Req'd	Description
1	1066	1	Puller (17 1/2 ton; 3 jaw)
2	1041	1	Combination Puller (2/3 jaw)
3	43892	3	Long Jaws (For 1037)
4	34479	1	Reducing Adapter (For 1166)
5	1166	1	Bearing Cup Pulling Attachment
6	1154	1	Bearing Cup Pulling Attachment
7	201923	1	Pushing Adapter
8	28228	1	Cylinder Cap
9	50449	1	Puller Head (50 ton; 2 jaw)
10	1027	1	Combination Puller (2/3 jaw)
11	30902	3	Long Jaws (For 1041)
12	1037	1	Combination Puller (2/3 jaw)
13	1105	1 pr.	Puller Legs (22 1/2" for 1062)
14	1113	1 pr.	Puller Legs (34"; For 1076)
15	24814	1	Speed Crank
16	32118	1	Adjusting Screw
17	1062	1	Push-puller (17 1/2 ton; with 16 1/2" legs)
18	RT172	1	Twin Cylinder With Threaded Insert (17 1/2 ton; Center-hole)
19	9798	1	Hose Half Coupler
20	9767	1	Hydraulic Hose 6'
21	9059	1	Pressure Gauge
22	9670	1	Tee Adapter
23	P55	1	Hand Pump Assembly (Single-Stage)
24	1122	1	Bearing Pulling Attachment
25	24833	1	Forcing Screw (For 7392)
26	7392	1	Gear and Pulley Puller
27	1123	1	Bearing Pulling Attachment
28	29595	1	Speed Crank
29	32698	1	Adjusting Screw
30	1076	1	Push-puller (50 ton with 24" legs)
31	RT503	1	Twin Cylinder With Threaded Insert (50 ton; Center-hole)
32	41224	1	Puller Head (17 1/2 ton; 2 jaw)
33	1080	1	Hydraulic Puller (50 ton; 3 jaw)
34	24829	2	Short Bolt
35	10215	2	Hex Nut (3/4 - 16)
36	1130	1	Bearing Pulling Attachment
37	34755	1	Pushing Adapter
38	28230	1	Cylinder Cap
39	8038	1	Female Threaded Adapter (5/8 - 18 X 3/4 - 16)
40	8044	6 pcs.	Female Threaded Adapter Set
41	8056	6 pcs.	Shaft Protector Set
42	1126	1	Bearing Pulling Attachment
43	1127	1	Bearing Pulling Attachment
44	8075	11 pcs.	Step Plate Adapter Set
45	8076	6 pcs.	Step Plate Adapter Set
46	8029	1	Male-Female Threaded Adapters (1 5/8" - 5 1/2 F. X 1" - 14 M.)
47	8028	1	Male-Female Threaded Adapters (1 5/8" - 5 1/2 F. X 1" - 8 M.)
48	8021	1	Male-Female Threaded Adapters (1" - 8 F. X 1" - 14 M.)
49	8020	1	Male-Female Threaded Adapters (1" - 8 F. X 5/8 - 18 M.)
50	8023	2	Male-Female Threaded Adapters (1 1/4" - 12 F. X 1" - 14 M.)
51	8019	2	Male-Female Threaded Adapters (5/8 - 18 F. X 1" - 14 M.)
52	8015	2	Male-Female Threaded Adapters (5/8 - 18 F. X 3/4 - 10 M.)
53	8013	2	Male-Female Threaded Adapters (5/8 - 18 F. X 3/4 - 16 M.)
54	8010	2	Male-Female Threaded Adapters (5/8 - 18 F. X 5/8 - 11 M.)
55	8007	2	Male-Female Threaded Adapters (5/8 - 18 F. X 1/2 - 13 M.)
56	8006	2	Male-Female Threaded Adapters (5/8 - 18 F. X 1/2 - 20 M.)
57	8005	2	Male-Female Threaded Adapters (5/8 - 18 F. X 3/8 - 16 M.)

