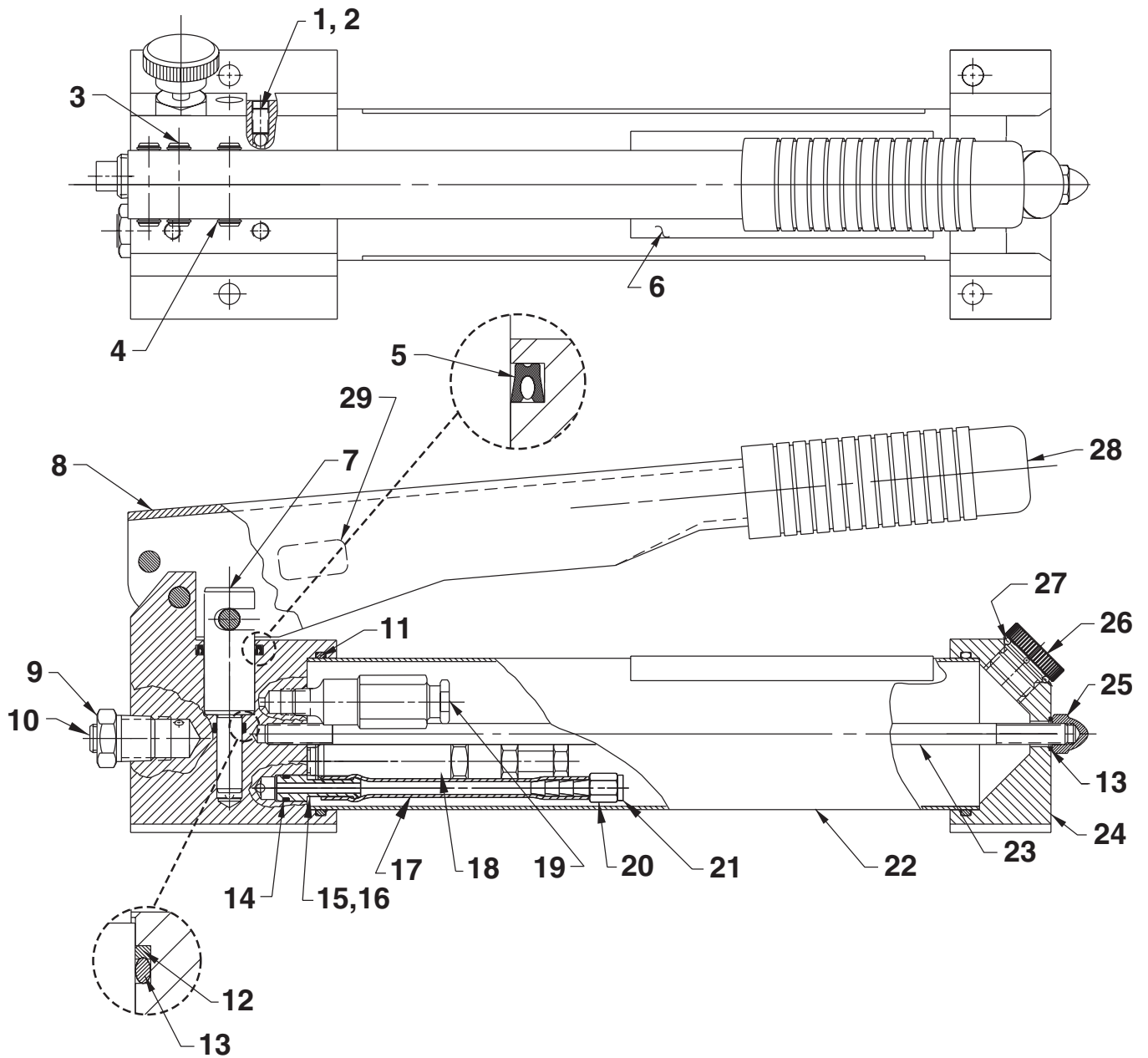


TWO-SPEED HYDRAULIC HAND PUMP Max. Capacity: 10,000 PSI



Parts List, Form No. 101787, Back sheet 1 of 2

Item No.	Part No.	No. Req'd	Description
1	12223	3	Ball (3/16 Dia.)
2	10519	3	Set Screw (1/4-20 UNC X 3/8 Lg.; Torque to 75/85 in. lbs.)
3	251893	3	Pin
4	251925	6	Retaining Ring (External)
5	*251923	1	U-cup
6	*305977	1	Warning Decal
7	351129	1	Two-speed Piston
8	64886BK2	1	Handle
9	12203	1	Straight Fitting
10	10427	1	Plug Fitting
11	*251965	2	O-ring (2-7/16 x 2-1/4 x 3/32)
12	*250611	1	Backup Washer (1/2 x 3/8 x .049; Assemble with concave surface towards o-ring.)
13	*15279	2	O-ring (1/2 X 3/8 X 1/16)
14	*12557	1	O-ring (11/32 X 7/32 X 1/16)
15	252960	1	Tube Adapter
16	252959	1	O-ring
17	251125	4"	Flexible Tubing
18	422036-103	1	Step Down Relief Valve (Set at 9,800/10,200 PSI) For P19-Deutsch only.
	3000250-2	1	Step Down Relief Valve (Set at 9,800/10,200 PSI) For P19-DMC only.
19	48011	1	Relief Valve Assembly (325 PSI)
20	250889	1	Hose Fitting
21	216296	1	Filter Disc
22	351120	1	Reservoir Tube
23	251889	1	Tie Rod
24	58681	1	Reservoir Cap
25	251903	1	Cap Nut (Torque to 90/110 in. lbs. Fully engage acorn nut onto tie rod before torquing to body.)
26	351245	1	Filler Cap
27	*10274	1	O-ring (7/8 X 11/16 X 3/32)
28	11390	1	Flex Grip Handle
29	253234	1	Decal (Oil Pivot Pins)

Part numbers marked with an asterisk (*) are contained in Repair Kit No. 300894.

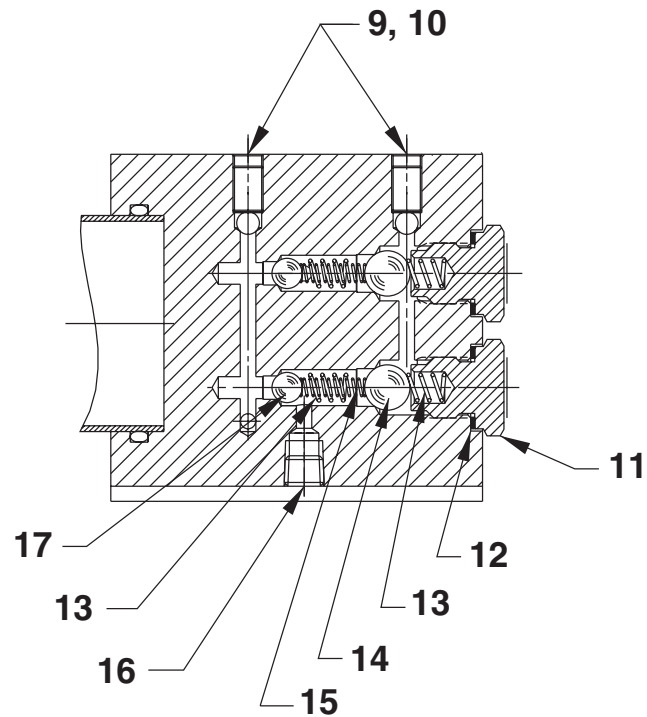
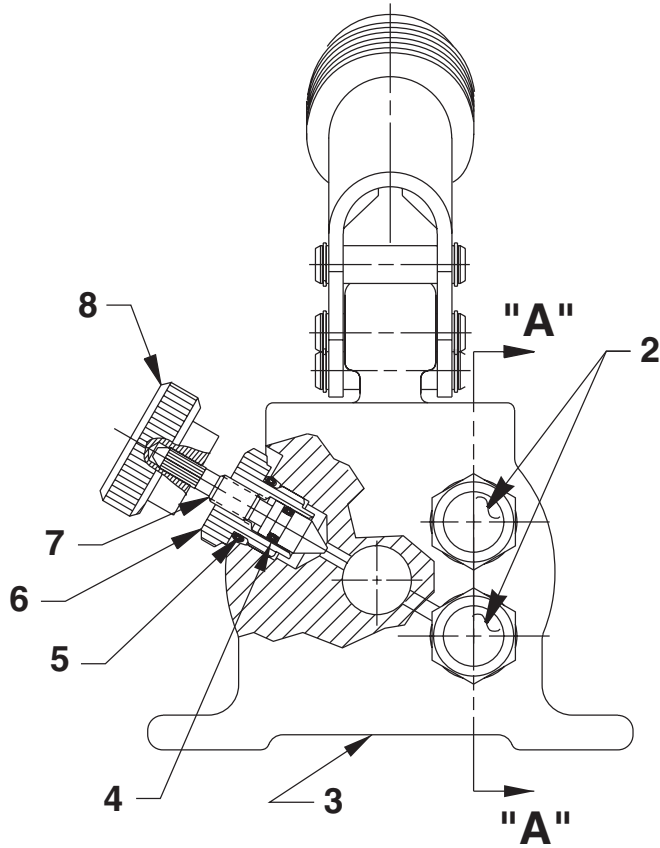
Refer to any operating instructions included with this product for detailed information about operation, testing, disassembly, reassembly, and preventive maintenance.

Items found in this parts list have been carefully tested and selected. **Therefore: Use only genuine Power Team replacement parts!**

Additional questions can be directed to our Technical Services Department.

Note: Shaded areas reflect last revision(s) made to this form.

END VIEW AND SECTION A-A



SECTION A-A

Parts List, Form No. 101787, Back sheet 2 of 2

Item No.	Part No.	No. Req'd	Description
2	*215907	2	Decal
3	64863	1	Pump Body
4	*10265	1	O-ring (5/16 X 3/16 X 1/16)
5	*10300	1	O-ring (5/8 X 15/32 X 5/64)
6	34871	1	Guide
7	29783	1	Stem
8	29827	1	Knob
9	12223	2	Ball (3/16 Dia.)
10	10519	2	Set Screw (1/4-20 UNC X 3/8 Lg.; Torque to 75/80 in. lbs.)
11	360070	2	Valve Screw (Torque to 480/500 in. lbs.)
12	*14874	2	Soft Copper Washer (.700 X 1/2 X 1/32)
13	*10444	4	Compression Spring (3/16 I.D. X 13/32 Lg.)
14	*14476	2	Steel Ball (11/32 Dia.)
15	*211797	2	Compression Spring (5/32 O.D. X 5/8 Lg.)
16	15130	2	Plug (1/16 NPTF)
17	*10375	2	Steel Ball (1/4 Dia.)

Part numbers marked with an asterisk (*) are contained in Repair Kit No. 300894.