

Parts List for:

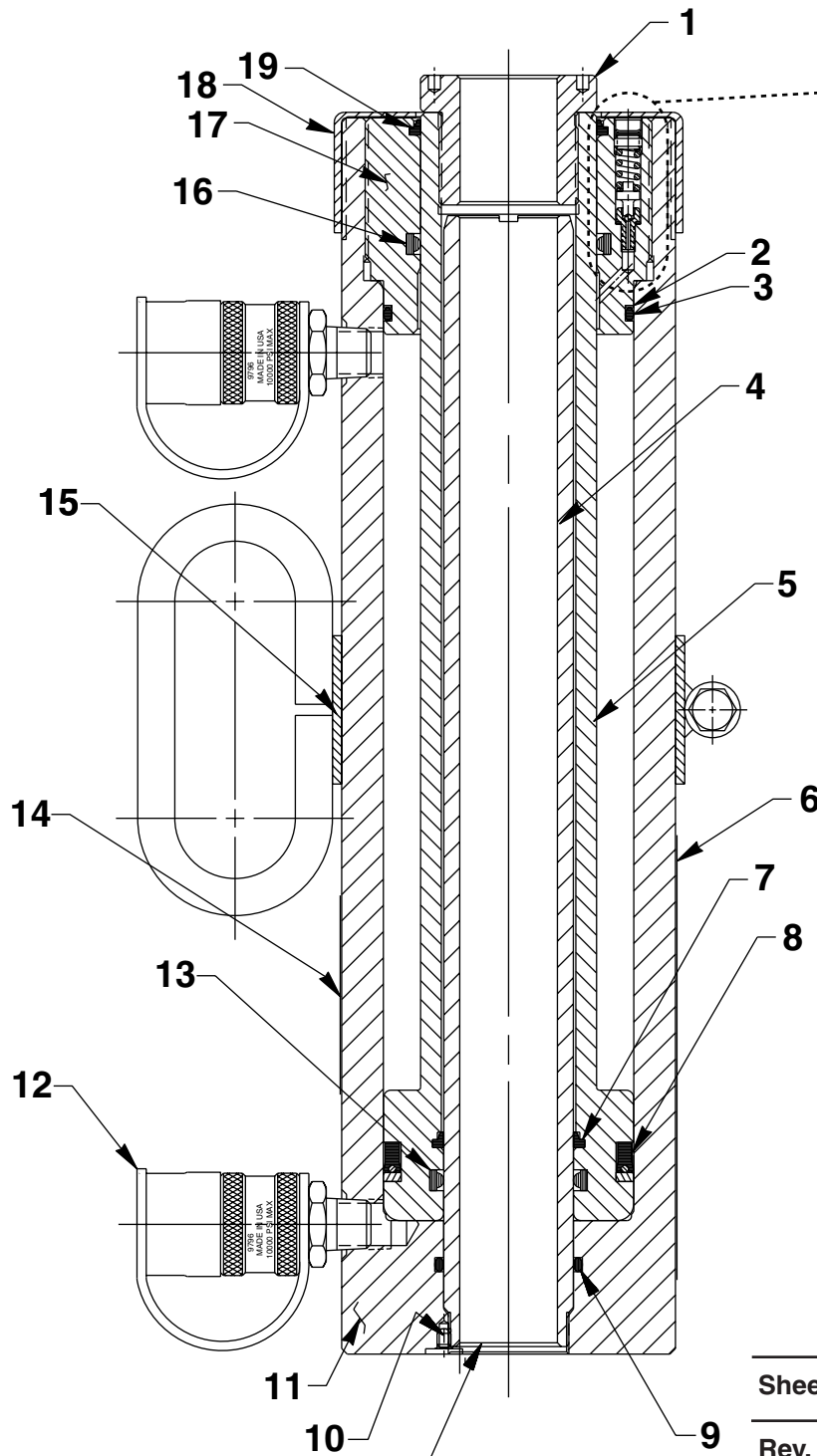
RH3010

Internet Address:
<http://www.powerteam.com>

MODEL B DOUBLE-ACTING HYDRAULIC CYLINDER

Max. Capacity: 32.73 Tons At 10,000 PSI

To Parts List



Double-acting
Cylinder
Relief Valve

See important
! DANGER
statement
on back of
sheet 1 of 1

Sheet No.	1 of 1
Rev.	Date: 27 Feb. 1998



DANGER: To help avoid possible serious personal injury or death,

- In the event that the cylinder retract port is ever restricted or plugged, a double-acting cylinder relief valve will help prevent excessive pressure from building in the cylinder. **DO NOT** attempt to adjust or service this relief valve! If oil leakage is detected from this relief valve, discontinue use of the cylinder immediately and contact Power Team Technical Services. Only Power Team Authorized Hydraulic Service Centers should service this relief valve.

Item No.	Part No.	No. Req'd	Description
1	350502	1	Cap, Threaded Piston
2	*250787	1	Washer, Backup (3.38 x 3.13)
3	*250086	1	O-ring (3.37 x 3.12 Nitrile)
4	351727	1	Standpipe
5	58278	1	Rod, Piston
6	253180	1	Decal, Tradename Power Team
7	*19591	1	Wiper, Rod (2.06 x 1.75 Urethane)
8	*250785	1	U-cup (3.38 x 3.00 x .49 H)
9	*11447	1	O-ring (2.00 x 1.75 Viton)
10	251482	1	Screw, Set (10-24 x 1/4)
11	65843	1	Body, Cylinder
12	9796	2	Coupler, Quick Cylinder Half
13	*250792	1	T-seal (2.13 x 1.75 x .27 L)
14	*203908	1	Decal, Warning
15	420492OR9	1	Handle, Cylinder Life
16	*250786	1	T-seal (2.75 x 2.38 x .27 L)
17	58279	1	Nut, Retainer (3-7/8-12)
18	421275	1	Protector, Thread
19	*250784	1	Wiper Rod (2.69 x 2.37 Urethane)



Part numbers marked with an asterisk (*) are contained in Repair Kit No. 300625.

Refer to any operating instructions included with this product for detailed information about operation, testing, assembly, disassembly, and preventive maintenance.

Items found in this parts list have been carefully tested and selected. **Therefore: Use only genuine Power Team replacement parts!**

Additional questions can be directed to our Technical Services Department.