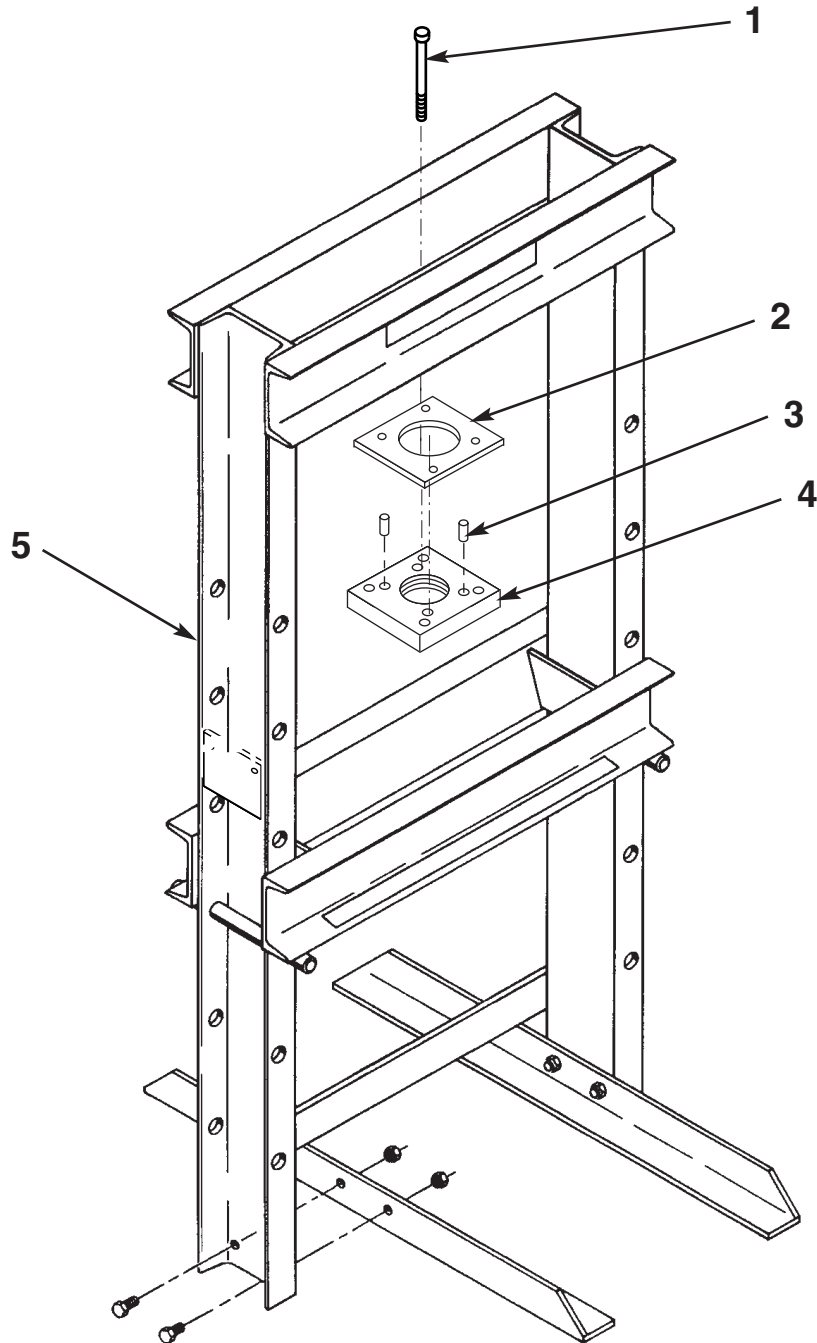


Parts List for:

- SP1010A (Model B)
- SPE1010 (Model B)
- SPE1010-220 (Model B)
- SPE1010D (Model C)
- SPE1010D-220 (Model B)
- SPH1010 (Model B)

SHOP PRESS

Max. Capacity: 10 Tons (9.07 t)



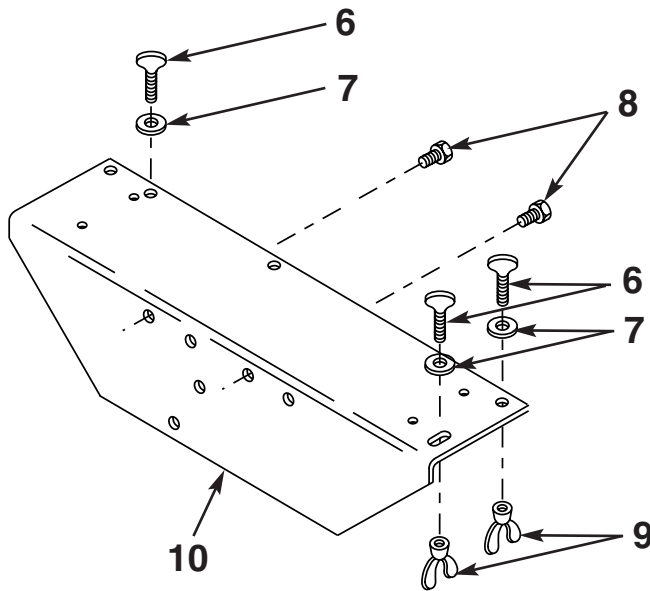
Parts List, Form No. 101916, Back sheet 1 of 2

Item No.	Part No.	No. Req'd	Description
1	11265	2	Hex Hd. Cap Screw
2	44363	1	Plate
3	10496	2	Roll Pin
4	44362	1	Ram Mounting Plate (For SP1010A, SPE1010, SPE1010-220, & SPH1010)
	44365	1	Ram Mounting Plate (For SPE1010D & SPE1010D-220)
5	222480	1	Press Frame Assembly (See Form No. 102768)
6	12680	3	Thumb Screw (For SPH1010 & SPE1010-220)
7	10257	3	Washer (.69 x .35)
8	10046	2	Hex Hd. Cap Screw (3/8-16 UNC x 3/4 Lg.)
9	12029	3	Wing Nut (For SPH1010, SP1010A, & SPE1010-220)
10	42733WH2	1	Hand Pump Mtg. Bracket (For SPH1010 & SP1010A)

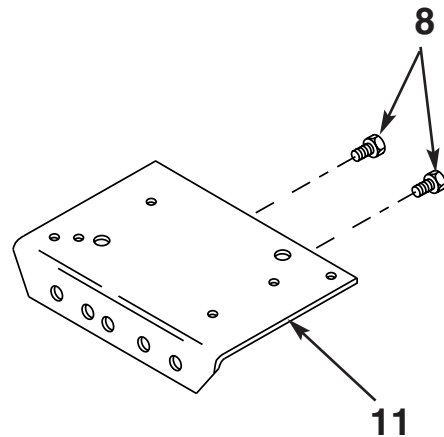
Item No.	Part No.	No. Req'd	Description
11	421125	1	Electric Pump Mounting Bracket (For SPE1010, SPE101D, SPE1010-220 & SPE1010D-220)

PARTS INCLUDED BUT NOT SHOWN

9798	2	Hose Half Coupler (For SPE1010D-220)
RD1010	1	Double-acting Cylinder (For SPE1010D & SPE1010D-220; See Form No. 100306)
44135	1	Single-acting Cylinder (For SPE1010, SPE1010-220, SP1010A, SP1010A & SPH1010; See Form No. 101604)
10469	1	Straight Fitting (used on single-acting cylinder end of hose)
10469	2	Straight Fitting (used on double-acting cylinder end of hose)



HAND & AIR PUMP MOUNTING



ELECTRIC PUMP MOUNTING

Refer to any operating instructions included with this product for detailed information about operation, testing, disassembly, reassembly, and preventive maintenance.

Items found in this parts list have been carefully tested and selected. **Therefore: Use only genuine Power Team replacement parts!**

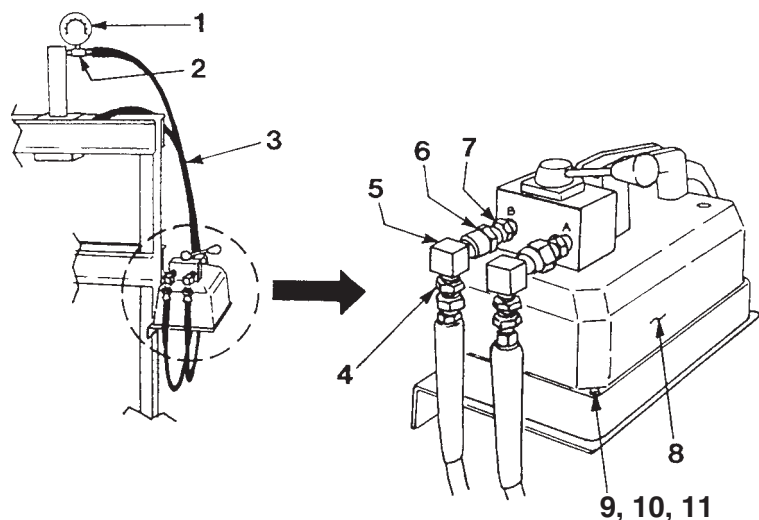
Additional questions can be directed to our Technical Services Department.

HYDRAULIC PUMP HOOK-UP

NOTE: Seal all hydraulic connections with a high grade hydraulic thread sealant.

PE10 ELECTRIC PUMP (DOUBLE-ACTING)

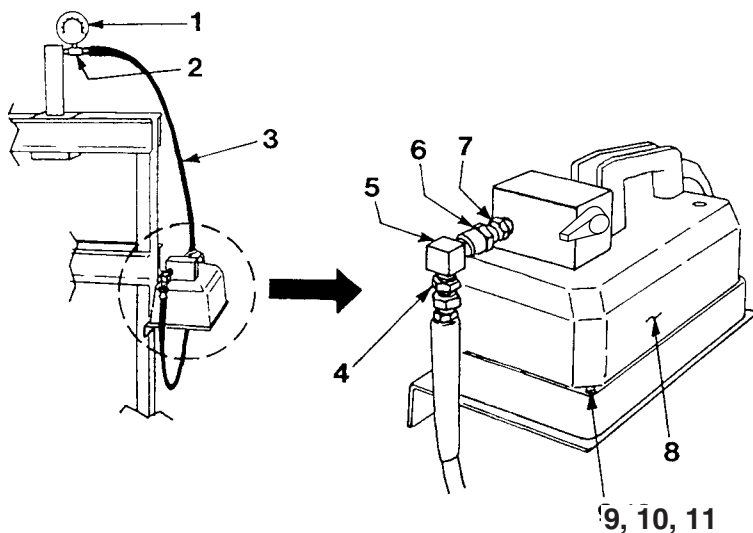
(used on SPE1010D & SPE1010D-220)



Item No.	Part No.	No. Req'd	Description
1	9055	1	Gauge
2	9670	1	Tee
3	350157	2	Hydraulic Hose
4	10469	2	Straight Fitting
5	9681	2	Street Elbow
6	9680	3	Straight Fitting
7	9682	2	Straight Fitting
8	PE104	1	Electric Pump (For SPE1010D; See Form No. 101703)
	PE104-220	1	Electric Pump (For SPE1010D-220; See Form No. 101703)
9	251786	2	Machine Screw (Replace two of the four mtg. screws provided with PE10 pump)
10	207405	2	Locknut
11	11089	2	Washer

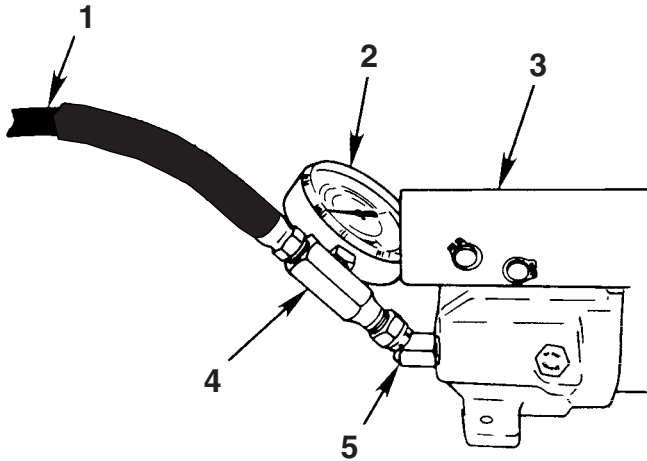
PE10 ELECTRIC PUMP (SINGLE-ACTING)

(used on SPE1010 & SPE1010-220)



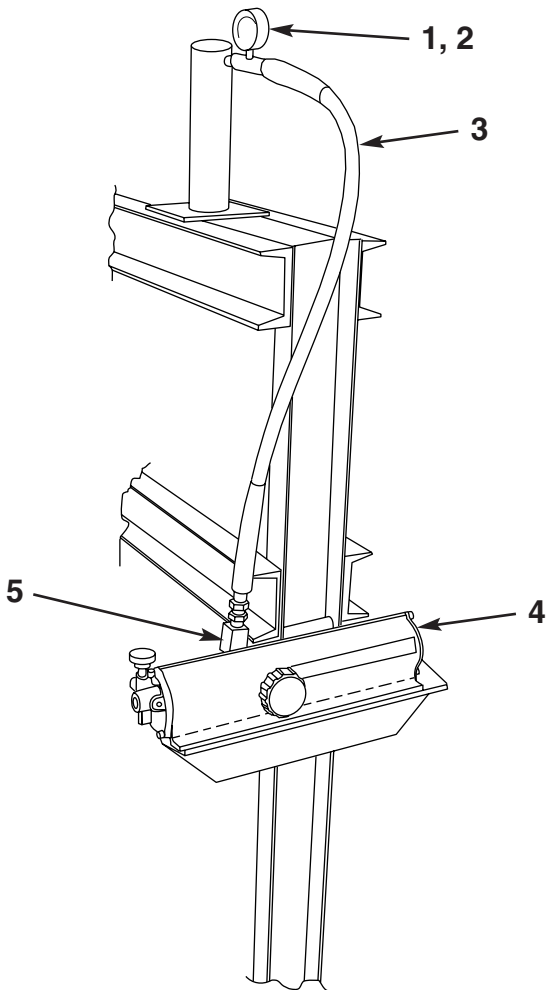
Item No.	Part No.	No. Req'd	Description
1	9055	1	Gauge
2	9670	1	Tee
3	350157	1	Hydraulic Hose
4	10469	1	Straight Fitting
5	9681	1	Street Elbow
6	9680	2	Straight Fitting
7	9682	1	Straight Fitting
8	PE102	1	Electric Pump (For SPE1010; See Form No. 101703)
	PE102-220	1	Electric Pump (For SPE1010-220; See Form No. 101703)
9	251786	2	Machine Screw (Replace two of the four mtg. screws provided with PE10 pump)
10	207405	2	Locknut
11	11089	2	Washer

P55 HAND PUMP
(used on SPH1010)



Item No.	Part No.	No. Req'd	Description
1	350157	1	Hydraulic Hose
2	9055	1	Gauge
3	P55	1	Hand Pump (See Form No.101804)
4	9670	1	Tee Adapter
5	10648	1	45° Fitting

PA9H AIR PUMP
(used on SP1010A)



Item No.	Part No.	No. Req'd	Description
1	9055	1	Gauge
2	9670	1	Tee Adapter
3	350157	1	Hydraulic Hose
4	PA9H	1	Tube Style Air Pump (See Form No.101786)
5	10648	1	45° Fitting