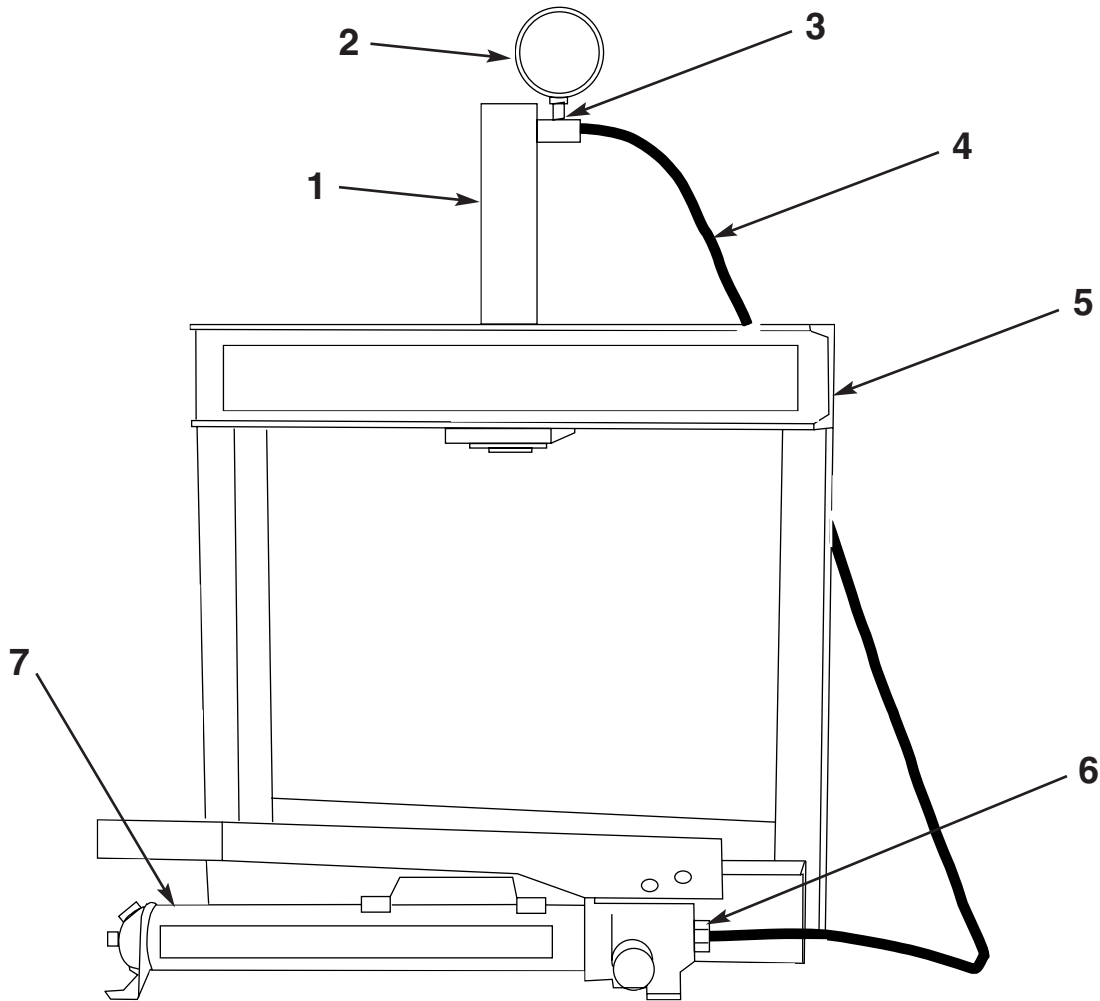


BENCH PRESS ASSEMBLY

Max. Capacity: 10 Tons



Item No.	Part No.	No. Req'd	Description
1	44135	1	Hydraulic Cylinder (See Form No. 101604)
2	9055	1	Pressure Gauge
3	9670	1	Tee Adapter
4	350157	1	Hose (6 ft.)
5	222481	1	Bench Press Frame (See Form No. 102767)
6	10469	1	Adapter Union
7	P55	1	Hydraulic Hand Pump (See Form No. 101804)