

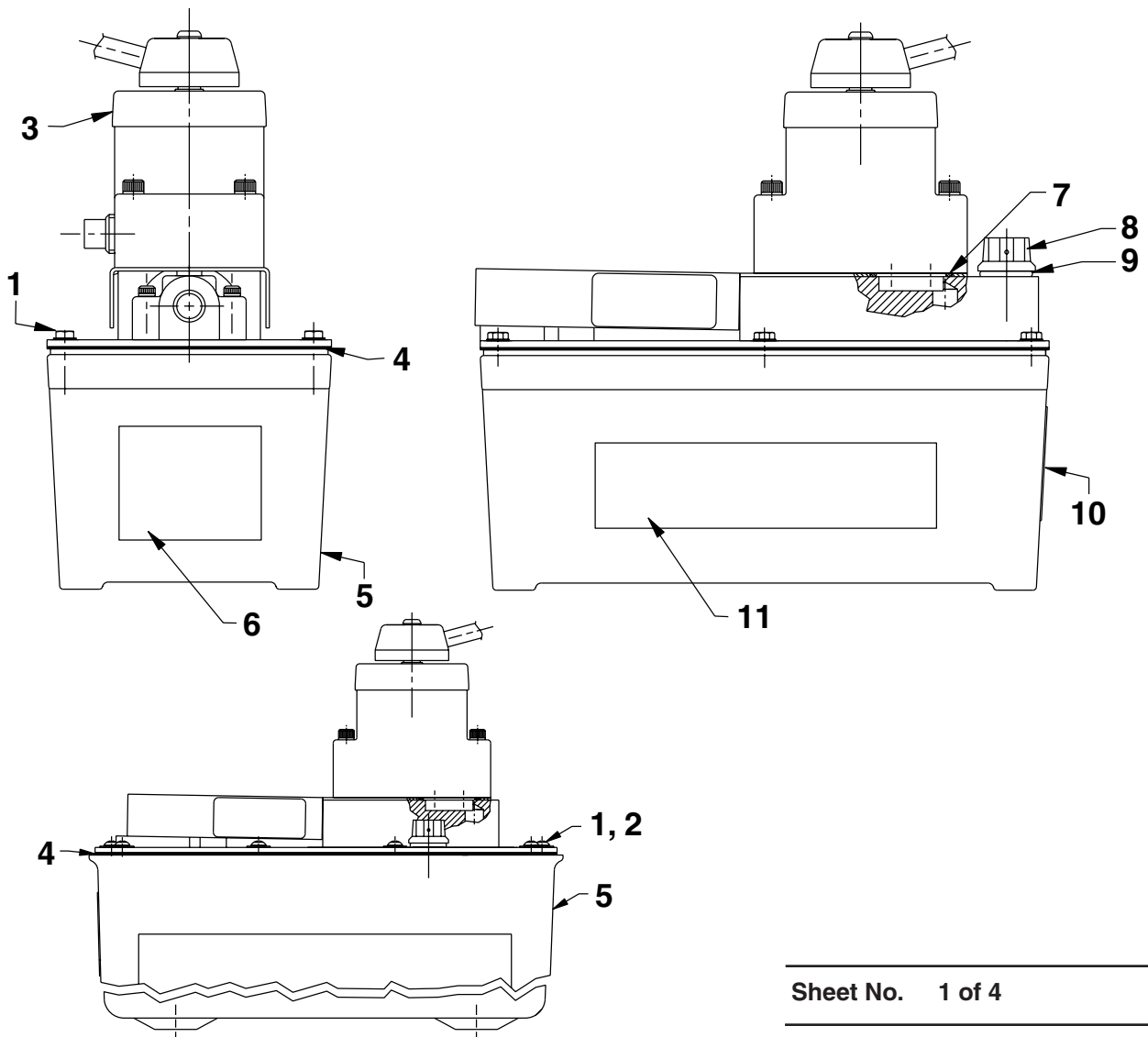
## MODEL F AIR HYDRAULIC PUMP

This section covers these following pumps:

PA6-JWI	PA6D-CONT	PA6DN	PA6D2N
PA6-JWI-10	PA6DE	PA6DV	PA6D2V
PA6-JWI-210	PA6DM	PA6D2	70130-Y12-4 (PA6DM-DES-50)
PA6-JWI-275	PA6DM-DE-STA-CO	PA6D2-CONT	
PA6D	PA6DM-1	PA6D2-MC	
PA6D-AUS	PA6DM-2	PA6D2E	

- More models are listed in Parts List 101652.-

**Note:** These views may not be exact representations of your pump due to the variation of pumps listed, but all parts have been accounted for and are in this parts list.

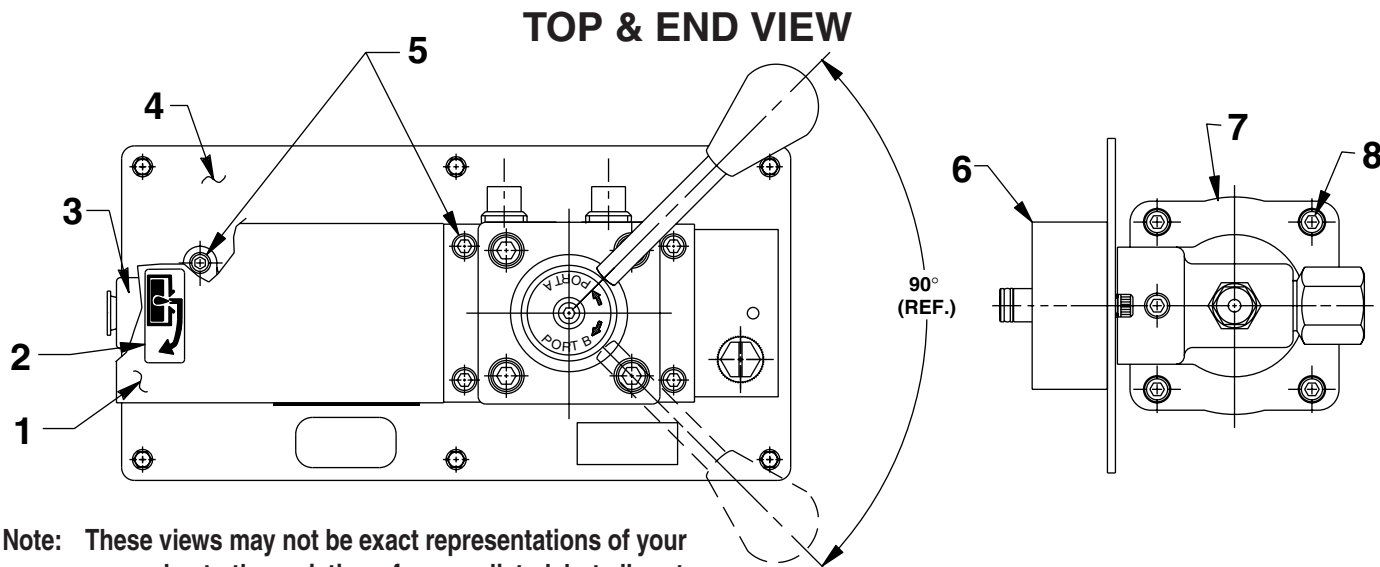


Two gallon reservoir

# Parts List, Form No. 101950, Back sheet 1 of 4

Item No.	Part No.	No. Req'd	Description
1	<b>211060</b>	6	Screw (#9-15 X 1" Lg.; Torque to 25/30 in. lbs.; For PA6-JWI, PA6-JWI-10, PA6D, PA6D-AUS & PA6D-CONT)
	<b>252168</b>	10	Screw (Torque to 35/45 in. lbs.; For PA6-JWI-210, PA6-JWI-275, PA6D2, PA6D2-CONT & PA6D2-MC)
	<b>252952</b>	10	Screw (1/4-20 UNC X 3/4 Lg.; Note: Apply Loctite 242 or equiv.; Torque to 35/40 in. lbs.; For PA6DM-2)
	<b>252952</b>	12	Screw (1/4-20 UNC X 3/4 Lg.; Note: Apply Loctite 242 or equiv.; Torque to 35/40 in. lbs.; For PA6DM-1)
	<b>215952</b>	6	Screw (10-24 X 5/8; Torque to 25/35 in. lbs., oiled; For PA6DM, PA6DM-DE-STA-CO & PA6DM-DES-50)
3	<b>52514</b>	1	Manual Pump Mount Valve (For PA6-JWI, PA6-JWI-10, PA6-JWI-210, PA6-JWI-275, PA6D, PA6DM, PA6DM-DE-STA-CO, PA6DM-1, PA6DM-2, PA6D2, PA6D2-MC & PA6DM-DES-50; See Form #100661)
4	<b>*33853</b>	1	Reservoir Gasket (For PA6-JWI, PA6-JWI-10, PA6D, PA6D-AUS, PA6D-CONT, PA6DE, PA6DM, PA6DM-DE-STA-CO, PA6DN, PA6DV & PA6DM-DES-50)
	<b>*47409</b>	1	Reservoir Gasket (For PA6-JWI-210, PA6-JWI-275, PA6DM-2, PA6D2, PA6D2-CONT, PA6D2-MC, PA6D2E, PA6D2N, PA6D2V)
	<b>46271</b>	1	Reservoir Gasket (For PA6DM-1)
5	<b>61243</b>	1	Reservoir (For PA6-JWI, PA6-JWI-10, PA6D, PA6D-AUS & PA6D-CONT)
	<b>61165</b>	1	Reservoir (2 gal. plastic; For PA6-JWI-210, PA6-JWI-275, PA6D2, PA6D2-CONT & PA6D2-MC)
	<b>40063OR9</b>	1	Reservoir (2 gal. metal; For PA6DM-2)
	<b>41300WH2</b>	1	Reservoir (2 gal. metal; For PA6DM, PA6DM-DE-STA-CO & PA6DM-DES-50)
	<b>64153OR9</b>	1	Reservoir (1 gal. metal; For PA6DM-1)
6	<b>*305494</b>	1	Decal (For PA6-JWI-210, PA6-JWI-275, PA6DM-2, PA6D2, PA6D2-CONT, PA6D2-MC, PA6D2E, PA6D2N, PA6D2V & PA6DM-1)
7	<b>*16684</b>	1	O-ring (1-3/16 X 1" X 3/32; For PA6D, PA6D, PA6D-CONT, PA6DM, PA6DM-DE-STA-CO, PA6DM-1, PA6DM-2, PA6DN, PA6D2, PA6D2-CONT, PA6D2-MC, PA6D2N & PA6DM-DES-50)
	<b>18874</b>	1	O-ring (1-3/16 X 1" X 3/32; For PA6DV & PA6D2V)
	<b>17718</b>	1	O-ring (1-3/16 X 1" X 3/32; For PA6DE & PA6D2E)
	<b>*12779</b>	1	O-ring (15/16 X 13/16 X 1/16; For PA6-JWI, PA6-JWI-10, PA6-JWI-210 & PA6-JWI-275)
8	<b>251689</b>	1	Filler/Breather Cap (For all except PA6-LUAM)
	<b>252642</b>	1	Filler/Breather Cap (For PA6-LUAM)
	<b>18999</b>	2	O-ring (13/16 X 5/8 X 3/32; For PA6DV & PA6D2V)
	<b>250157</b>	2	O-ring (13/16 X 5/8 X 3/32; For PA6DE & PA6D2E)
10	<b>251762</b>	1	Warning Decal (For all except PA6-JWI, PA6-JWI-10, PA6-JWI-210, PA6-JWI-275, PA6D2-CONT & PA6D2-MC)
	<b>251762-CE</b>	1	Warning Decal (For PA6DM-DE-STA-CO)
11	<b>309219CE</b>	2	Decal (For PA6DM-1, PA6DM-2, PA6D2, PA6D2-CONT & PA6D2-MC)
	<b>305496</b>	1	Decal (For PA6D-AUS, PA6DM-DE-STA-CO & PA6DM-DES-50)
	<b>305496CE</b>	1	Decal (For PA6D, PA6D-CONT & PA6DM)
<b>PARTS INCLUDED BUT NOT SHOWN</b>			
	<b>252168</b>	4	Screw (1/4-10 X 1 Lg.; For PA6D2, PA6D2-CONT & PA6D2-MC; For pump mounting purposes only.)
	<b>10479</b>	2	Plug Fitting (1/4 PTF; For PA6D-CONT & PA6D2-CONT)
	<b>210995</b>	1	Decal (Return & Pressure; For PA6D-CONT & PA6D2-CONT)
	<b>251319</b>	1	Plug Fitting (1/4 PTF; For PA6-JWI, PA6-JWI-10, PA6-JWI-210 & PA6-JWI-275)

Part numbers marked with an asterisk (\*) are contained in a Repair Kit.  
See back sheet 4 of 4 for individual repair kit information.



Note: These views may not be exact representations of your pump due to the variation of pumps listed, but all parts have been accounted for and are in this parts list.

Item No.	Part No.	No. Req'd	Description
1	351134BK2	1	Foot Plate (For all except PA6-JWI, PA6-JWI-10, PA6-JWI-210, PA6-JWI-275 & PA6D-AUS)
2	251757	1	Decal (For all except PA6D-CONT, PA6D2-CONT & PA6D2-MC)
3	37199	1	Air Intake Manifold (For all except PA6-JWI, PA6-JWI-10, PA6-JWI-210, PA6-JWI-275, PA6D-CONT, PA6D2-CONT & PA6D2-MC)
	309246	1	Air Intake Manifold (For PA6D-CONT, PA6D2-CONT, PA6D2-MC, PA6-JWI, PA6-JWI-10, PA6-JWI-210 & PA6-JWI-275)
4	421166BK2	1	Cover Plate (For PA6-JWI, PA6-JWI-10, PA6D, PA6D-AUS, PA6D-CONT, PA6DE, PA6DM, PA6DM-DE-STA-CO, PA6DN, PA6DV & PA6DM-DES-50)
	58705BK2	1	Cover Plate (For PA6-JWI-210, PA6-JWI-275, PA6DM-2, PA6D2, PA6D2-CONT, PA6D2-MC, PA6D2E, PA6D2N & PA6D2V)
	58751BK2	1	Cover Plate (For PA6DM-1)
5	11151	6	Screw (10-24 UNC X 1-1/4 Lg.; Torque to 50/60 in. lbs.; For all except PA6D-CONT & PA6D2-CONT)
	11151	2	Screw (10-24 UNC X 1-1/4 Lg.; Torque to 50/60 in. lbs.; For PA6D-CONT & PA6D2-CONT)
	10020	4	Screw (1/4-20 UNC X 1-1/4 Lg.; For PA6D-CONT & PA6D2-CONT; For mounting manifold)
6	58695	1	Manifold (For PA6D, PA6D-AUS, PA6D-CONT, PA6DE, PA6DM, PA6DM-DE-STA-CO, PA6DN, PA6DV & PA6DM-DES-50)
	45837	1	Manifold (For PA6D-CONT & PA6D2-CONT)
	58691	1	Manifold (For PA6-JWI & PA6-JWI-10)
	58692	1	Manifold (For PA6-JWI-210 & PA6-JWI-275)
	58714	1	Manifold (For PA6DM-2, PA6D2, PA6D2-CONT, PA6D2-MC, PA6D2E, PA6D2N & PA6D2V)
	58750	1	Manifold (For PA6DM-1)
7	64767	1	Pump Body
8	17428	4	Screw (1/4-20 UNC X 3-1/2 Lg.; Torque to 85/95 in. lbs., oiled; Note: cross torque in increments of 30 in. lbs.)

**PARTS INCLUDED BUT NOT SHOWN**

11127	2	Plug Fitting (3/8 NPTF)
205724	1	Attention Decal (For PA6DV & PA6D2V)
250328	1	Attention Decal (For PA6DE & PA6D2E)
251762	1	Warning Decal

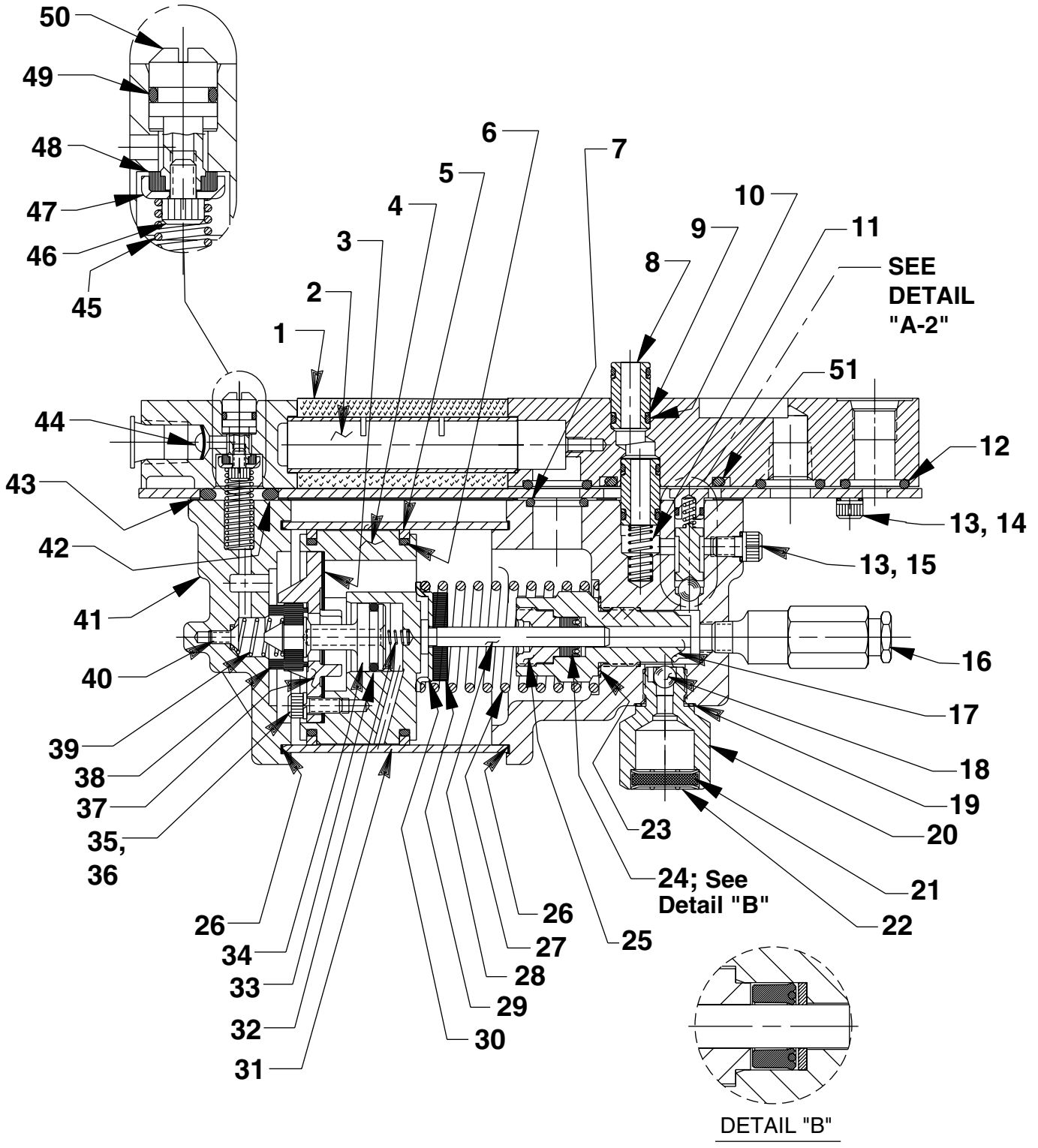
Part numbers marked with an asterisk (\*) are contained in a Repair Kit. See back sheet 4 of 4 for individual repair kit information.

Sheet No. 2 of 4

Rev. 11 Date: 18 Aug 2003

### BASIC PUMP ASSEMBLY

Note: These views may not be exact representations of your pump due to the variation of pumps listed, but all parts have been accounted for and are in this parts list.



Item No.	Part No.	No. Req'd	Description	Item No.	Part No.	No. Req'd	Description
1	*29992	1	Foam Tube				relief valve. See note below. Apply
2	28387	1	Muffler				loctite 592 [Power Team #905516] or
3	*28239	1	Gasket				equiv. & torque to 150/170 in. lbs.)
4	52390	1	Piston Body	17	45278	1	Piston Cylinder (Torque to 90/100 ft.
5	*14265	2	Piston Ring				lbs. oiled)
6	*251835	2	O-ring (2-5/16 x 2-1/8 x 3/32; For all except PA6DE, PA6DV, PA6D2E & PA6D2V)	18	*10375	1	Ball (1/4 Dia.; For PA6-JWI, PA6-JWI- 10, PA6D, PA6D-AUS, PA6D-CONT, PA6DE, PA6DM, PA6DM-DE-STA-CO, PA6DM-1, PA6DN, PA6DV & PA6DM- DES-50)
	251865	2	O-ring (2-5/16 x 2-1/8 x 3/32; For PA6DV & PA6D2V)		*10423	1	Ball (9/32 Dia.; For all except PA6-JWI, PA6-JWI-10, PA6D, PA6D-AUS, PA6D-CONT, PA6DE, PA6DM, PA6DM-DE-STA-CO, PA6DM-1, PA6DN & PA6DV)
	251866	2	O-ring (2-5/16 x 2-1/8 x 3/32; For PA6DE & PA6D2E)	19	*10261	1	Special Washer (3/4 X 19/32 X 1/32)
7	*10272	1	O-ring (3/4 X 9/16 X 3/32; For all except PA6DE, PA6DV, PA6D2E & PA6D2V)	20	308893	1	Filter Adapter (Torque to 40/50 ft. lbs., oiled; For PA6-JWI, PA6-JWI-10, PA6D, PA6D-AUS, PA6D-CONT, PA6DE, PA6DM, PA6DM-DE-STA-CO, PA6DM-1, PA6DN, PA6DV & PA6DM- DES-50; See sheet 4 of 4 for pumps with 2 gal. reservoirs.)
	18998	1	O-ring (3/4 X 9/16 X 3/32; For PA6DV & PA6D2V)	21	214578	1	Filter (For all reservoir sizes except 2 gal. reservoirs built after June 1, 1998)
	250194	1	O-ring (3/4 X 9/16 X 3/32; For PA6DE & PA6D2E)	22	214586	1	Retaining Ring (.63 X .015; For all reservoir sizes except 2 gal. reservoirs built before June 1, 1998; PA6-JWI- 210, PA6-JWI-275, PA6D, PA6D-AUS, PA6DM, PA6DM-DE-STA-CO, PA6DM-1 & PA6DM-DES-50)
8	21094	2	Bushing		214586	2	Retaining Ring (.63 X .015; For all reservoir sizes except 2 gal. reservoirs built after June 1, 1998; For PA6-JWI- 210, PA6-JWI-275, PA6D, PA6D-AUS, PA6DM, PA6DM-DE-STA-CO, PA6DM-1 & PA6DM-DES-50)
9	*11863	4	Backup Washer (1/2 X 3/8 X 1/16)	23	10263	1	Special Washer (1" X .765 X 1/32)
10	*10268	4	O-ring (1/2 X 3/8 X 1/16; For all except PA6DV, PA6DE, PA6D2E & PA6D2V)	24	*13934	1	U-cup & Backup
	19775	4	O-ring (1/2 X 3/8 X 1/16; For PA6DV & PA6D2V)	25	*304295	1	Retainer (See "INSTRUCTIONS FOR RETAINER REPLACEMENT" on back sheet 4 of 4.)
	17716	4	O-ring (1/2 X 3/8 X 1/16; For PA6DE & PA6D2E)	26	*17429	2	Backup Washer (2-15/16 X 2-3/4 X .045)
11	*16448	1	Spring (5/16 O.D. x 13/16 Lg.)	27	*13938	1	Spring (1.452 O.D. X 4-7/16 Lg.)
12	*10276	2	O-ring (1" X 3/4 X 1/8; For PA6-JWI- 210, PA6-JWI-275, PA6DM-2, PA6D2, PA6D2-CONT, PA6D2-MC & PA6D2N)	28	28226	1	Piston
	*10276	3	O-ring (1" X 3/4 X 1/8; For PA6-JWI, PA6D, PA6D-AUS, PA6D-CONT, PA6DM, PA6DM-DE-STA-CO, PA6DM-1, PA6DN & PA6DM-DES-50)	29	203143	1	Bumper
	*10276	4	O-ring (1" X 3/4 X 1/8; For PA6-JWI-10)	30	210994	1	Spring Guide
	19026	3	O-ring (1" X 3/4 X 1/8; For PA6DV)				
	19026	2	O-ring (1" X 3/4 X 1/8; For PA6D2V)				
	250188	4	O-ring (1" X 3/4 X 1/8; For PA6DE)				
	250188	2	O-ring (1" X 3/4 X 1/8; For PA6D2E)				
13	*10442	1	Special Washer (3/8 X 1/4 X 1/32; For PA6-JWI-210, PA6-JWI-275, PA6DM-2, PA6D2, PA6D2-CONT, PA6D2-MC, PA6D2E, PA6D2N & PA6D2V)				
	*10442	2	Special Washer (3/8 X 1/4 X 1/32; For all except PA6-JWI-210, PA6-JWI- 275, PA6DM-2, PA6D2, PA6D2- CONT, PA6D2-MC, PA6D2E, PA6D2N & PA6D2V)				
14	10807	1	Screw (1/4-20 UNC X 1/2 Lg.; For PA6-JWI, PA6-JWI-10, PA6D, PA6D- AUS, PA6D-CONT, PA6DE, PA6DM, PA6DM-DE-STA-CO, PA6DN-1, PA6DN, PA6DV & PA6DM-DES-50)				
15	10002	1	Screw (1/4-20 UNC X 3/8 Lg.; Torque to 90/110 in. lbs.)				
16	-----	-	Relief Valve (When ordering a replacement relief valve refer to stamped number on the outside of the				

## CONTINUED

Part numbers marked with an asterisk (\*) are contained in a Repair Kit. See back sheet 4 of 4 for individual repair kit information.

31 37434 1 Air Cylinder (Note: Locate groove on upper half (top) of pump with chamfered tube end towards rear head as shown.)

**NOTE: Standard relief valves are set at 10,100/10,700 PSI.  
Relief valves pre-set at special settings are available.  
Refer to your pump model number or contact  
Power Team Technical Services.**

Sheet No. 3 of 4

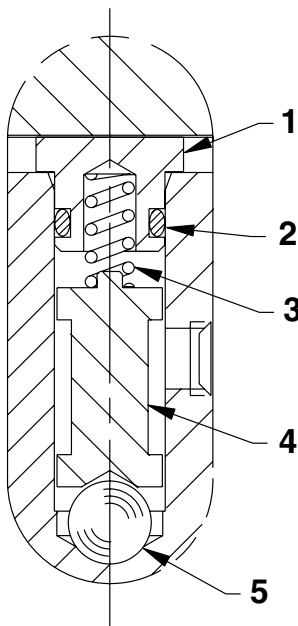
Rev. 11 Date: 18 Aug 2003

# Parts List, Form No. 101950, Back sheet 3 of 4

Item No.	Part No.	No. Req'd	Description	Item No.	Part No.	No. Req'd	Description
32	*12692	1	Spring (3/16 O.D. X 1-11/16 Lg.)				PA6-JWI, PA6-JWI-10, PA6-JWI-210, PA6-JWI-275, PA6D-CONT, PA6D2-CONT & PA6D2-MC)
33	*211052	1	O-ring (.900 X .706 X .097; For all except PA6DE, PA6DV, PA6D2E & PA6D2V)	49	*10267	1	O-ring (7/16 X 5/16 X 1/16; For PA6D, PA6D-AUS, PA6DM, PA6DM-DE-STACO, PA6DM-1, PA6DM-2, PA6DN, PA6D2, PA6D2N & PA6DM-DES-50)
	250192	1	O-ring (.900 X .706 X .097; For PA6DV & PA6D2V)		18974	1	O-ring (7/16 X 5/16 X 1/16; For PA6DV & PA6D2V)
	250193	1	O-ring (.900 X .706 X .097; For PA6DE & PA6D2E)		13472	1	O-ring (7/16 X 5/16 X 1/16; For PA6DE & PA6D2E)
34	305475	1	Exhaust Valve Stem	50	33841	1	Actuator Button (For all except PA6-JWI, PA6-JWI-10, PA6-JWI-210, PA6-JWI-275, PA6D-CONT, PA6D2-CONT & PA6D2-MC)
35	*10241	3	Lockwasher (For #10 bolt)	51	*11841	1	O-ring (1.62 x 1.37 Nitrile, For all except PA6DV, PA6DE, PA6D2E & PA6D2V)
36	211054	3	Screw (#10-24 X 1/2 Lg.; Torque to 50/55 in. lbs.)		19035	1	O-ring (1.62 x 1.37 Nitrile, For PA6DV & PA6D2V)
37	33822	1	Piston End Plate Casting		251695	1	O-ring (1.62 x 1.37 Nitrile, For PA6DE & PA6D2E)
38	*28183	1	Piston Poppet	<b>PARTS INCLUDED BUT NOT SHOWN</b>			
39	*205679	1	Spring (.485 O.D. X .915 Lg.)	14972	1	Plug Fitting (1/4 PTF; Replaces air pressure valve; For PA6D-CONT, PA6D2-CONT & PA6D2-MC)	
40	*205674	1	Screw (8-32 UNC X 3/8 Lg.; Torque to 12/18 in. lbs.)	15024	1	Straight Fitting (1/4 PTF; For PA6-JWI & PA6-JWI-10)	
41	51480	1	Rear Head				
42	*251717	1	O-ring (1" x 5/8 x 3/16; For all except PA6DE, PA6DV, PA6D2E & PA6D2V)				
	251718	1	O-ring (1" x 5/8 x 3/16; For PA6DV & PA6D2V)				
	251719	1	O-ring (1" x 5/8 x 3/16; For PA6DE & PA6D2E)				
43	351021	1	Gasket				
44	*216296	1	Filter Disc				
45	12691	1	Spring (3/8 O.D. X 1-1/2 Lg.; For all except PA6-JWI, PA6-JWI-10, PA6-JWI-210, PA6-JWI-275, PA6D-CONT, PA6D2-CONT & PA6D2-MC)				
46	13936	1	Screw (8-32 UNC x 1/4 Lg.; For all except PA6-JWI, PA6-JWI-10, PA6-JWI-210, PA6-JWI-275, PA6D-CONT, PA6D2-CONT & PA6D2-MC)				
47	28198	1	Seal Guide (For all except PA6-JWI, PA6-JWI-10, PA6-JWI-210, PA6-JWI-275, PA6D-CONT, PA6D2-CONT & PA6D2-MC)				
48	*28182	1	Air Valve Poppet (For all except				

Part numbers marked with an asterisk (\*) are contained in a Repair Kit see back sheet 4 of 4 for individual repair kit information.

## DETAIL "A-2"



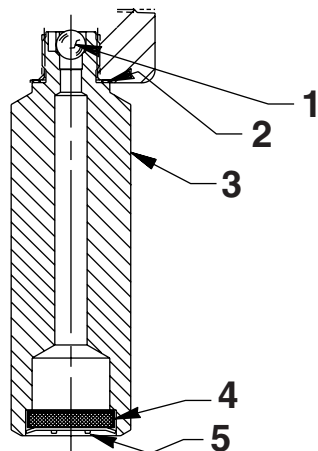
Item No.	Part No.	No. Req'd	Description
1	36497	1	Check Valve Retainer
2	*211053	1	O-ring (3/8 X 1/4 X 1/16; For all except PA6DE, PA6DV, PA6D2E & PA6D2V)
	11438	1	O-ring (3/8 X 1/4 X 1/16; For PA6DV & PA6D2V)
	17715	1	O-ring (3/8 X 1/4 X 1/16; For PA6DE & PA6D2E)
3	*10445	1	Spring (5/32 O.D. X 3/4 Lg.)
4	202568	1	Ball Guide
5	*10423	1	Ball (9/32 Dia.)

Part numbers marked with an asterisk (\*) are contained in a Repair Kit see back sheet 4 of 4 for individual repair kit information.



**FILTER ADAPTER ASSEMBLIES BEFORE 6/1/98**

For 2 Gallon Reservoirs Only



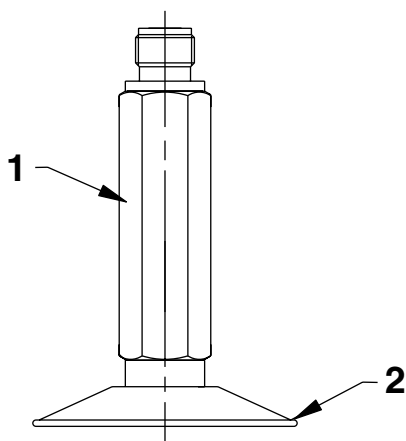
Item No.	Part No.	No. Req'd	Description
1	*10423	1	Ball (9/32 Dia.)
2	*10261	1	Special Washer (3/4 x 19/32 x 1/32)
3	48007	1	Filter Adapter (Torque to 40/50 ft. lbs., oiled; For PA6DM-2, PA6D2, PA6D2-CONT, PA6D2-MC, PA6D2E, PA6D2N & PA6D2V)
	48008	1	Filter Adapter (Torque to 40/50 ft. lbs., oiled; For PA6-JWI-210 & PA6-JWI-275)
4	214578	1	Filter
5	214586	1	Retaining Ring (.63 x .015)

Part numbers marked with an asterisk (\*) are contained in a Repair Kit see back sheet 4 of 4 for individual repair kit information.

**FILTER ADAPTER ASSEMBLIES AFTER 6/1/98**

For 2 Gallon Reservoirs Only

(Reference Part Numbers 48007 or 48008)



Item No.	Part No.	No. Req'd	Description
1	422016	1	Filter Adapter (For 48007)
	422017	1	Filter Adapter (For 48008)
2	29682	1	Filter

## REPAIR KITS

### No. 300844

PA6D  
PA6D-AUS  
PA6DM  
PA6DM-1  
PA6DM-DE-STA-CO  
PA6DN  
PA6DM-DES-50

### No. 300845

PA6-JWI-210  
PA6-JWI-275  
PA6D2-CONT  
PA6D2-MC

### No. 300847

PA6-JWI  
PA6-JWI-10  
PA6D-CONT

### No. 300850

PA6D2  
PA6DM-2  
PA6D2N

## INSTRUCTIONS FOR RETAINER REPLACEMENT

Your pump's retainer is locked into place by one of the two following methods. Determine which method was used on your pump's retainer, then follow the appropriate steps to remove the old and install and stake the new.

### Method 1 - Retainer shows no sign of stake marks

1. This retainer has been locked in place with a Loctite product. To replace it, a moderate amount of heat needs to be applied to the cylinder nut (in the area of the retainer) to soften the existing Loctite allowing it to be removed.
2. Install the new retainer into the cylinder nut and torque to 80/100 in. lbs. **Note: Do not use a Loctite product this time but stake the new retainer in place according to instructions in Step 3.**
3. To lock retainer into place, use a center punch positioned in the seam between the retainer and the cylinder nut and stake the new retainer in two places approximately 180° apart.

### Method 2 - Retainer has two stake marks in the seam between the retainer and the cylinder nut

1. For replacement of this retainer, the stake marks must be removed. Using a 1/8" or larger diameter drill bit, remove the existing stakes by drilling a short distance into the stake marks. Remove the retainer.
2. Install the new retainer into the cylinder nut and torque to 80/100 in. lbs.
3. To lock retainer into place, use a center punch positioned in the seam between the retainer and the cylinder nut and stake the new retainer in two places approximately 180° apart.

**NOTE: Do not stake in the old stake marks.**

