

**Assembly &  
Operating Instructions**

for: SPM1014-PE102 1830

1829

SP10 (Model B)  
SPM1010 (Model B)

## Bench Press

Max. Capacity: 10 Ton (88.96 k•N)

### Safety Precautions

**WARNING: To prevent personal injury,**

- Operators must read and carefully follow these operating and safety precautions before assembling or using this press. Most problems with new equipment are caused by incorrect operation or assembly.



- Operators must read and carefully follow the operating and safety precautions for the pump and ram used with this press.

- The owner of the press must see that it is installed and operated in accordance with federal (OSHA), state, and local safety standards.

- Locate the press in an isolated area or shield it to minimize danger to others; high hydraulic pressure can cause materials to break, possibly causing personal injury.

- Wear protective eyewear that meets the requirements of ANSI Z87.1 and OSHA.

- Because this is a general purpose press which may be used in many different applications over a short period of time, it is not possible for the manufacturer to provide practical, "all- purpose" shielding. The owner of the press must fabricate such shielding as is practical and necessary for a particular application. A certain degree of safety is afforded by wrapping the work in heavy cloth, such as canvas, before applying pressure.
- Work pieces must be well supported and aligned so that when pressure is exerted, parts being "pressed" do not slip out or break.
- To prevent accidental slippage, do not place work pieces on the press bed, or apply hydraulic force, until all bolster pins are in place and all tension has been removed from the bolster lift cables.
- Do not overstress adapters. Any pushing or pulling adapters used with this press must have a maximum tonnage rating equal to or higher than the maximum tonnage rating of the press, or breakage may occur.
- User must ensure that all safety related decals are installed, maintained, and replaced when they become hard to read.
- This press is designed for shop maintenance applications. For information regarding other applications, contact Technical Services.
- This press can exert extremely high forces at moderate hydraulic pump pressure. If you have any questions concerning how much force is exerted at a given pressure, contact Technical Services.

## Assembly

**IMPORTANT:** During assembly of the press, hand tighten nuts and bolts unless otherwise directed. Wrench tighten after assembly is completed.

Assemble the 10 ton (88.96 k•N) bench press as shown on Figure 1. Securely tighten the eight 1/2" bolts which fasten the press together.

### Hydraulic Assembly

1. Compare parts list #100550 to your individual press number to determine if all the press parts are included.

**IMPORTANT:** Screw the ram into the ram mounting plate until the ram threads are flush with the bottom of the mounting plate (full plate thread engagement).

2. Remove pipe plug from ram, and install straight union fitting into ram.
3. Assemble ram into mounting plate with fitting facing pump side of press.

### Pumps

1. Air driven pumps and foot- or hand-operated pumps can be positioned on the shop bench or floor for the convenience of the operator.
2. Refer to the instructions for the specific OTC pump model being used for more complete hydraulic hookup information.

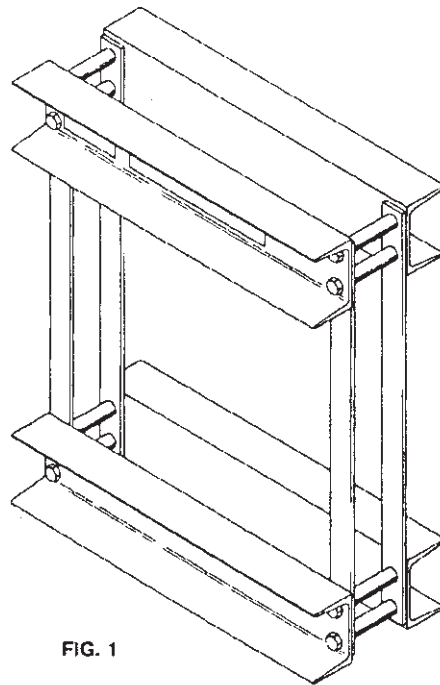


FIG. 1