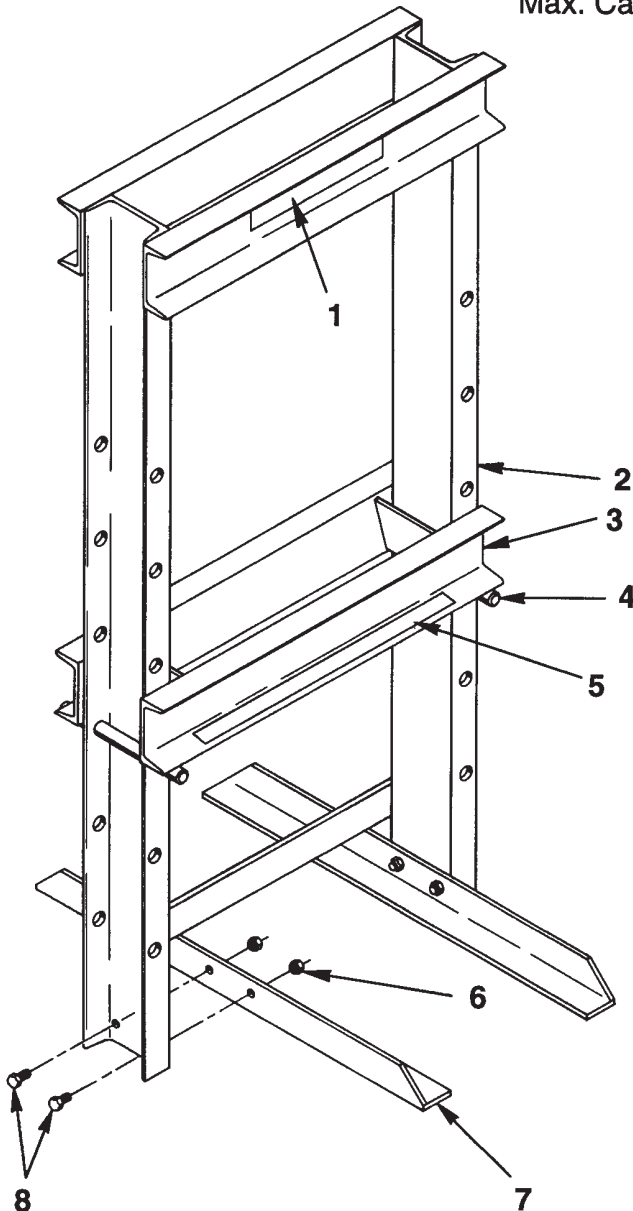


## Shop Press

Max. Capacity: 10 Tons



### Parts List

Item No.	Part No.	No. Req'd	Description
1	421620	1	Decal
2	63097	1	Press Frame
3	314337OR9	1	Lower Bolster
4	302447	2	Pin
5	46895	1	Warning Decal
6	10204	4	Hex Nut ( $3/8$ -16)
7	309084	2	Foot Angle
8	10049	4	Hex Hd. Cap Screw ( $3/8$ -16)

### Assembly Instructions

1. Place the frame assembly on the floor in a horizontal position. Slide the lower bolster onto the frame assembly from the bottom. Insert a pin through the closest hole on each side under the desired bolster position.
2. Assemble a foot angle to the bottom of each upright using  $3/8$ " cap screws and nuts.
3. Lift the press to a vertical position.

Refer to any operating instructions included with the product for detailed information about operation, testing, disassembly, reassembly, and preventive maintenance.

Items found in this parts list have been carefully tested and selected.  
**Therefore: Use only genuine replacement parts!**

Additional questions can be directed to our Technical Services Dept.

Sheet No. 1 of 1

Rev. Date: 20 Mar. 1998