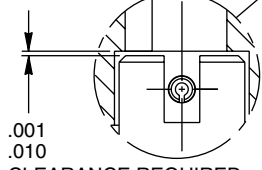
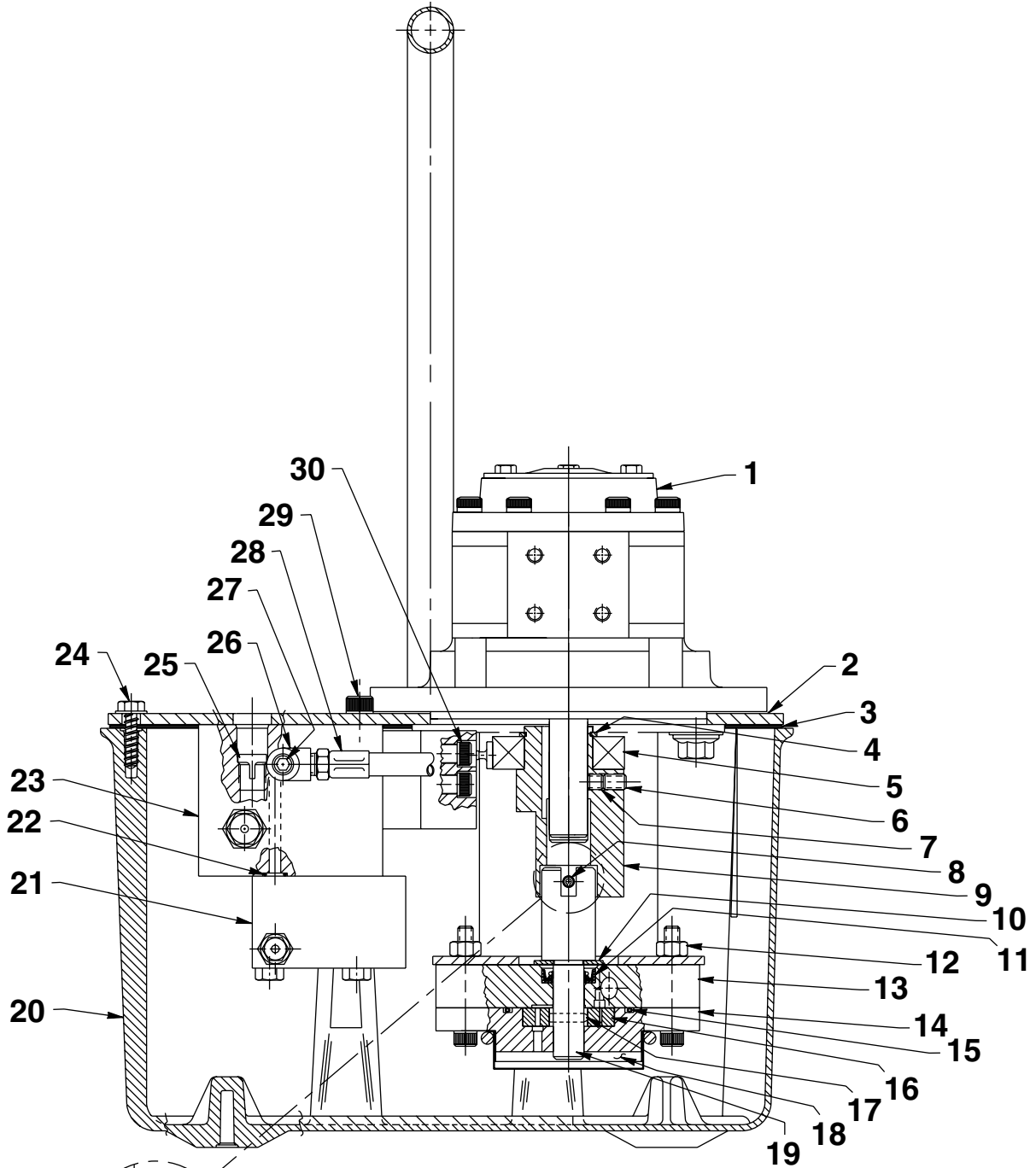


**MODEL B
HYDRAULIC PUMP**

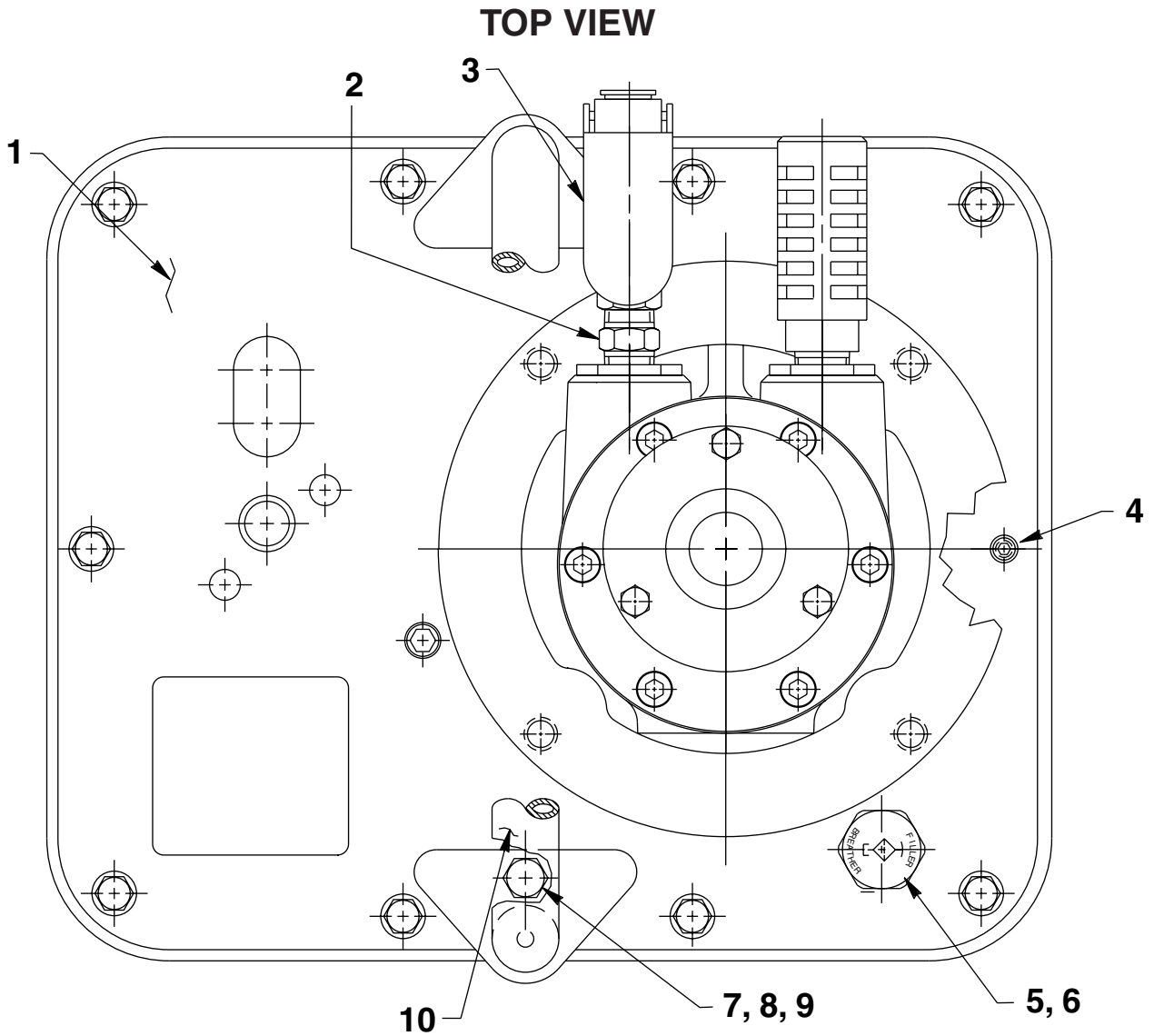


Parts List, Form No. 108164, Back sheet 1 of 5

Item No.	Part No.	No. Req'd	Description
1	66485	1	Air Motor (See Form No. 108172)
2	351060	1	Gasket
3	*40164	1	Cover Gasket
4	209798	1	Retaining Ring (1-3/16 Shaft)
5	209805	1	Ball Bearing
6	10519	1	Set Screw (Torque to 60/80 in. lbs.)
7	10136	1	Set Screw (Torque to 60/80 in. lbs.)
8	10973	1	Slotted Spring Pin
9	45596	1	Eccentric
10	12595	1	Brass Washer (1/2 Bolt)
11	*304830	1	Seal
	†250156	1	Seal
12	10199	2	Nut
13	61170	1	Upper Gerotor Housing
14	61169	1	Lower Gerotor Housing
15	*10922	1	O-ring (2-1/8 X 1-15/16 X 3/32)
	†250158	1	O-ring (2-1/8 X 1-15/16 X 3/32)
16	304826	1	Gerotor Set
17	209794	1	Gerotor Drive Pin
18	21846	1	Filter Support
19	304835	1	Drive Shaft
20	61165	1	Reservoir
21	52167	1	Automatic Valve Block
22	*10266	1	O-ring (3/8 X 1/4 X 1/16)
	†17715	1	O-ring (3/8 X 1/4 X 1/16)
23	61167	1	Check Body
24	209799	AR	Self-Tapping Screw (1/4-10 X 7/8 Lg.; Torque to 50/60 in. lbs.)
	10177	10	Screw (1/4-20 UNC X 3/4 Lg.; For pumps with metal reservoirs.)
25	209795	1	Outlet Ball Stop
26	19463	1	Tee Fitting
27	10427	1	Pipe Plug (1/8 NPTF)
28	304819	1	Hose Ass'y
29	10030	1	Cap Screw (5/16-18 UNC X 3/4 Lg.; Torque to 220/240 in. lbs.)
30	10022	4	Cap Screw (1/4-20 UNC X 1-1/2 Lg.; Torque to 110/130 in. lbs.)

Part numbers marked with an asterisk (*) are contained in Repair Kit No. 300430.
Part numbers marked with a dagger (†) are contained in EPR Seal Kit No. 300648.

AR: As Required



Item No.	Part No.	No. Req'd	Description
1	61166BK2	1	Cover Plate
2	12328	1	Straight Fitting
3	13645	1	2-way Closed Air Valve
4	15668	1	Set Screw (1/4-20 x 1/2 lg.;
			Note: Turn in until approximately flush with cover plate.)
5	20937	1	Filler/Vent Plug
6	200415	1	Rubber Seal
	†17723	1	Rubber Seal
7	10009	2	Cap Screw (1/4-20 UNC X 3/4 Lg.; Torque to 60/80 in. lbs.)
8	10245	2	Lockwasher (1/4 Bolt)
9	10199	2	Nut
10	47492	1	Handle

PARTS INCLUDED BUT NOT SHOWN

†250328	1	Decal (EPR Seals)
†11278	1	Tube Elbow
†15061	1	Male Connector
†251229	1	Oil Line

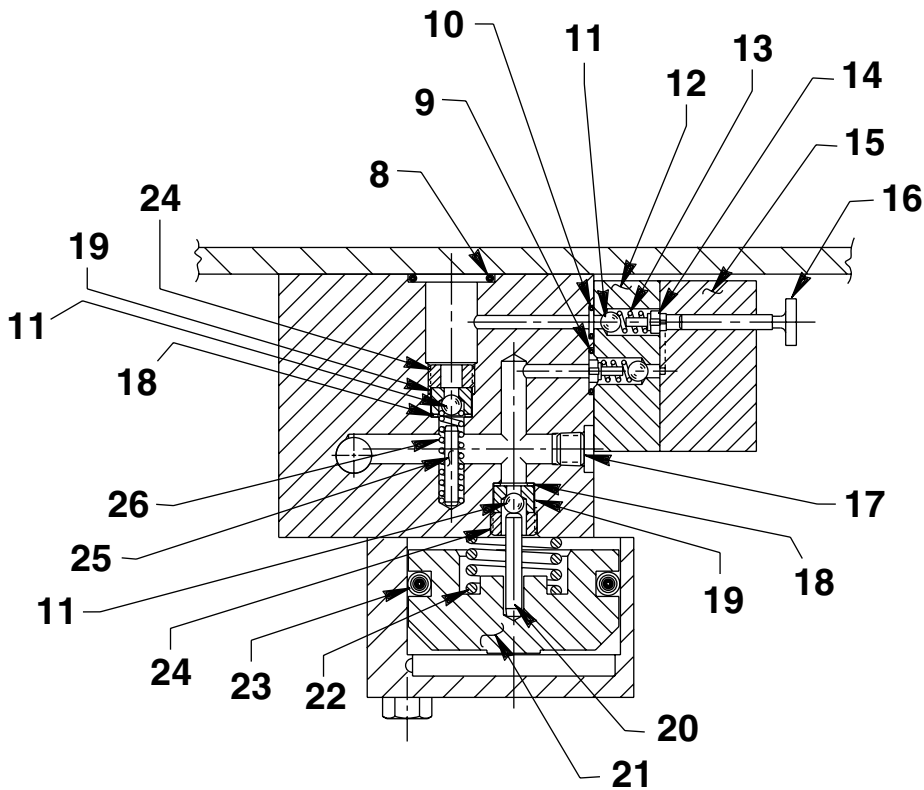
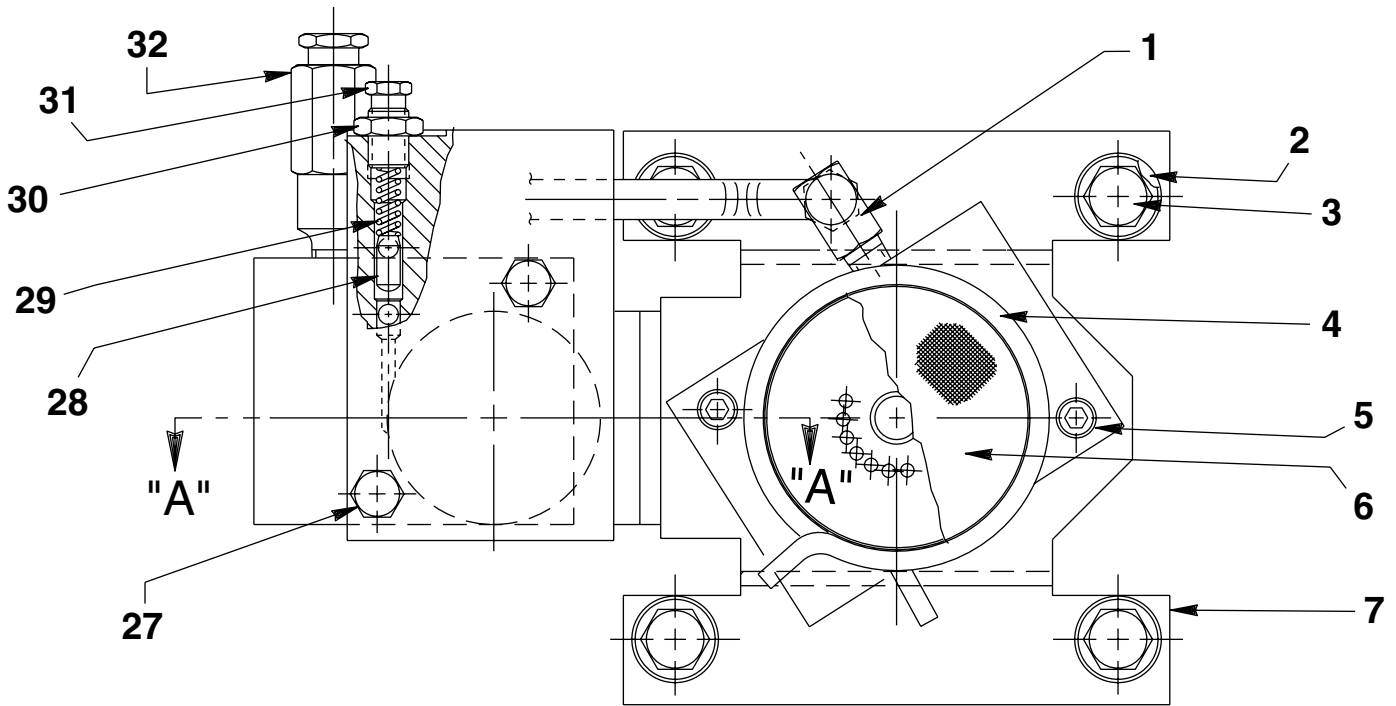
Part numbers marked with an asterisk (*) are contained in Repair Kit No. 300430.

Part numbers marked with a dagger (†) are contained in
EPR Seal Kit No. 300648.

Sheet No. 2 of 5

Rev. Date: 5 Feb. 2001

BOTTOM VIEW & SECTION A-A



SECTION A-A

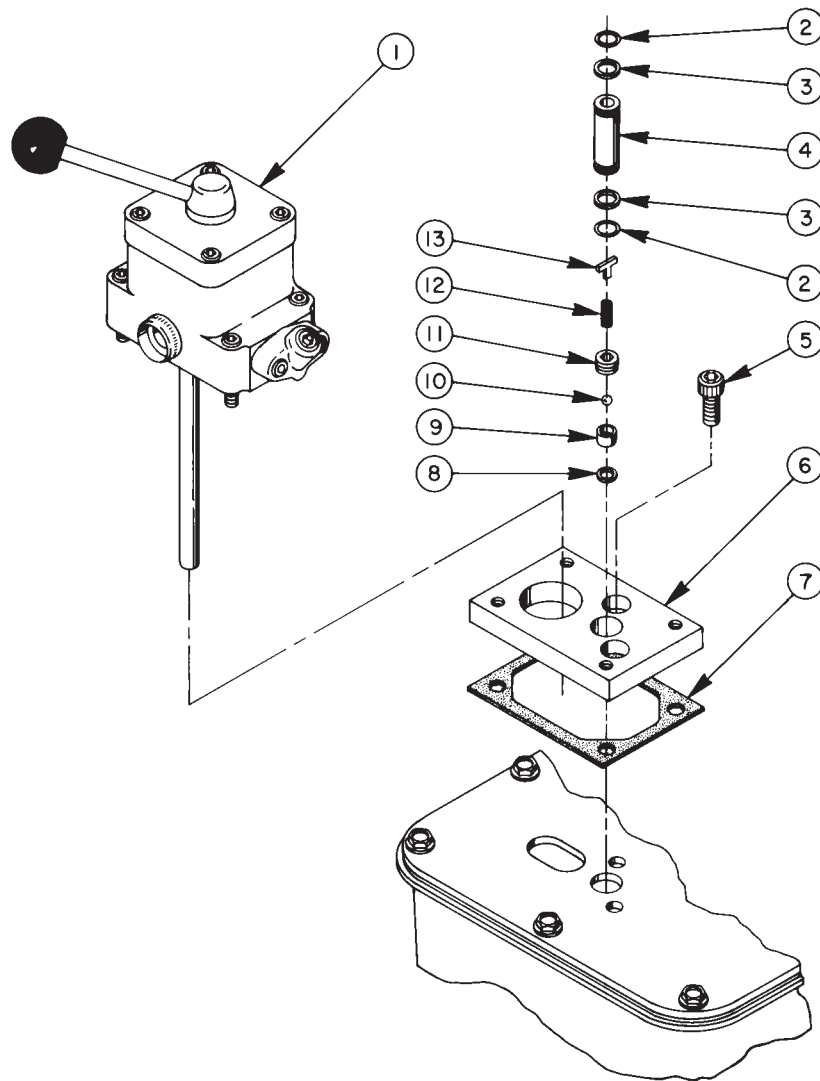
Item No.	Part No.	No. Req'd	Description
1	14440	1	Elbow Fitting
2	10258	8	Washer (For 3/8 bolt)
3	213663	4	Cap Screw (3/8-16 UNC X 1" Lg.; Torque to 230/250 in. lbs.)
4	11461	1	Hose Clamp
5	10854	2	Screw (1/4-20UNC X 1-3/4 Lg.; Torque to 60/80 in. lbs.)
6	21608	1	Filter
7	52174	1	Pump Mounting Bracket
8	*10273	1	O-ring (13/16 X 5/8 X 3/32; Nitrile)
	†18999	1	O-ring (13/16 X 5/8 X 3/32; Viton)
	•250157	1	O-ring (13/16 X 5/8 X 3/32; EPR)
9	*14763	1	O-ring (7/16 X 5/16 X 1/16; Nitrile)
	†18974	1	O-ring (7/16 X 5/16 X 1/16; Viton)
	•13472	1	O-ring (7/16 X 5/16 X 1/16; EPR)
10	*10265	1	O-ring (5/16 X 3/16 X 1/16; Nitrile)
	†11437	1	O-ring (5/16 X 3/16 X 1/16; Viton)
	•17714	1	O-ring (5/16 X 3/16 X 1/16; EPR)
11	12223	4	Ball (3/16 Dia.)
12	45559	1	Block
13	10445	2	Compression Spring (5/32 O.D. X 3/4 Lg.)
14	24549	2	Ball Guide
15	45560	1	Block
16	304820	1	Piston
17	15130	1	Plug Fitting
18	10442	2	Copper Washer (3/8 X 1/4 X 1/32)
19	209787	2	Replaceable Seat
20	211843	1	Dowel Pin (3/16 Dia. X 1" Lg.; Note: Install with radius end out.)
21	46063	1	Piston
22	16346	1	Compression Spring (1" O.D. X 7/8 Lg.)
23	*10283	1	O-ring (2" X 1-5/8 X 3/16; Nitrile)
	†19062	1	O-ring (2" X 1-5/8 X 3/16; Viton)
	•250159	1	O-ring (2" X 1-5/8 X 3/16; EPR)
24	209797	2	Hollow Lock Screw (7/16-20 UNF-3A; Torque to 180/200 in. lbs.)
25	12149	1	Dowel Pin (1/8 Dia. X 3/4 Lg.)
26	16057	1	Compression Spring (3/16 O.D. X 1" Lg.)
27	13037	2	Cap Screw (1/4-20 UNC X 2" Lg.; Torque to 40/50 in. lbs.)
28	15156	1	Dowel Pin (1/4 Dia. X 1/2 Lg.; Note: Install tapered end toward spring.)
29	11221	1	Compression Spring (1/4 O.D. X 1" Lg.)
30	10386	1	Jam Nut (3/8-24 UNF)
31	29786	1	Adjusting Nut (Low Pressure Relief Valve)
32	21278	1	Relief Valve Assembly (Set at 10,100/10,700 PSI)

Part numbers marked with an asterisk (*) are contained in Repair Kit No. 300430.

Part numbers marked with a dagger (†) are contained in
EPR Seal Kit No. 300648.

OPTIONAL VALVE ASSEMBLIES

4-Way Tandem Center Directional Valve



Item No.	Part No.	No. Req'd	Description
1	9500	1	4-Way Valve Ass'y (see Form No. 100623)
2	•*10268	2	O-ring (1/2 X 3/8 X 1/16)
	†17716	2	O-ring (1/2 X 3/8 X 1/16)
3	•*11863	2	Backup Washer (1/2 X 3/8 X 1/16)
4	209809	1	Coupling
5	10030	2	Cap Screw (5/16-18 UNC X 3/4 Lg.; Torque to 220/240 in. lbs.)
6	52165	1	Adapter Block Manifold

Item No.	Part No.	No. Req'd	Description
7	*200395	1	Gasket
8	•*10442	1	Copper Washer (1/4 Bolt)
9	•*209787	1	Replaceable Seat
10	•*12223	1	Steel Ball (3/16 Dia.)
11	209797	1	Hollow Lock Screw (7/16-20 UNF-3A; Torque to 110/130 in. lbs.)
12	*211797	1	Compression Spring (5/32 O.D. X 5/8 Lg.)
13	•209795	1	Outlet Ball Stop

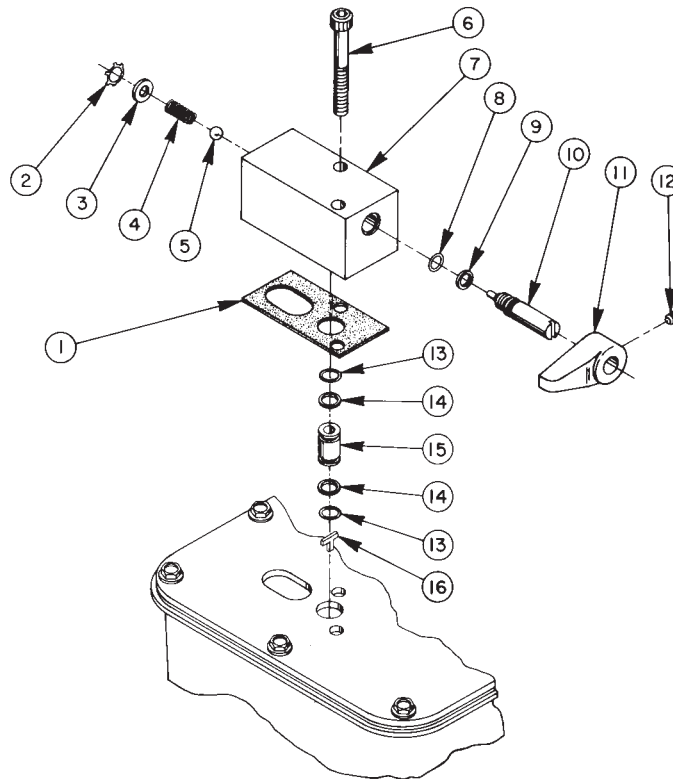
Part numbers marked with an asterisk (*) are contained in Repair Kit No. 300430.

Part numbers marked with a dagger (†) are contained in EPR Seal Kit No. 300648.

Part numbers marked with a bullet (•) are contained in Outlet Check Repair Kit No. 300606.

OPTIONAL VALVE ASSEMBLIES

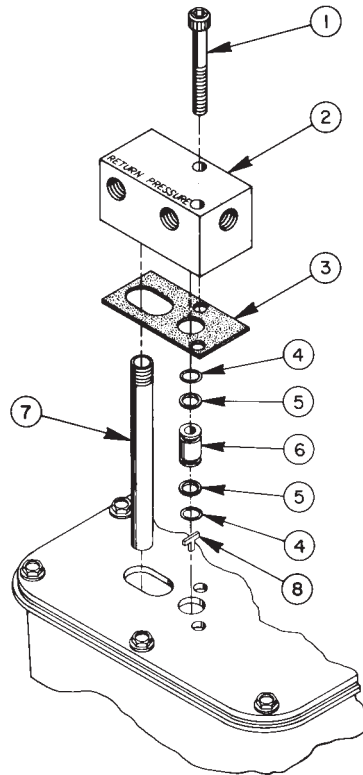
2 Position, 2-Way Manual Valve



Item No.	Part No.	No. Req'd	Description	Item No.	Part No.	No. Req'd	Description
1	*304829	1	Gasket	10	304849	1	Release Valve Screw
2	*11088	1	Retaining Ring (9/16 Shaft)	11	213109	1	Release Valve Handle
3	11089	1	Washer (3/16 Bolt)	12	10556	1	Set Screw (1/4-20 UNC X 1/4 Lg.; Torque to 30/50 in. lbs.)
4	*11024	1	Compression Spring (1/4 O.D. X 5/8 Lg.)	13	*10268	2	O-ring (1/2 x 3/8 X 1/16)
5	*10423	1	Steel Ball (9/32 Dia.)	†17716		2	O-ring (1/2 x 3/8 X 1/16)
6	209945	2	Cap Screw (5/16-18 UNC X 2-1/2 Lg.; Torque to 220/240 in. lbs.)	14	*11863	2	Backup Washer (1/2 X 3/8 X 1/16)
7	52168	1	Valve Body	15	202505	1	Coupling
8	*10267	1	O-ring (7/16 X 5/16 X 1/16)	16	209795	1	Outlet Ball Stop (Part of the Basic Pump Ass'y)
	†13472	1	O-ring (7/16 X 5/16 X 1/16)		52170	1	Complete Valve Ass'y (Consists of Items 1 thru 15)
9	*15085	1	Backup Washer (7/16 X 5/16 X 3/64 Thk.)				

Part numbers marked with an asterisk (*) are contained in Repair Kit No. 300430.
Part numbers marked with a dagger (†) are contained in EPR Seal Kit No. 300648.

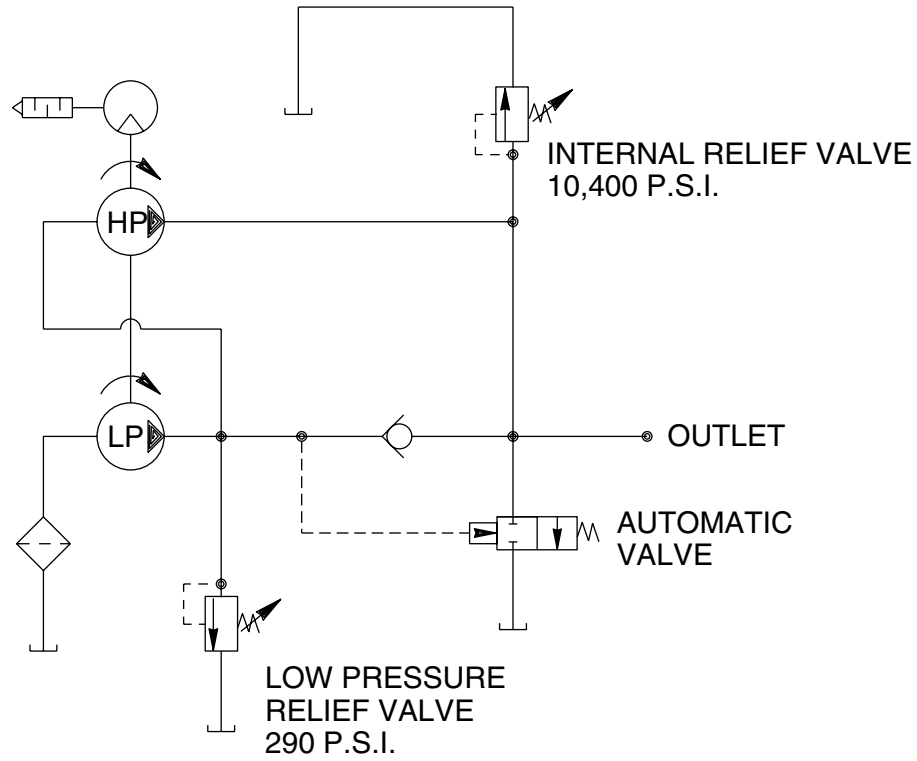
MANIFOLD ASSEMBLY



Item No.	Part No.	No. Req'd	Description	Item No.	Part No.	No. Req'd	Description
1	209945	2	Cap Screw (5/16-18 UNC X 2-1/2 Lg.; Torque to 220/240 in. lbs.)	5	*11863	2	Backup Washer (1/2 X 3/8 X 1/16)
2	45554	1	Manifold	6	202505	1	Coupling
3	*304829	1	Gasket	7	200609	1	Drain Line
4	*10268	2	O-ring (1/2 X 3/8 X 1/16)	8	209795	1	Outlet Ball Stop (Part of the Basic Pump Ass'y)
	†17716	2	O-ring (1/2 X 3/8 X 1/16)				

Part numbers marked with an asterisk (*) are contained in Repair Kit No. 300430.
 Part numbers marked with a dagger (†) are contained in EPR Seal Kit No. 300648.

HYDRAULIC SCHEMATIC



NOTE: MEASURED AT 19463 FITTING.

Refer to any operating instructions included with this product for detailed information about operation, testing, disassembly, reassembly, and preventive maintenance.

Items found in this parts list have been carefully tested and selected. **Therefore: Use only genuine Power Team replacement parts!**

Additional questions can be directed to our Technical Services Department.