

# PANCAKE CYLINDERS

## Locking Collar

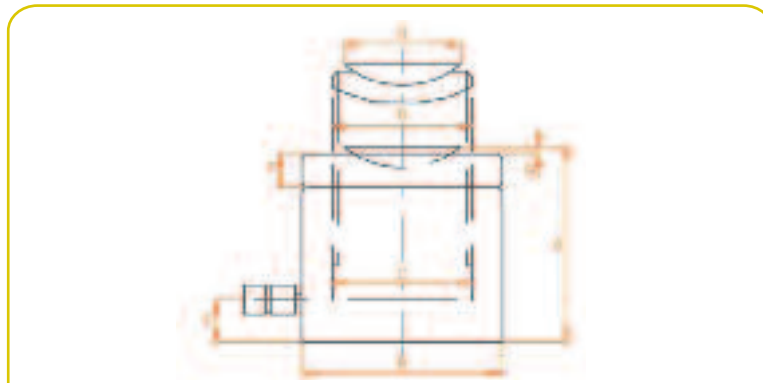
RC Series 55 & 620 Ton  
Single- Acting, Load-Return

### POSITIVE MECHANICAL LOCK TO SUPPORT LOAD.

- Compact design - for use where space is limited.
- Locking collar designed to support lifted load for extended periods of time with hydraulic pressure released.
- Integral tilt saddle standard improves performance under side load.
- Overflow port (“weep hole”) prevents piston from being overextended under load.
- Special coating improves corrosion and abrasion resistance.
- Cylinders come standard with hardened swivel caps reducing the effects of off-center loading Single-Acting Locking Collar Cylinders.
- Equipped with 3/8" NPTF female half couplers.



CYLINDERS



Cyl. Cap. (tons)	Stroke	Order No.	Oil Cap. (cm <sup>3</sup> )	A Retracted Height (in.)	B Outside Dia. (in.)	C Piston Rod Dia. (in.)	D Bore Dia. (in.)	E Base to Port (in.)	F Nut Thickness (in.)	G Swivel Cap Protrusion (in.)	H Swivel Cap Dia. (in.)	Product Wt. (lbs.)
55	2	RC0552P	21.66	4.92	4.72	3.74	3.74	.75	.83	.24	3.62	24.25
100	1.75	RC1002P	36.43	5.39	6.5	5.12	5.12	.83	1.22	.31	4.96	48.50
155	1.75	RC1552P	55.23	5.83	8.07	6.30	6.30	1.06	1.50	.35	5.83	85.98
240	1.75	RC2402P	86.23	6.10	10.04	7.87	7.87	1.10	1.57	.39	6.18	130.07
380	1.75	RC3802P	134.74	7.01	12.60	9.84	9.84	1.38	1.97	.43	9.45	242.51
620	1.75	RC6202P	220.78	7.56	15.94	12.60	12.60	1.50	2.36	.39	11.61	425.49