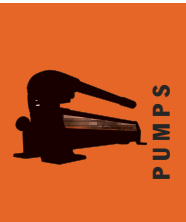


# ELECTRIC PUMP

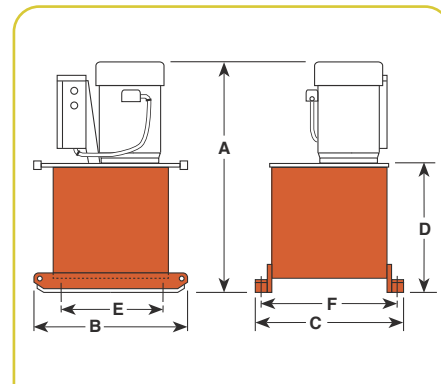
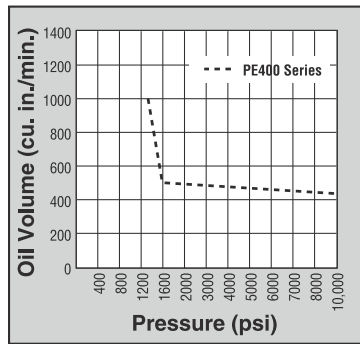
## PE400 Series

Up to 1,000 Ton  
420 cu. in./min.



### HIGH TONNAGE DOUBLE-ACTING CYLINDERS, SINGLE OR MULTIPLE CYLINDER APPLICATIONS. UP TO 1,000 TONS

- Two-speed high output pump delivers up to 5 gpm of oil.
- Low noise level of 73-80 dBA.
- Integral electrical shut-down feature prevents unintentional restarting of motor following an electrical service interruption. Over-current protection prevents damage to motor as a result of overheating.
- “Stop” and “Start” control buttons are 24 volt. PE4004 has a 4-way/3-position manual valve. The PE4004S has a 4-way/3-position solenoid valve with a 24 volt remote hand switch.
- External pressure relief valve is adjustable from 1,500 to 10,000 psi.
- Heavy duty 4" dia. casters assure easy maneuvering.
- 20 gallon (3,927 cu. in. usable) reservoir has a low oil level sight gauge.
- Powered by a dual voltage 10 hp, 3 phase, 1,725 rpm motor.
- 3 phase motor has all the electrical components necessary to operate the pump. The customer has no hidden charges when making purchase.
- Deliver 1,200 cu. in./min. of oil @ 200 psi, 420 cu. in./min. of oil @ 10,000 psi.



Pump No.	Max. Pressure Output (psi)	rpm	dBa at Idle and 10,000 (psi)	Amp Draw at 10,000 (psi)	Oil Del. (cu. in./min. @)				Dimensions		Prod. Wt. w/Oil (lbs.)				
					200 (psi)	1,200 (psi)	5,000 (psi)	10,000 (psi)	E Caster Mfg. (in.)	F Caster Mfg. (in.)					
PE4004	10,000	1,725	73/80	34 @230 V.	1,200	1,050	450	420	36 <sup>3</sup> / <sub>8</sub>	25	24	21 <sup>1</sup> / <sub>4</sub>	15 <sup>1</sup> / <sub>2</sub>	21 <sup>1</sup> / <sub>2</sub>	492
PE4004S	10,000	1,725	73/80	17 @460 V.	1,200	1,050	450	420	36 <sup>3</sup> / <sub>8</sub>	25	24	21 <sup>1</sup> / <sub>4</sub>	15 <sup>1</sup> / <sub>2</sub>	21 <sup>1</sup> / <sub>2</sub>	506

\* Add 5" and 8 lbs. when casters are mounted. (Units are supplied with four 4" dia. swivel casters.)

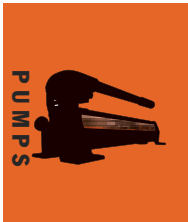


**PE4004S pump and RD3006 cylinder used in a special press which repairs damaged chain links for the shipping industry.**



**PE4004S**

**10,000 psi**



For use with Cyl. Type	Description	Order No.	Valve Type	Valve No.	Valve Function	Motor††	Reservoir Usable (cu. in.)
Double-Acting	10 hp pump with 20 gal. reservoir and manual valve.	<b>PE4004</b>	4-Way	9506	Advance Hold Return	10 hp, 208/230/460 volt* 60 Hz, 3 Phase	3,927†
Double-Acting	PE4004, except has solenoid operated remote valve.	<b>PE4004S</b>	4-Way	9512*	Advance Hold Return	10 hp, 208/230/460 volt* 60 Hz, 3 Phase	3,927†

\* Factory wired for this voltage. For 230V, 60Hz order PE4004S-230.

\*\* Solenoid valve with remote control.

† Usable oil is calculated with oil fill at recommended level at 2 1/4" below cover plate.

†† PE400 series available in 220/380V, 50Hz and 575V, 60Hz. Please specify when ordering. Example: PE4004-50-380 or PE4004-575.

**NOTE: Valves for spring return cylinders are available upon request. Consult the factory.**