

# PULLER SETS

## Hydraulic

17 1/2 & 30 Ton

17 1/2 & 50 Ton



**Note:** Wooden storage box No. 3084360R9 is provided with this set.  
40"L x 17"H x 24"D  
Metal storage boxes also available (see page 209).



2-jaw puller reaches through spokes of gear to grip hub. Hand pump supplies hydraulic power.



Flexible coupler is removed from electric motor shaft with 2-jaw puller.



Typical setup for removing sprocket drive pinion shaft. Puller screw is attached to shaft by threaded adapter. Shaft is now ready to be pulled out hydraulically.



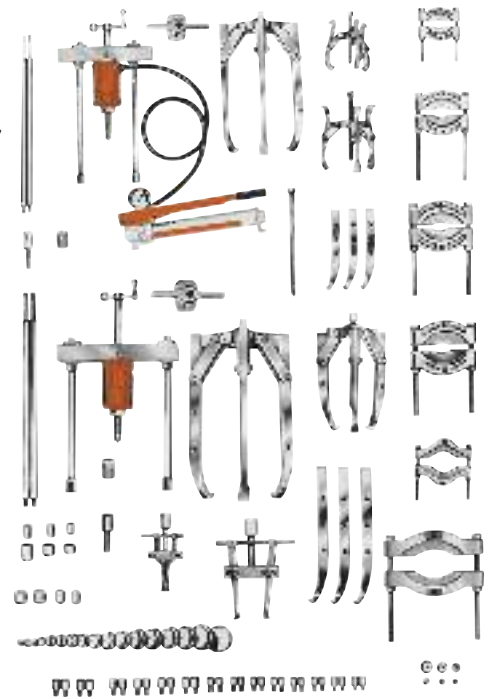
IPS3017

### 17 1/2 and 30 ton capacity puller sets

– These heavy-duty maintenance sets will more than pay for themselves, especially in saving you costly damage to parts. This set lets you tackle hundreds of applications where pushing and pulling are required.

**No. IPS3017** – 17 1/2 and 30 ton capacity manual and hydraulic puller set. Includes hydraulics, pullers, and accessories listed below. Wt., 537 lbs.

**No. IPS3017B** – Puller set with MB8 metal box. Wt., 563 lbs.



Order No.	Hydraulics	Order No.	Accessories
<b>P55</b>	Single-stage hyd. hand pump assembly	<b>24832</b>	Special puller forcing screw
<b>RT172</b>	17 1/2 ton center-hole twin cylinder w/ threaded insert	<b>8075</b>	Step plate adapter set
<b>RT302</b>	30 ton center-hole twin cylinder w/ threaded insert	<b>8076</b>	Step plate adapter set
<b>9798</b>	Hose half coupler	<b>8056</b>	Shaft protector set
<b>9767</b>	Hydraulic hose – 6'	<b>679</b>	Pulley pulling attachment
<b>9670</b>	Tee adapter	<b>680</b>	Pulley pulling attachment
<b>9059</b>	Pressure gauge	<b>1154</b>	Bearing cup pulling attach.
<b>Pullers</b>		<b>1166</b>	Bearing cup pulling attach.
<b>1062</b>	17 1/2 ton cap. hydraulic Push-Puller® w/ 16 1/2" legs	<b>1122</b>	Bearing pulling attachment
<b>1070</b>	30 ton cap. hydraulic Push-Puller® w/ 18" legs	<b>1123</b>	Bearing pulling attachment
<b>1066</b>	17 1/2 ton 3-jaw hyd. puller	<b>1126</b>	Bearing pulling attachment
<b>1074</b>	30 ton 3-jaw hyd. puller	<b>1130</b>	Bearing pulling attachment
<b>41224</b>	17 1/2 ton 2-jaw puller head	<b>Threaded Adapters</b>	
<b>41226</b>	30 ton 2-jaw puller head	<b>8005</b>	5/8" – 18 F. x 3/8" – 16 M. (2)
<b>1027</b>	Combination 2/3-jaw puller	<b>8006</b>	5/8" – 18 F. x 1/2" – 20 M. (2)
<b>1037</b>	Combination 2/3-jaw puller	<b>8007</b>	5/8" – 18 F. x 1/2" – 13 M. (2)
<b>1041</b>	Combination 2/3-jaw puller	<b>8010</b>	5/8" – 18 F. x 5/8" – 11 M. (2)
<b>43892</b>	Long jaws (3) for 1037	<b>8012</b>	1" – 14 F. x 5/8" – 18 M. (2)
<b>30902</b>	Long jaws (3) for 1041	<b>8013</b>	5/8" – 18 F. x 3/4" – 16 M. (2)
<b>1105</b>	22 1/2" legs for 1062	<b>8015</b>	5/8" – 18 F. x 3/4" – 10 M. (2)
<b>1111</b>	28" legs for 1070	<b>8017</b>	5/8" – 18 F. x 7/8" – 14 M. (2)
<b>24814</b>	Speed crank	<b>8018</b>	5/8" – 18 F. x 7/8" – 9 M. (2)
<b>27198</b>	Speed crank	<b>8019</b>	5/8" – 18 F. x 1" – 14 M. (2)
<b>28229</b>	Screw cap	<b>8020</b>	1" – 8 F. x 5/8" – 18 M. (1)
<b>28228</b>	Cylinder cap	<b>8021</b>	1" – 8 F. x 1" – 14 M. (1)
<b>32118</b>	Adjusting screw	<b>8025</b>	1 1/4" – 7 F. x 5/8" – 18 M. (2)
<b>34758</b>	Adjusting screw	<b>8027</b>	1 1/4" – 7 F. x 1" – 14 M. (2)
<b>34510</b>	Pushing adapter	<b>8036</b>	1" – 14 F. x 1" – 14 F. (2)
<b>201923</b>	Pushing adapter	<b>8038</b>	5/8" – 18 F. x 3/4" – 16 F. (2)
		<b>8044</b>	Female threaded adapter set

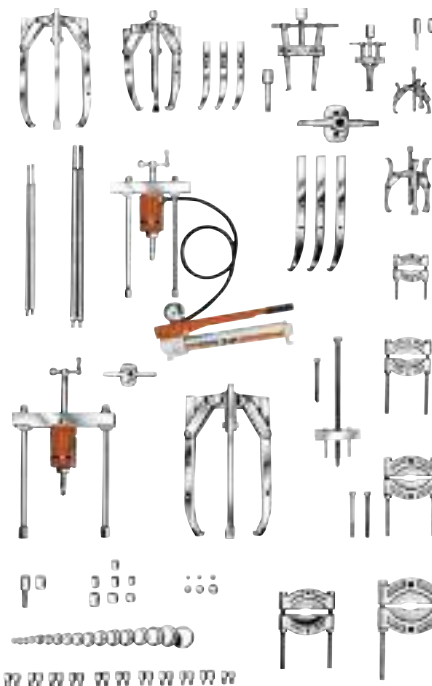
**CAUTION:** All the items shown may not withstand the full tonnage specified. Example: When an accessory with a 1 ton capacity is used with a 7 ton puller, the setup can be used only at a force of 1 ton.

**17½ and 50 ton capacity puller sets** – If your looking for a maintenance puller set that will handle a wide variety of applications, this is the one for you. The mechanical and hydraulic pullers and attachments are designed to handle most removing and installing jobs with a minimal amount of effort.

**No. IPS5017** – 17½ and 50 ton capacity manual and hydraulic puller set. Includes hydraulics, pullers, wooden storage box and accessories listed below. Wt., 892 lbs.

**No. IPS5017B** – Puller set with MB16 metal box. Wt., 915 lbs.

IPS5017

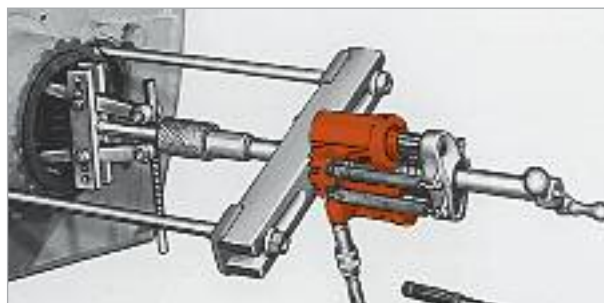


Order No.	Hydraulics	Order No.	Accessories
<b>P55</b>	Single-stage hyd. hand pump assembly	<b>8075</b>	Step plate adapter set
<b>RT172</b>	17½ ton center-hole twin cylinder w/ threaded insert	<b>8076</b>	Step plate adapter set
<b>RT503</b>	50 ton center-hole twin cylinder w/ threaded insert	<b>8056</b>	Shaft protector set
<b>9798</b>	Hose half coupler	<b>1154</b>	Bearing cup pulling attach.
<b>9767</b>	Hydraulic hose – 6'	<b>1166</b>	Bearing cup pulling attach.
<b>9670</b>	Tee adapter	<b>1122</b>	Bearing pulling attachment
<b>9059</b>	Pressure gauge	<b>1123</b>	Bearing pulling attachment
	<b>Pullers</b>	<b>1126</b>	Bearing pulling attachment
<b>1062</b>	17½ ton cap. hydraulic Push-Puller® w/ 16½" legs	<b>1127</b>	Bearing pulling attachment
<b>1076</b>	50 ton cap. hydraulic Push-Puller® w/ 24" legs	<b>1130</b>	Bearing pulling attachment
<b>1066</b>	17½ ton 3-jaw hyd. puller	<b>34479</b>	Reducing adapter for 1166
<b>1080</b>	50 ton 3-jaw hyd. puller	<b>10215</b>	Hex nut; ¾" – 16 (2)
<b>41224</b>	17½ ton 2-jaw puller head	<b>24829</b>	Short bolt
<b>50449</b>	50 ton 2-jaw puller head		<b>Threaded Adapters</b>
<b>1027</b>	Combination 2/3-jaw puller	<b>8005</b>	⅝" – 18 F. x ⅜" – 16 M. (2)
<b>1037</b>	Combination 2/3-jaw puller	<b>8006</b>	⅝" – 18 F. x ½" – 20 M. (2)
<b>1041</b>	Combination 2/3-jaw puller	<b>8007</b>	⅝" – 18 F. x ½" – 13 M. (2)
<b>43892</b>	Long jaws (3) for 1037	<b>8010</b>	⅝" – 18 F. x ⅝" – 11 M. (2)
<b>30902</b>	Long jaws (3) for 1041	<b>8013</b>	⅝" – 18 F. x ¾" – 16 M. (2)
<b>1105</b>	22½" legs for 1062	<b>8015</b>	⅝" – 18 F. x ¾" – 10 M. (2)
<b>1113</b>	34" legs for 1076	<b>8019</b>	⅝" – 18 F. x 1" – 14 M. (2)
<b>24814</b>	Speed crank	<b>8020</b>	1" – 8 F. x ⅝" – 18 M. (1)
<b>29595</b>	Speed crank	<b>8021</b>	1" – 8 F. x 1" – 14 M. (1)
<b>28228</b>	Screw cap	<b>8023</b>	1¼" – 12 F. x 1" – 14 M. (2)
<b>28230</b>	Cylinder cap	<b>8028</b>	1⅝" – 5½ F. x 1" – 8 M. (1)
<b>32118</b>	Adjusting screw	<b>8029</b>	1⅝" – 5½ F. x 1" – 14 M. (1)
<b>32698</b>	Adjusting screw	<b>8038</b>	⅝" – 18 F. x ¾" – 16 F. (1)
<b>34755</b>	Pushing adapter	<b>8044</b>	Female threaded adapter set
<b>201923</b>	Pushing adapter		
<b>7392</b>	Gear and pulley puller		
<b>24833</b>	Forcing screw for 7392		

**CAUTION:** All the items shown may not withstand the full tonnage specified. Example: When an accessory with a 1 ton capacity is used with a 7 ton puller, the setup can be used only at a force of 1 ton.



**Note:** Wooden storage box No. 3084360R9 is provided with this set. 45"L x 22½"H x 30"D  
Metal storage boxes also available (see page 209).



Combination of 50 ton capacity Push-Puller and cup pulling attachment simplifies the removal of a final drive axle seal.



Hydraulically powered Push-Puller removes drive wheel. Pulling attachment is used to provide gripping surface.



3-jaw puller provides grip while hydraulic hand pump provides power to push shaft from housing. Shaft protector is used on end of puller screw.

